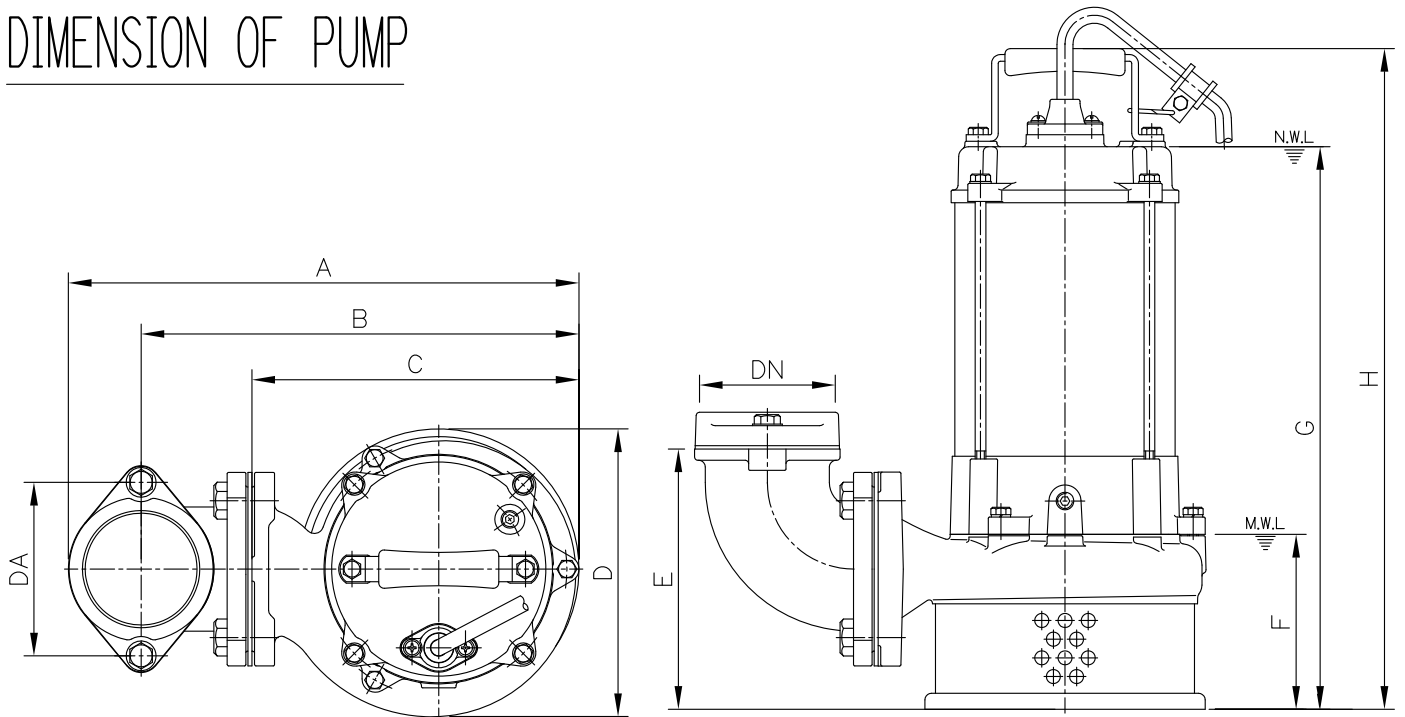


MODEL: A-32T;A-33

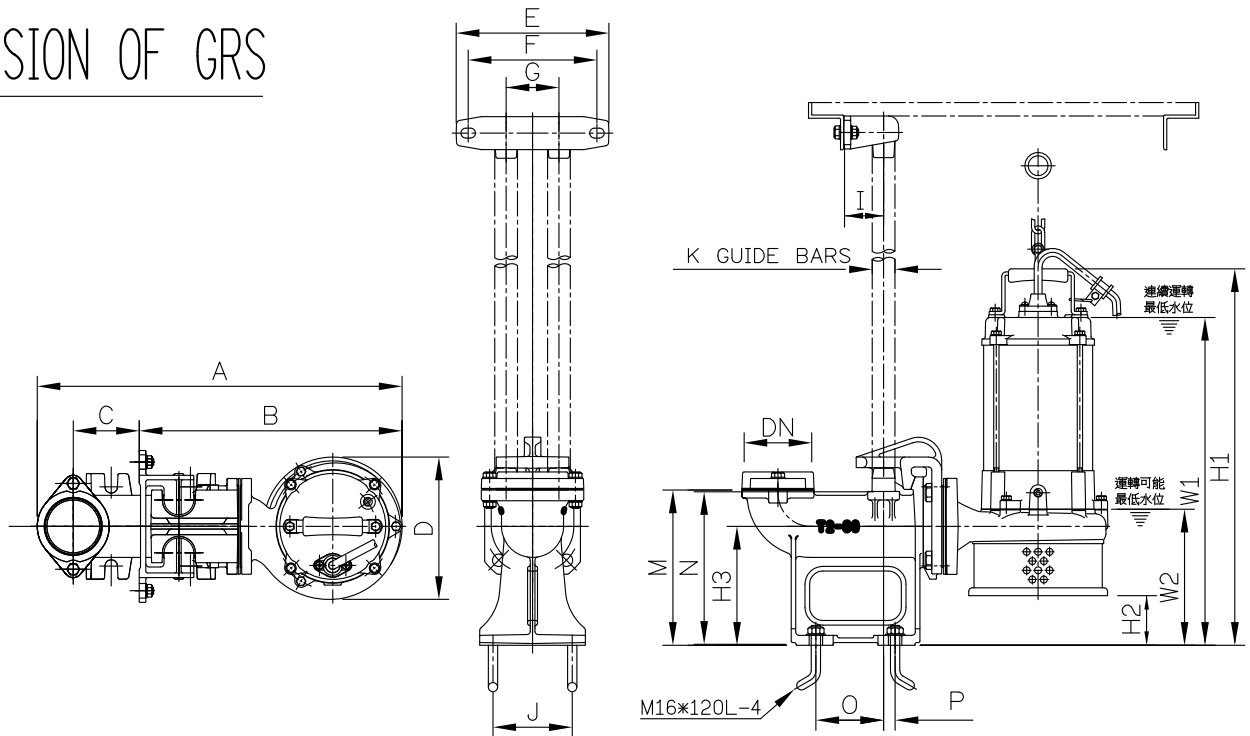
DIMENSION OF PUMP



Model	DN	DA	A	B	C	D	E	F	G	H
A-32T	80	130	385	328	216	247	195	132	421(499)	485(573)
A-33	80	130	385	328	216	247	195	132	422(500)	495(575)

Remark: ()Dimensions in 1∅
 N.W.L: Normal water level
 M.W.L: Minimum water level

DIMENSION OF GRS



Model	DN	A	B	C	D	E	F	G	I	J	K	M	N	O	P	W1	W2	H1	H2	H3
A-32T	80	553	393	100	216	230	195	80	60	120	1,1/4	235	233	103	18	483(561)	218	547(635)	62	180
A-33	80	553	393	100	216	230	195	80	60	120	1,1/4	235	233	103	18	442(570)	117	566(646)	70	180