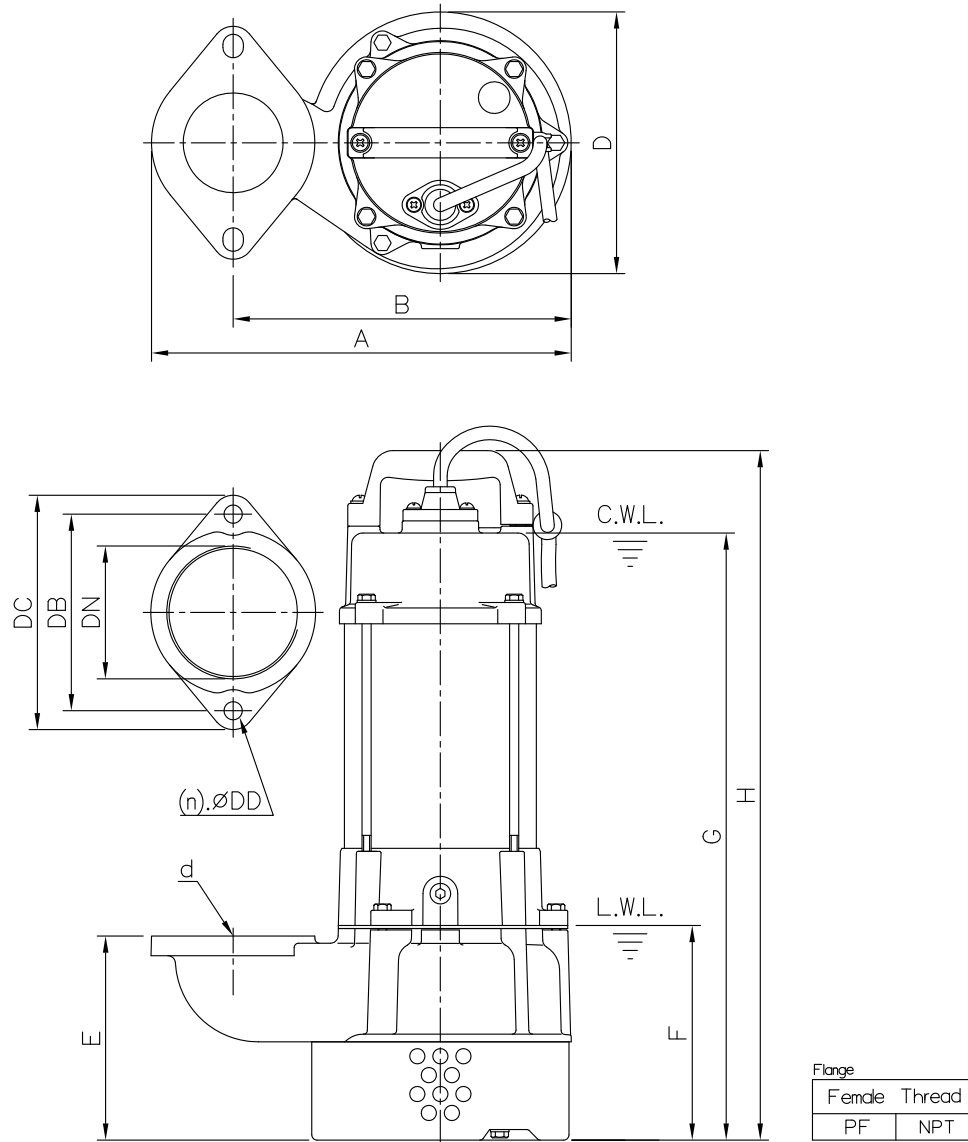


DIMENSIONS

No: S3A00208030-00

MODEL: A-31

1Ø & 3Ø



Dimensions-mm

Weight:Kg

Model	d	A	B	D	E	F	G	H	WT1	Elbow (Flange) Set	DN	DB	DC	DD	(n)QTY	WT2
A-31 1Ø	80	278	224	173	135	130	402	456	18	EF3-130	80	130	155	12	2	1
A-31 3Ø	80	278	224	173	135	130	402	456	17	EF3-130	80	130	155	12	2	1

Dimensions-inch

Weight:Lbs

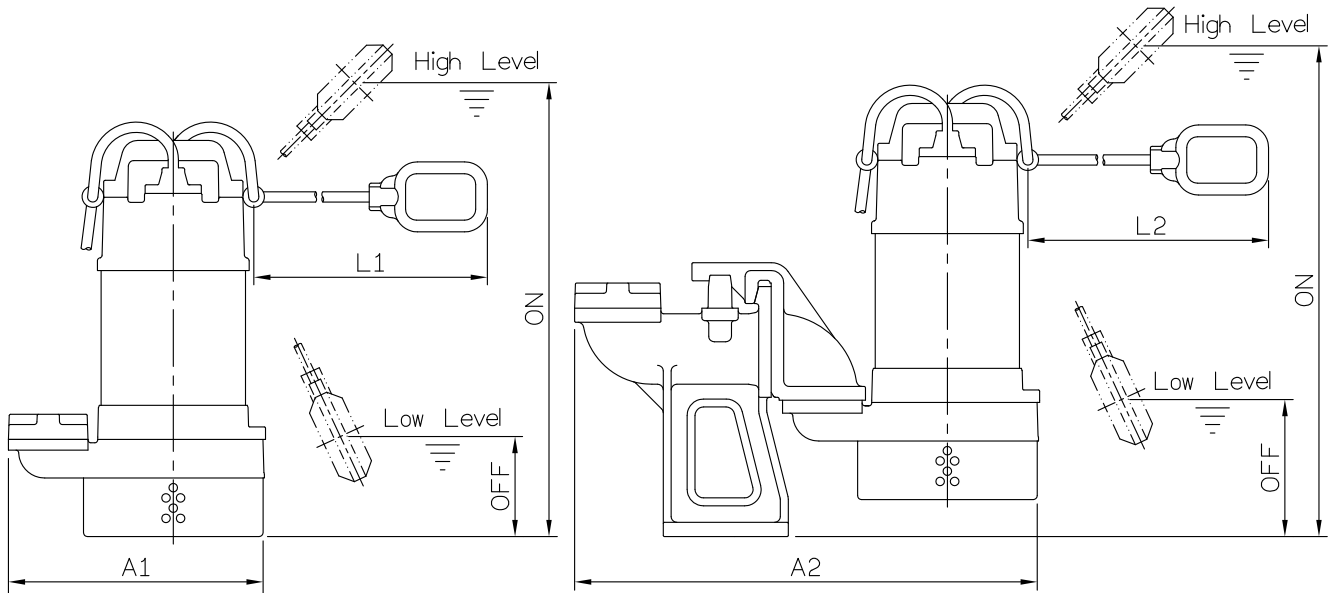
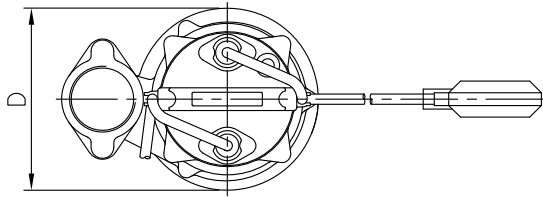
Model	d	A	B	D	E	F	G	H	WT1	Elbow (Flange) Set	DN	DB	DC	DD	(n)QTY	WT2
A-31 1Ø	3	10 ¹⁵ / ₁₆	8 ¹³ / ₁₆	6 ¹³ / ₁₆	5 ⁵ / ₁₆	5 ¹ / ₈	15 ¹³ / ₁₆	17 ¹⁵ / ₁₆	40	EF3-130	3	5 ¹ / ₈	6 ¹ / ₈	1/2	2	2
A-31 3Ø	3	10 ¹⁵ / ₁₆	8 ¹³ / ₁₆	6 ¹³ / ₁₆	5 ⁵ / ₁₆	5 ¹ / ₈	15 ¹³ / ₁₆	17 ¹⁵ / ₁₆	37	EF3-130	3	5 ¹ / ₈	6 ¹ / ₈	1/2	2	2

C.W.L.:Continuous Running Water Level WT1:Pump Weight(Without Cable)
 L.W.L.:Lowest Running Water Level WT2:Elbow Set Weight

DIMENSIONS

No: SOA000000F-00

Float Switch Pumps Model



Model	Pump Only											With GRS										
	Dimensions-mm					Weight-kg		Dimensions-inch					Weight-lb		Dimensions-mm				Dimensions-inch			
	A1	D	L1	ON	OFF	WT1	WT2	A1	D	L1	ON	OFF	WT1	WT2	A2	L2	ON	OFF	A2	L2	ON	OFF
A-05AF 1ø	225	161	300	510	88	12.5	0.5	8 7/8	6 5/16	11 13/16	20 1/16	3 1/16	27.5	1	408	300	543	121	16 1/16	11 13/16	21 3/8	4 3/4
A-05BF 1ø	225	161	300	510	88	13.5	0.5	8 7/8	6 5/16	11 13/16	20 1/16	3 1/16	30	1	408	300	543	121	16 1/16	11 13/16	21 3/8	4 3/4
A-05LF 1ø	245	173	380	650	100	16.5	0.5	9 5/8	6 3/16	14 15/16	25 9/16	3 15/16	36	1	425	380	660	110	16 3/4	14 15/16	26	4 5/16
A-21F 1ø	245	173	380	650	100	17.5	0.5	9 5/8	6 3/16	14 15/16	25 9/16	3 15/16	38.5	1	425	380	660	110	16 3/4	14 15/16	26	4 5/16
A-31F 1ø	278	173	380	665	130	18.5	1	10 9/16	6 3/16	14 15/16	26 3/16	5 1/8	41	2	-	-	-	-	-	-	-	-
A-32TF 1ø	388	216	455	860	132	37.5	5	15 1/4	8 1/2	17 15/16	33 7/8	5 3/8	83	11	552	455	935	207	21 3/4	17 15/16	36 3/16	8 1/8
A-23F 1ø	279	209	455	865	130	38.5	0.5	11	8 1/4	17 15/16	34 1/16	5 1/8	85	1	574	455	904	169	22 5/8	17 15/16	35 1/16	6 5/8
A-33F 1ø	388	216	455	870	132	39.5	5	15 1/4	8 1/2	17 15/16	34 1/4	5 3/16	87	11	552	455	945	207	21 3/4	17 15/16	37 1/16	8 3/8
A-43F 1ø	384	216	455	870	130	44.5	6	15 1/8	8 1/2	17 15/16	34 1/4	5 1/8	98	13	653	455	945	205	25 1/16	17 15/16	37 1/16	8 3/16
A-05BF 3ø	225	161	300	510	88	13	0.5	8 7/8	6 5/16	11 13/16	20 1/16	3 1/16	29	1	408	300	543	121	16 1/16	11 13/16	21 3/8	4 3/4
A-05LF 3ø	245	173	380	650	100	15	0.5	9 5/8	6 3/16	14 15/16	25 9/16	3 15/16	33	1	425	380	660	110	16 3/4	14 15/16	26	4 5/16
A-21F 3ø	245	173	380	650	100	16	0.5	9 5/8	6 3/16	14 15/16	25 9/16	3 15/16	35	1	425	380	660	110	16 3/4	14 15/16	26	4 5/16
A-31F 3ø	278	173	380	665	130	18	1	10 9/16	6 3/16	14 15/16	26 3/16	5 1/8	40	2	-	-	-	-	-	-	-	-
A-32TF 3ø	388	216	510	840	132	34.5	5	15 1/4	8 1/2	20 1/16	33 1/16	5 3/16	76	11	552	510	915	207	21 3/4	20 1/16	36	8 3/8
A-23F 3ø	279	209	510	835	130	34.5	0.5	11	8 1/4	20 1/16	32 7/8	5 1/8	76	1	574	510	874	169	22 5/8	20 1/16	34 1/16	6 5/8
A-33F 3ø	388	216	510	840	132	35.5	5	15 1/4	8 1/2	20 1/16	33 1/16	5 3/16	78	11	552	510	915	207	21 3/4	20 1/16	36	8 3/8
A-43F 3ø	384	216	510	840	130	41.5	6	15 1/8	8 1/2	20 1/16	33 1/16	5 1/8	91.5	13	653	510	915	205	25 1/16	20 1/16	36	8 3/16

WT1:Pump Weight(including float switch)
WT2:Elbow Set Weight