

Dimensions--mm

Weight:kg

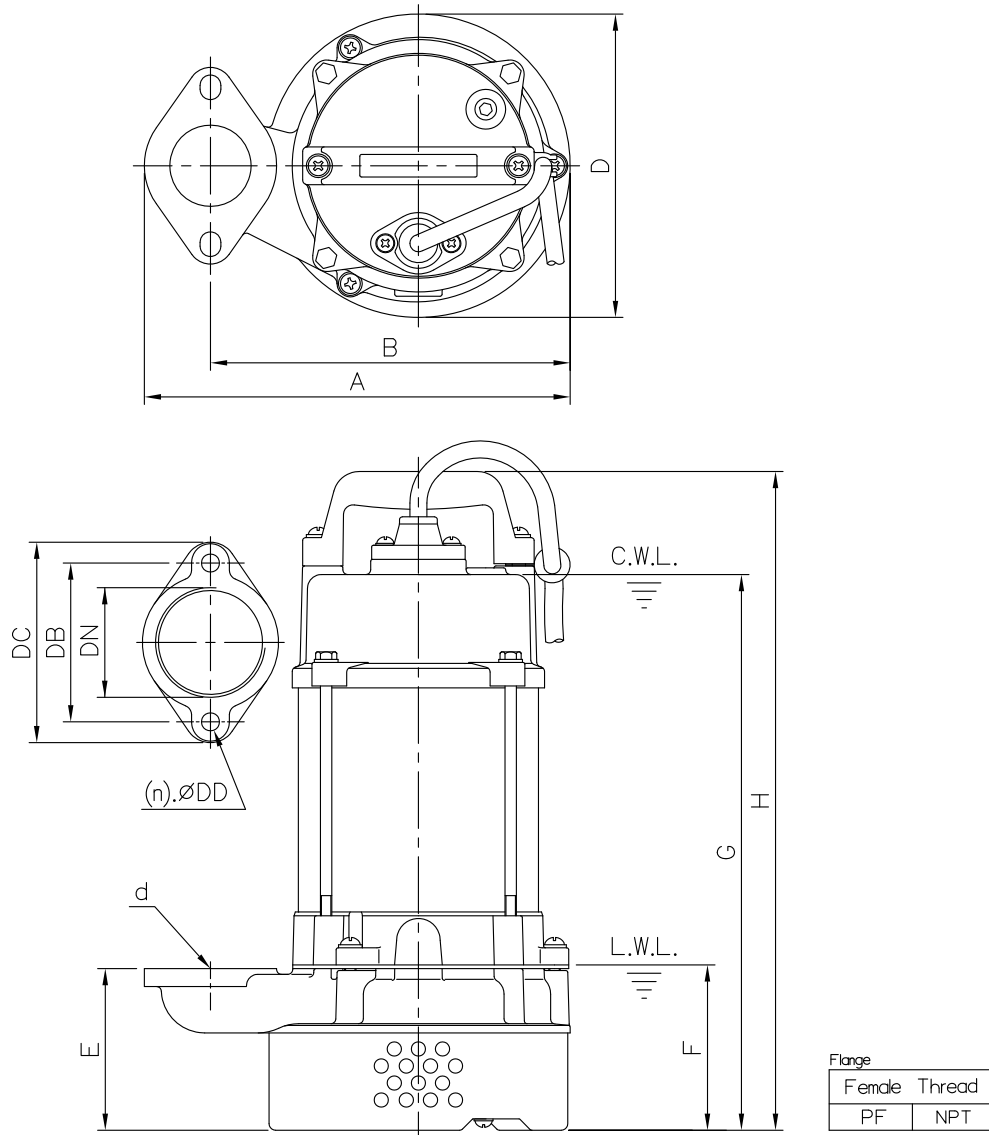
Model	d	A	B	D	E	F	G	H	WT1	Elbow (Flange) Set	DN	DB	DC	DD	(n)QTY	WT2
A-05A 1ø	50	225	190	161	86	88	294	349	12	EF2-84	50	84	106	10	2	1

Dimensions--inch

Weight:lb

Model	d	A	B	D	E	F	G	H	WT1	Elbow (Flange) Set	DN	DB	DC	DD	(n)QTY	WT2
A-05A 1ø	2	8 ⁷ / ₈	7 ¹ / ₂	6 ³ / ₁₆	3 ³ / ₈	3 ⁷ / ₁₆	11 ¹ / ₁₆	13 ³ / ₄	26	EF2-84	2	3 ³ / ₁₆	4 ¹ / ₁₆	3	2	1

C.W.L.:Continuous Running Water Level WT1:Pump Weight(Without Cable)
 L.W.L.:Lowest Running Water Level WT2:Elbow Set Weight



Dimensions--mm

Weight:kg

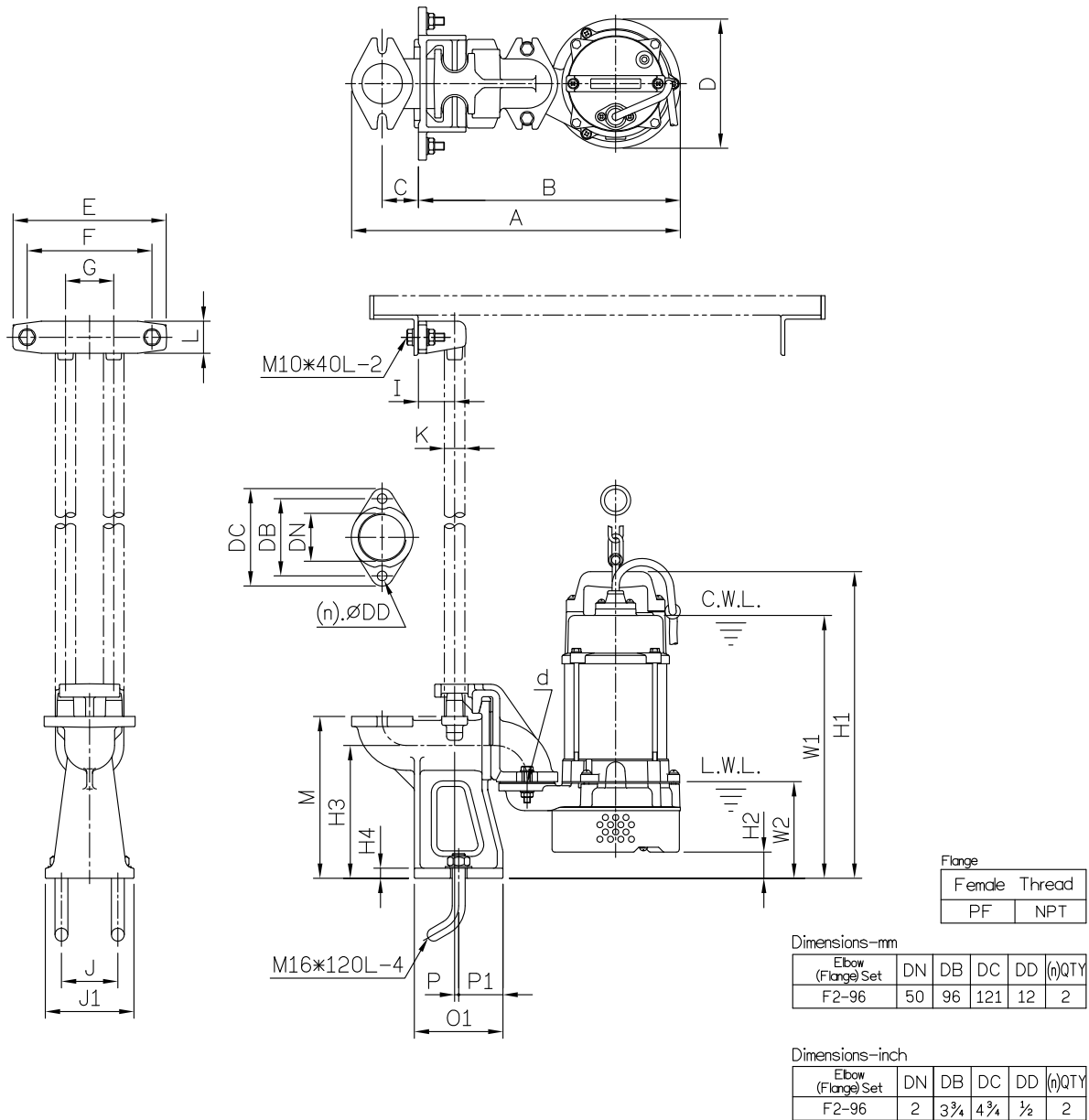
Model	d	A	B	D	E	F	G	H	WT1	Elbow (Flange) Set	DN	DB	DC	DD	(n)QTY	WT2
A-05A 3Ø	50	225	190	161	86	88	294	349	11	EF2-84	50	84	106	10	2	1

Dimensions--inch

Weight:lb

Model	d	A	B	D	E	F	G	H	WT1	Elbow (Flange) Set	DN	DB	DC	DD	(n)QTY	WT2
A-05A 3Ø	2	8 $\frac{7}{8}$	7 $\frac{1}{2}$	6 $\frac{3}{16}$	3 $\frac{3}{8}$	3 $\frac{11}{16}$	11 $\frac{1}{16}$	13 $\frac{3}{4}$	24	EF2-84	2	3 $\frac{3}{16}$	4 $\frac{1}{16}$	$\frac{3}{8}$	2	1

C.W.L.:Continuous Running Water Level WT1:Pump Weight(Without Cable)
L.W.L.:Lowest Running Water Level WT2:Elbow Set Weight



Dimensions-mm

Weight:kg

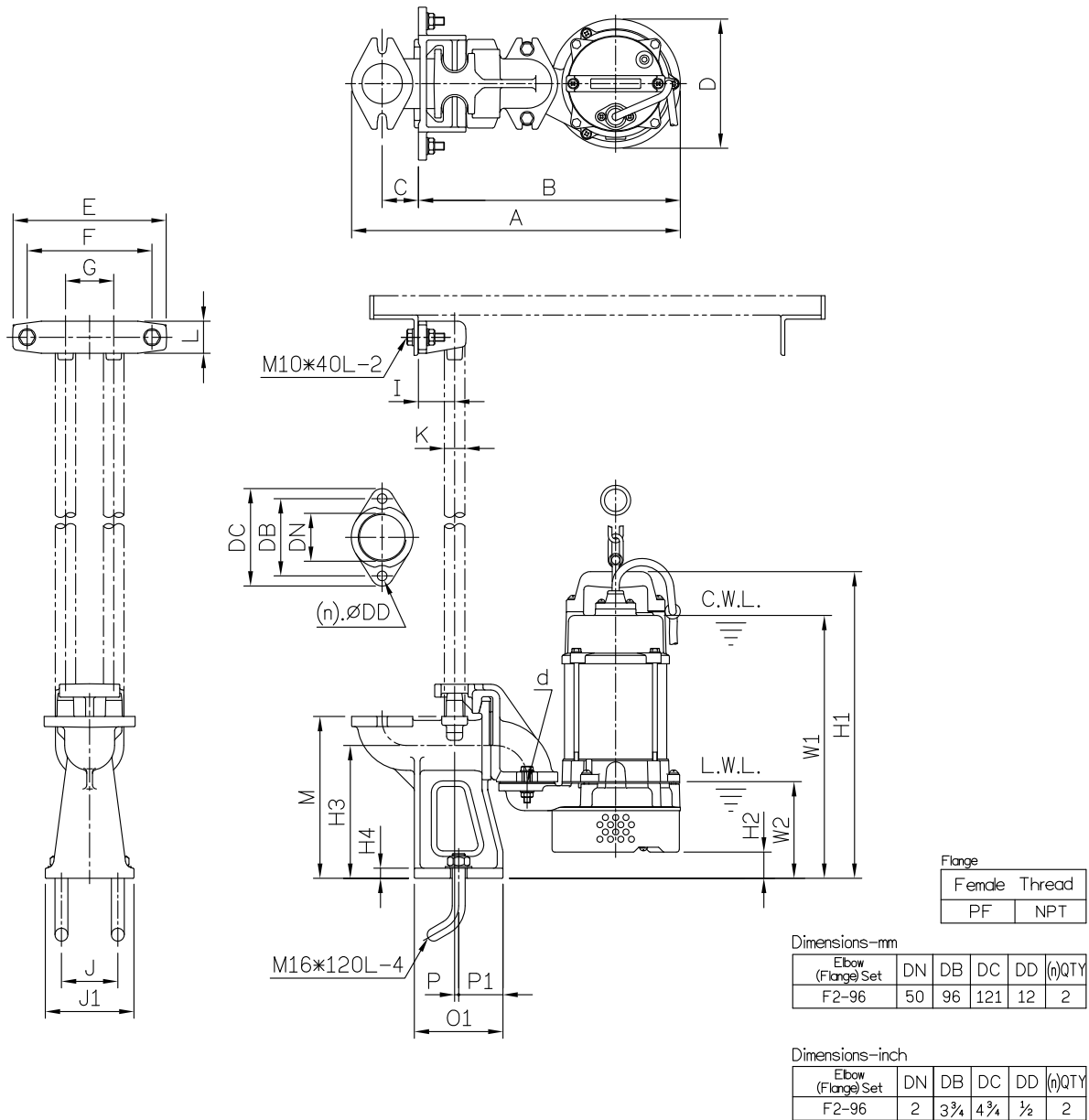
Model	d	A	B	C	D	E	F	G	I	J	J1	K	L	M	O1	P	P1	W1	W2	H1	H2	H3	H4	WT1	GRS Set	WT2
A-05A 1Ø	50	408	325	45	161	190	155	60	45	70	110	3/4"	40	201	110	5	55	327	120	381	33	165	13	12	T2-50	9

Dimensions-inch

Weight:lb

Model	d	A	B	C	D	E	F	G	I	J	J1	K	L	M	O1	P	P1	W1	W2	H1	H2	H3	H4	WT1	GRS Set	WT2
A-05A 1Ø	2	16 1/8	12 3/8	1 3/4	6 5/16	7 1/2	6 1/8	2 3/8	1 3/4	2 3/4	4 5/16	3/4	1 5/8	7 7/16	4 5/16	3/16	2 1/16	12 7/8	4 3/4	15	1 1/16	6 1/2	1/2	26	T2-50	19

C.W.L.:Continuous Running Water Level WT1:Pump Weight(Without Cable)
 L.W.L.:Lowest Running Water Level WT2:GRS Set Weight



Dimensions-mm

Weight:kg

Model	d	A	B	C	D	E	F	G	I	J	J1	K	L	M	O1	P	P1	W1	W2	H1	H2	H3	H4	WT1	GRS Set	WT2
A-05A 3Ø	50	408	325	45	161	190	155	60	45	70	110	3/4"	40	201	110	5	55	327	120	381	33	165	13	11	T2-50	9

Dimensions-inch

Weight:lb

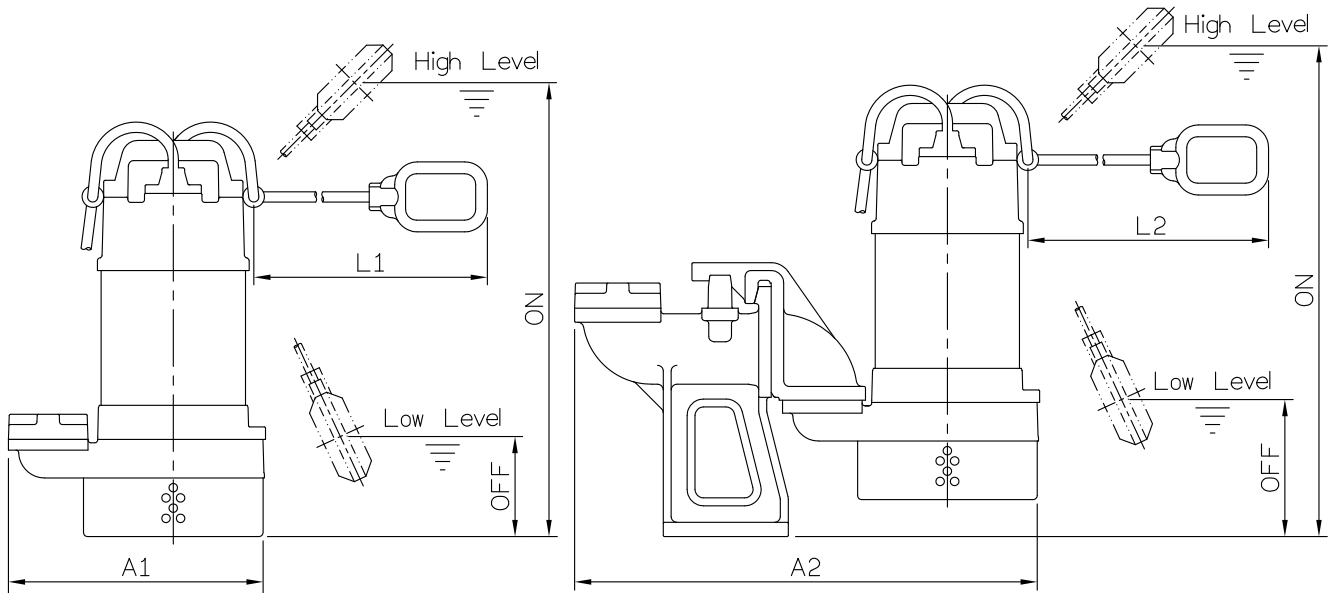
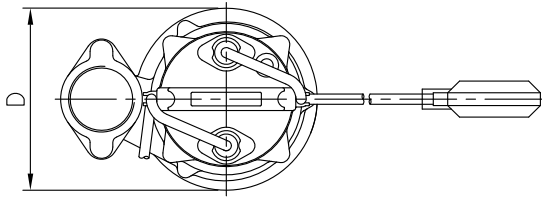
Model	d	A	B	C	D	E	F	G	I	J	J1	K	L	M	O1	P	P1	W1	W2	H1	H2	H3	H4	WT1	GRS Set	WT2
A-05A 3Ø	2	16 1/8	12 3/8	1 3/4	6 5/16	7 1/2	6 1/8	2 3/8	1 3/4	2 3/4	4 5/16	3/4	1 5/8	7 7/16	4 5/16	3/16	2 1/16	12 7/8	4 3/4	15	1 1/16	6 1/2	1/2	24	T2-50	19

C.W.L.:Continuous Running Water Level WT1:Pump Weight(Without Cable)
 L.W.L.:Lowest Running Water Level WT2:GRS Set Weight

DIMENSIONS

No: SOA000000F-00

Float Switch Pumps Model



Model	Pump Only											With GRS										
	Dimensions-mm					Weight-kg		Dimensions-inch					Weight-lb		Dimensions-mm				Dimensions-inch			
	A1	D	L1	ON	OFF	WT1	WT2	A1	D	L1	ON	OFF	WT1	WT2	A2	L2	ON	OFF	A2	L2	ON	OFF
A-05AF 1ø	225	161	300	510	88	12.5	0.5	8 7/8	6 5/16	11 13/16	20 1/16	3 1/16	27.5	1	408	300	543	121	16 1/16	11 13/16	21 3/8	4 3/4
A-05BF 1ø	225	161	300	510	88	13.5	0.5	8 7/8	6 5/16	11 13/16	20 1/16	3 1/16	30	1	408	300	543	121	16 1/16	11 13/16	21 3/8	4 3/4
A-05LF 1ø	245	173	380	650	100	16.5	0.5	9 5/8	6 3/16	14 15/16	25 9/16	3 15/16	36	1	425	380	660	110	16 3/4	14 15/16	26	4 5/16
A-21F 1ø	245	173	380	650	100	17.5	0.5	9 5/8	6 3/16	14 15/16	25 9/16	3 15/16	38.5	1	425	380	660	110	16 3/4	14 15/16	26	4 5/16
A-31F 1ø	278	173	380	665	130	18.5	1	10 9/16	6 3/16	14 15/16	26 3/16	5 1/8	41	2	-	-	-	-	-	-	-	-
A-32TF 1ø	388	216	455	860	132	37.5	5	15 1/4	8 1/2	17 15/16	33 7/8	5 3/8	83	11	552	455	935	207	21 3/4	17 15/16	36 3/16	8 1/8
A-23F 1ø	279	209	455	865	130	38.5	0.5	11	8 1/4	17 15/16	34 1/16	5 1/8	85	1	574	455	904	169	22 5/8	17 15/16	35 9/16	6 5/8
A-33F 1ø	388	216	455	870	132	39.5	5	15 1/4	8 1/2	17 15/16	34 1/4	5 3/16	87	11	552	455	945	207	21 3/4	17 15/16	37 1/16	8 3/8
A-43F 1ø	384	216	455	870	130	44.5	6	15 1/8	8 1/2	17 15/16	34 1/4	5 1/8	98	13	653	455	945	205	25 1/16	17 15/16	37 1/16	8 3/16
A-05BF 3ø	225	161	300	510	88	13	0.5	8 7/8	6 5/16	11 13/16	20 1/16	3 1/16	29	1	408	300	543	121	16 1/16	11 13/16	21 3/8	4 3/4
A-05LF 3ø	245	173	380	650	100	15	0.5	9 5/8	6 3/16	14 15/16	25 9/16	3 15/16	33	1	425	380	660	110	16 3/4	14 15/16	26	4 5/16
A-21F 3ø	245	173	380	650	100	16	0.5	9 5/8	6 3/16	14 15/16	25 9/16	3 15/16	35	1	425	380	660	110	16 3/4	14 15/16	26	4 5/16
A-31F 3ø	278	173	380	665	130	18	1	10 9/16	6 3/16	14 15/16	26 3/16	5 1/8	40	2	-	-	-	-	-	-	-	-
A-32TF 3ø	388	216	510	840	132	34.5	5	15 1/4	8 1/2	20 1/16	33 1/16	5 3/16	76	11	552	510	915	207	21 3/4	20 1/16	36	8 3/8
A-23F 3ø	279	209	510	835	130	34.5	0.5	11	8 1/4	20 1/16	32 7/8	5 1/8	76	1	574	510	874	169	22 5/8	20 1/16	34 1/16	6 5/8
A-33F 3ø	388	216	510	840	132	35.5	5	15 1/4	8 1/2	20 1/16	33 1/16	5 3/16	78	11	552	510	915	207	21 3/4	20 1/16	36	8 3/8
A-43F 3ø	384	216	510	840	130	41.5	6	15 1/8	8 1/2	20 1/16	33 1/16	5 5/8	91.5	13	653	510	915	205	25 1/16	20 1/16	36	8 3/16

WT1:Pump Weight(including float switch)
WT2:Elbow Set Weight