

# TECHNICAL DATA

L

Date 12/22/15

Series LA-28100

## MOTOR SPECIFICATIONS

Motor Design	Air Filled
Applications	Waste Water
Insulation Class	Class F
Maximum Liquid Temp	0-40 C ( 32 - 104 F )
Frequency	60 HZ
RPM	585

## PUMP & MOTOR DATA

Impeller	Mix Flow
Solid	1"
Discharge	28"
Motor	12 Pole
KW /Hp	75 / 005 HP
Phase	3
Cable	VCT or SJOW/SOW 33 Ft
Protection	Auto Cut

## MATERIALS OF CONSTRUCTION

Motor Housing	FC200
Impeller	ALBC3
Rotor	SUS403
Casing	SUS304
O-Rings	BUNA"N"
Mechanical Seal	Silicon/Silicon
	Carbon /Ceramic

## DIMENSIONS, WEIGHT

Pump weight	
Maximum Submergence	100 Ft
Optional	

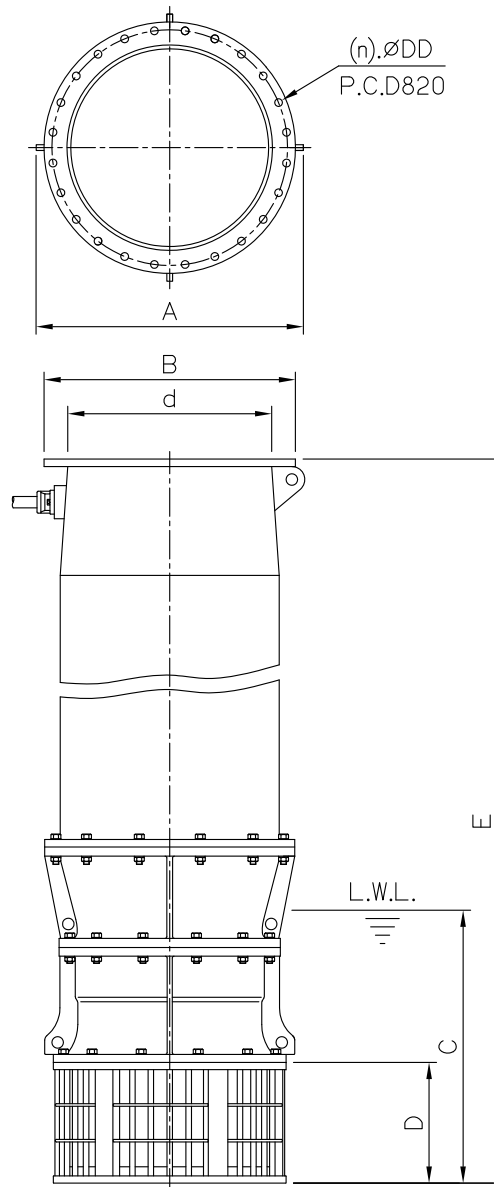
Model	L300A	1Ph	1Ph	3 Ph	3 Ph	3 Ph
		115	230	230	460	575
Amps					155.3	

**DIMENSIONS**

**No: SSLA0AG5031-00**

**MODEL: LA-2875 & LA-28100 (Stand types)**

**3Ø**



Dimensions-mm

Weight:kg

Model	d	A	B	C	D	E	DD	(n)QTY	WT1
LA-2875	700	930	875	950	420	2720	27	24	2060
LA-28100	700	930	875	950	420	2720	27	24	2130

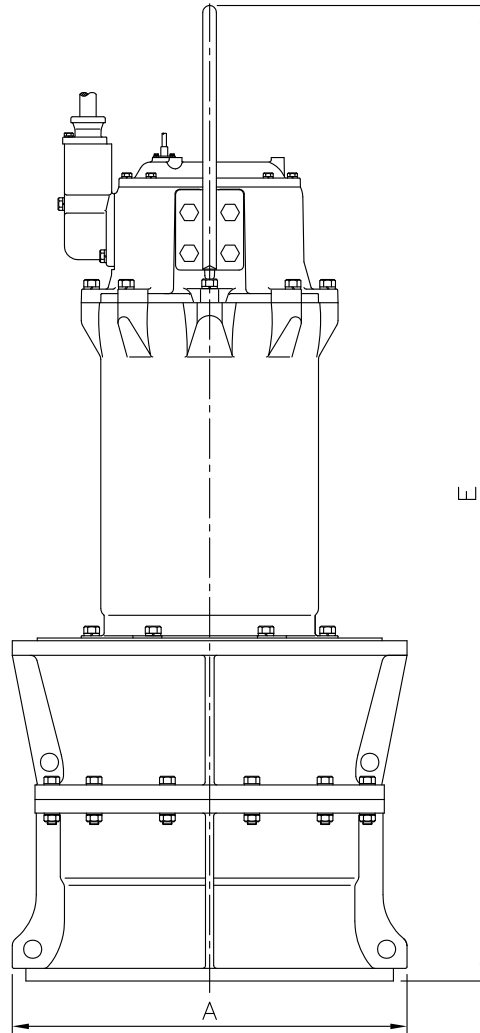
Dimensions-inch

Weight:lb

Model	d	A	B	C	D	E	DD	(n)QTY	WT1
LA-2875	28	36 <sup>5</sup> / <sub>16</sub>	34 <sup>1</sup> / <sub>16</sub>	37 <sup>3</sup> / <sub>8</sub>	16 <sup>3</sup> / <sub>16</sub>	107 <sup>1</sup> / <sub>16</sub>	1 <sup>1</sup> / <sub>16</sub>	24	4542
LA-28100	28	36 <sup>5</sup> / <sub>16</sub>	34 <sup>1</sup> / <sub>16</sub>	37 <sup>3</sup> / <sub>8</sub>	16 <sup>3</sup> / <sub>16</sub>	107 <sup>1</sup> / <sub>16</sub>	1 <sup>1</sup> / <sub>16</sub>	24	4696

L.W.L.:Lowest Running Water Level

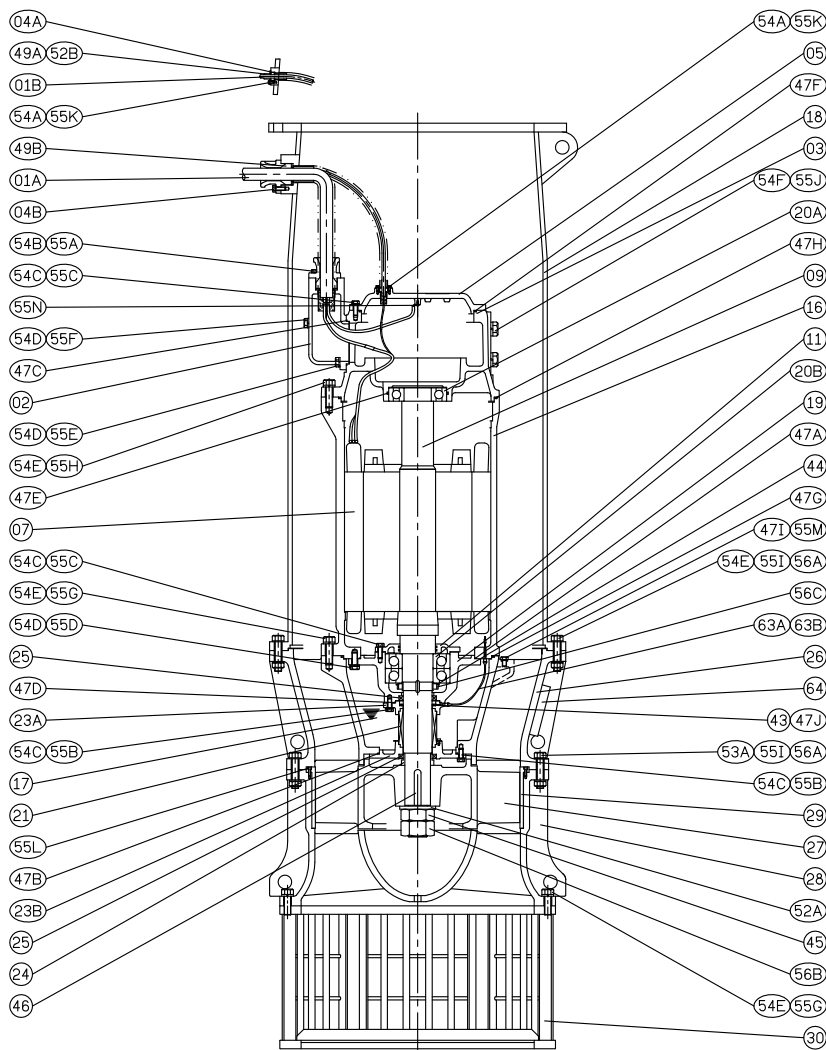
WT1:Pump Weight(Without Cable)



Model	Dimensions-mm		Weight:kg
	A	E	WT1
LA-2875	870	2150	1530
LA-28100	870	2150	1600

Model	Dimensions-inch		Weight:lb
	A	E	WT1
LA-2875	34 $\frac{1}{4}$	84 $\frac{5}{8}$	3373
LA-28100	34 $\frac{1}{4}$	84 $\frac{5}{8}$	3527

WT1: Pump weight(Without Cable)



No.	Part name	Material	QTY	Remark
01	Cable		3	
03	Upper cover	FC200	1	
05	Outlet disk	FC200	1	
07	Stator		1	
09	Shaft end	SUS420J2	1	
11	Bearing fixer	FC200	1	
16	Motor frame	FC200	1	
17	Lubricant			
18	Outer cover	SS400	1	
19	Bearing bracket	FC200	1	
20A	Bearing		1	
20B	Bearing		1	
21	M.seal	SIC / SIC & SIC / SIC	1	

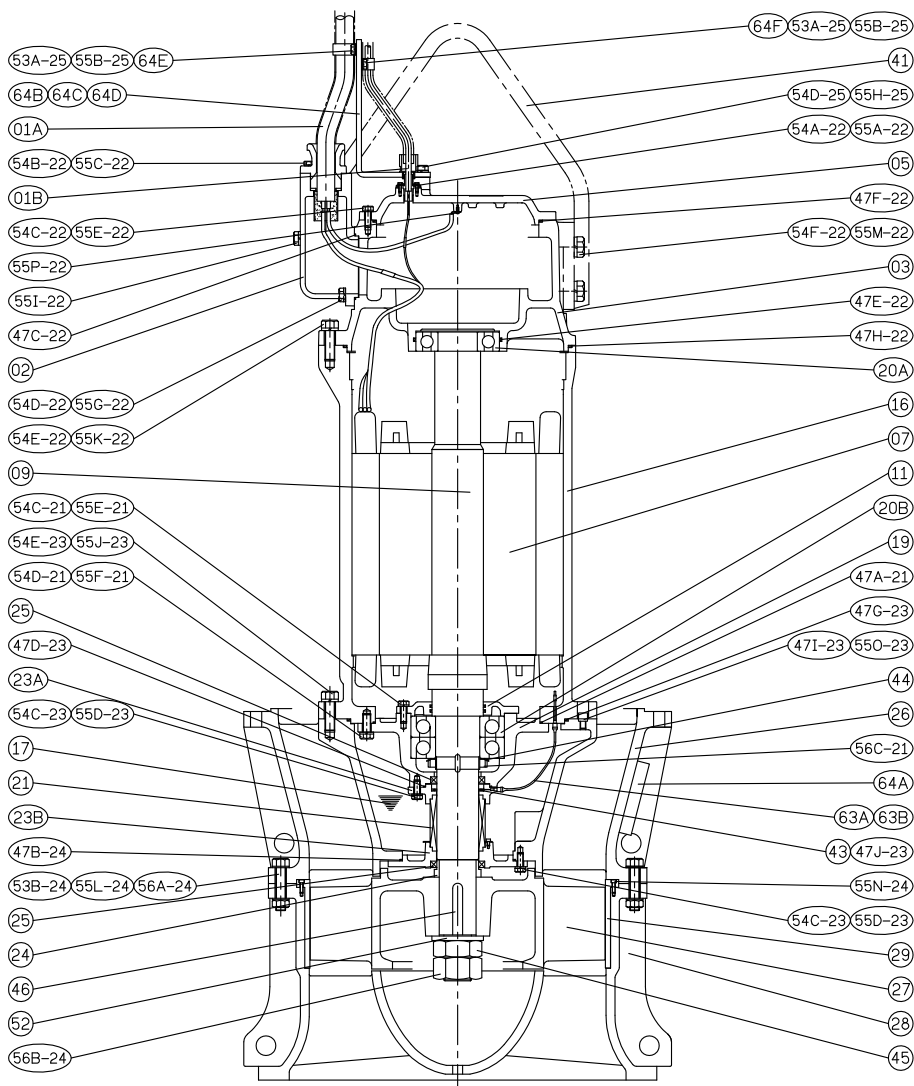
No.	Part name	Material	QTY	Remark
23A	M. seal bracket	FC200	1	
23B	M. seal bracket	FC200	1	
24	Oil seal bush	SUS304	1	
25	Oil seal	NBR	2	
26	Casing	FC200	1	
27	Impeller	SCS13	1	
28	Casing cover	FC200	1	
29	Wear ring	ALBC3	1	
30	Footing	SS400	1	
43	Moisture sensor		1	
46	Impeller key	SUS304	1	
47	Packing			
64	Sacrificial aluminum anode plate	Al	1	

**SECTIONAL VIEWS**

**No: 0SLA0AG5030-00**

**MODEL: LA-2875 & LA-28100 (Well types)**

**30**



No.	Part name	Material	QTY	Remark
01	Cable		3	
03	Upper cover	FC200	1	
05	Outlet disk	FC200	1	
07	Stator		1	
09	Shaft end	SUS420J2	1	
11	Bearing fixer	FC200	1	
16	Motor frame	FC200	1	
17	Lubricant			
19	Bearing bracket	FC200	1	
20A	Bearing		1	
20B	Bearing		1	
21	M.seal	SIC / SIC & SIC / SIC	1	
23A	M. seal bracket	FC200	1	

No.	Part name	Material	QTY	Remark
23B	M. seal bracket	FC200	1	
24	Oil seal bush	SUS304	1	
25	Oil seal	NBR	2	
26	Casing	FC200	1	
27	Impeller	SCS13	1	
28	Casing cover	FC200	1	
29	Wear ring	ALBC3	1	
41	Handle	SUS304	1	
43	Moisture sensor		1	
46	Impeller key	SUS304	1	
47	Packing			
64A	Sacrificial aluminum anode plate	Al	1	

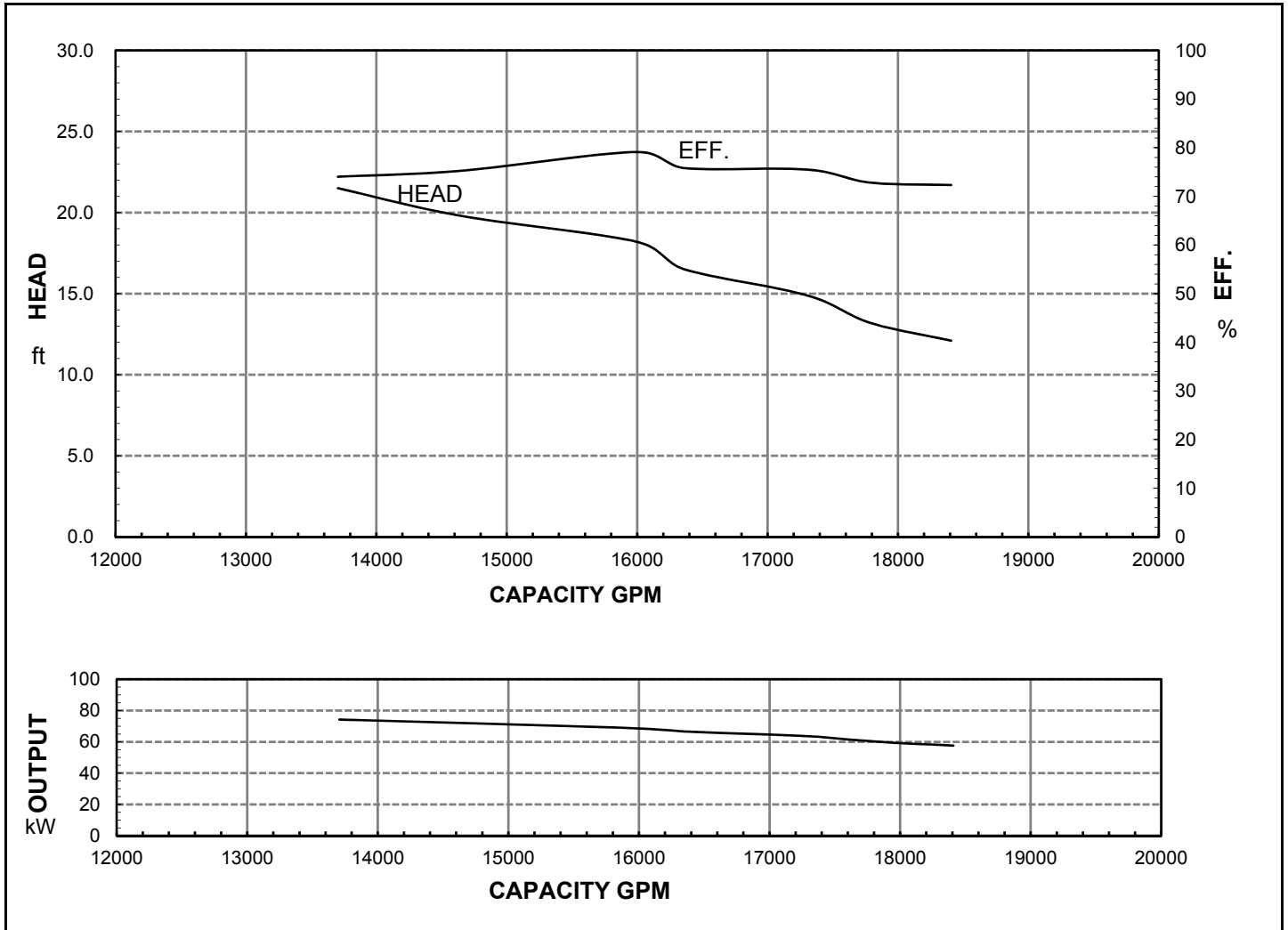


# HCP PUMP

FILE NO. PC-FT-E6-LA281003

## PUMP PERFORMANCE CURVES

MODEL	LA-28100					DATE:
	STANDARD SPECIFICATION					REFERENCE SPECIFICATION
FREQUENCY	60 Hz					
DISCHARGE	28 inch	/			700 mm	
OUTPUT	100 HP	/			75 kW	HP kW
HEAD	16 ft					
CAPACITY	15850 GPM					
PHASE/VOLTAGE	3 Ø	220 V	230 V	440 V	460 V	575 V
RATED CURRENT		- A	- A	166.0 A	155.3 A	124.2 A
POLE / rpm	12 P	/			585 rpm	
START METHOD	STAR-DELTA					
INSULATION CLASS	F					
REMARK						



**HCP PUMP MANUFACTURER CO.,LTD.**