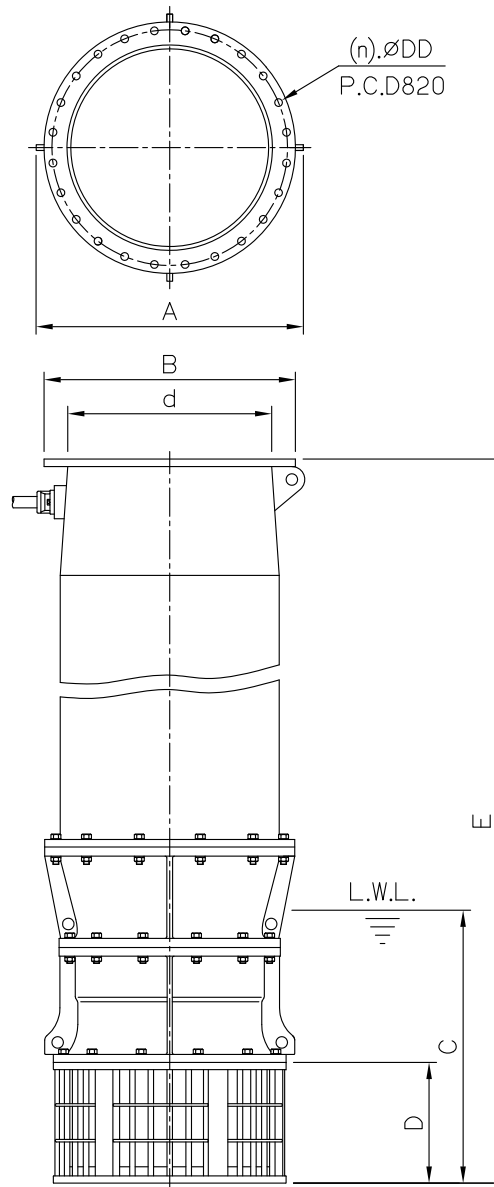


DIMENSIONS

No: SSLA0AG5031-00

MODEL: LA-2875 & LA-28100 (Stand types)

3Ø



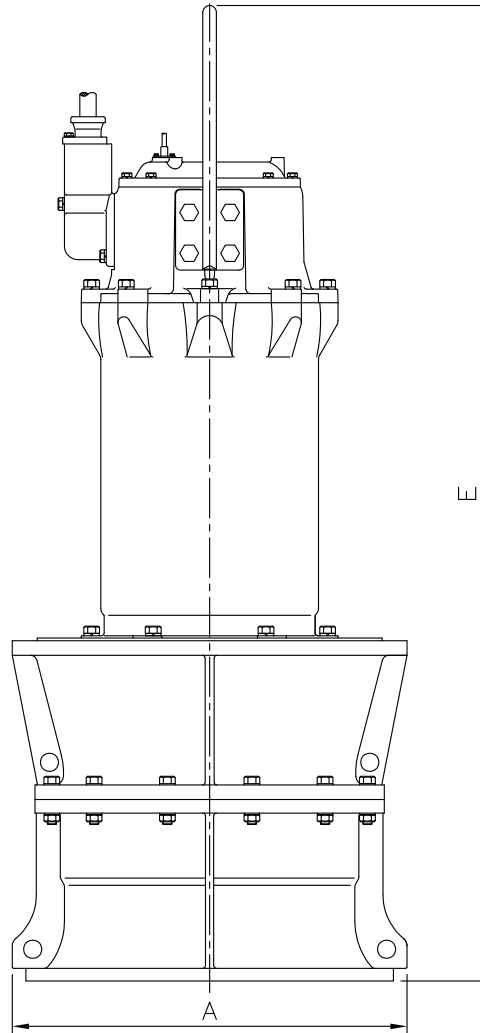
Dimensions-mm Weight:kg

Model	d	A	B	C	D	E	DD	(n)QTY	WT1
LA-2875	700	930	875	950	420	2720	27	24	2060
LA-28100	700	930	875	950	420	2720	27	24	2130

Dimensions-inch Weight:lb

Model	d	A	B	C	D	E	DD	(n)QTY	WT1
LA-2875	28	36 ⁵ / ₁₆	34 ¹ / ₁₆	37 ³ / ₈	16 ³ / ₁₆	107 ¹ / ₁₆	1 ¹ / ₁₆	24	4542
LA-28100	28	36 ⁵ / ₁₆	34 ¹ / ₁₆	37 ³ / ₈	16 ³ / ₁₆	107 ¹ / ₁₆	1 ¹ / ₁₆	24	4696

L.W.L.:Lowest Running Water Level WT1:Pump Weight(Without Cable)



Model	Dimensions-mm		Weight:kg
	A	E	WT1
LA-2875	870	2150	1530
LA-28100	870	2150	1600

Model	Dimensions-inch		Weight:lb
	A	E	WT1
LA-2875	34 $\frac{1}{4}$	84 $\frac{5}{8}$	3373
LA-28100	34 $\frac{1}{4}$	84 $\frac{5}{8}$	3527

WT1: Pump weight(Without Cable)