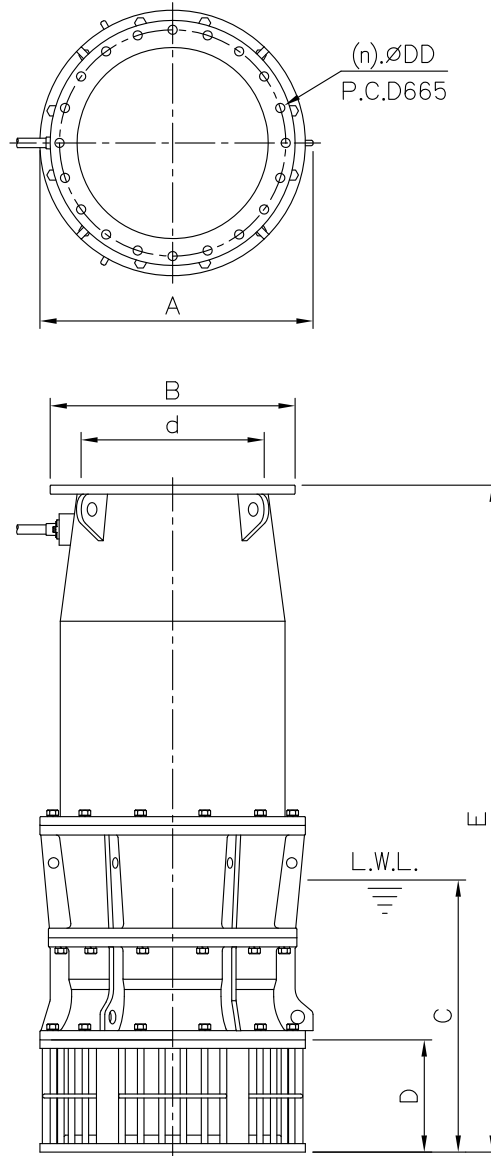


DIMENSIONS

No: SPLA08D5030-01

MODEL: LA-2250 & LA-2260 (Stand types)

3Ø



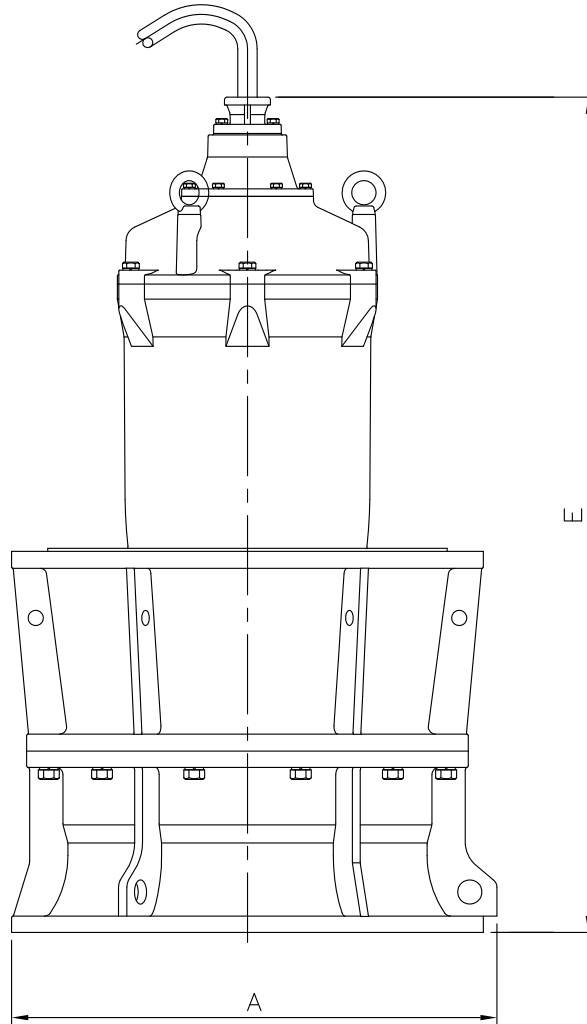
Dimensions-mm Weight:kg

Model	d	A	B	C	D	E	DD	(n)QTY	WT1
LA-2250	550	803	720	800	330	1960	27	20	1180
LA-2260	550	803	720	800	330	1960	27	20	1180

Dimensions-inch Weight:b

Model	d	A	B	C	D	E	DD	(n)QTY	WT1
LA-2250	22	31 ¹⁰ / ₁₆	28 ³ / ₈	31 ¹ / ₂	13	77 ³ / ₁₆	1 ¹ / ₁₆	20	2601
LA-2260	22	31 ¹⁰ / ₁₆	28 ³ / ₈	31 ¹ / ₂	13	77 ³ / ₁₆	1 ¹ / ₁₆	20	2601

L.W.L.:Lowest Running Water Level WT1:Pump Weight(Without Cable)



Dimensions-mm		Weight:kg		
Model	A	E	WT1	
LA-2250	803	1380	850	
LA-2260	803	1380	850	

Dimensions-inch		Weight:lb		
Model	A	E	WT1	
LA-2250	31 $\frac{1}{8}$	54 $\frac{1}{8}$	1874	
LA-2260	31 $\frac{1}{8}$	54 $\frac{1}{8}$	1874	

WT1:Pump weight(Without Cable)