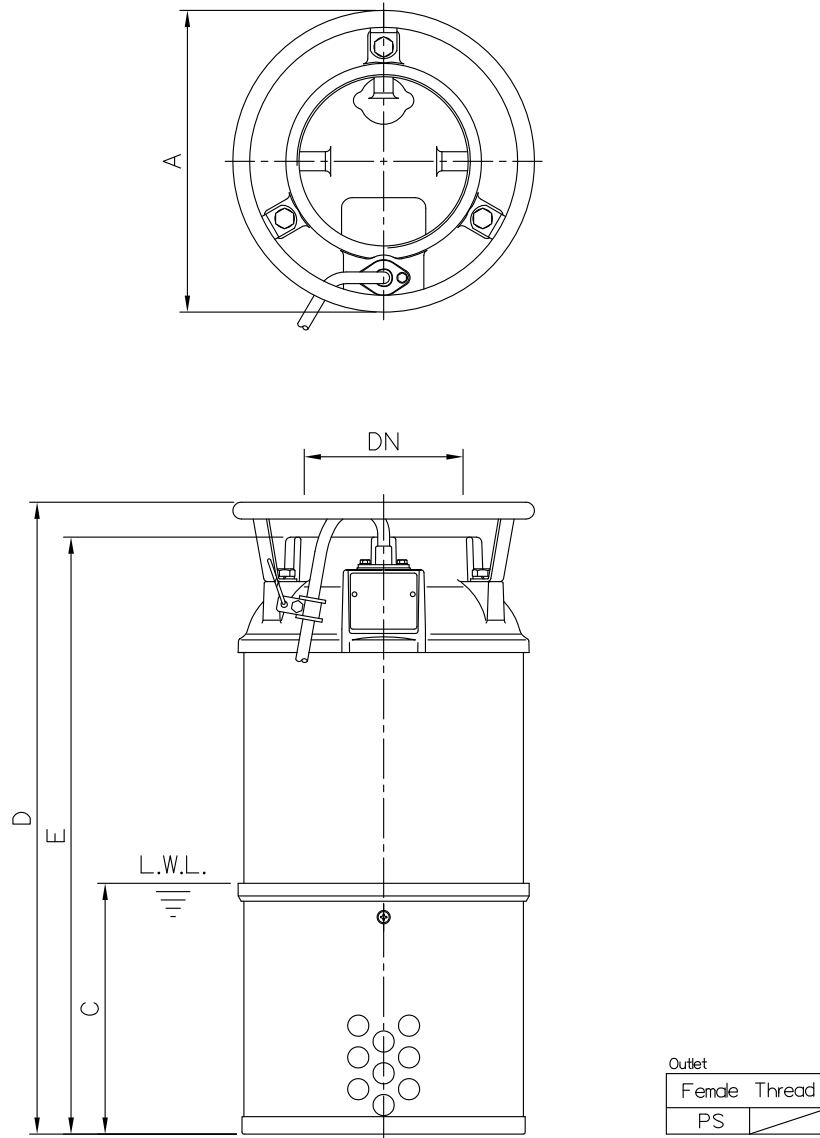


DIMENSIONS

No: S6L00422A30-00

MODEL: L-62A & L-63A

3Ø



Dimensions-mm Weight:kg

Model	DN	A	C	D	E	WT1
L-62A	150	285	237	597	564	51
L-63A	150	285	237	597	564	52

Dimensions-inch Weight:lb

Model	A	A	C	D	E	WT1
L-62A	6	11¼	9 ⁵ / ₁₆	23½	22 ³ / ₁₆	112
L-63A	6	11¼	9 ⁵ / ₁₆	23½	22 ³ / ₁₆	115

L.W.L.:Lowest Running Water Level

WT1:Pump Weight(Without Cable)