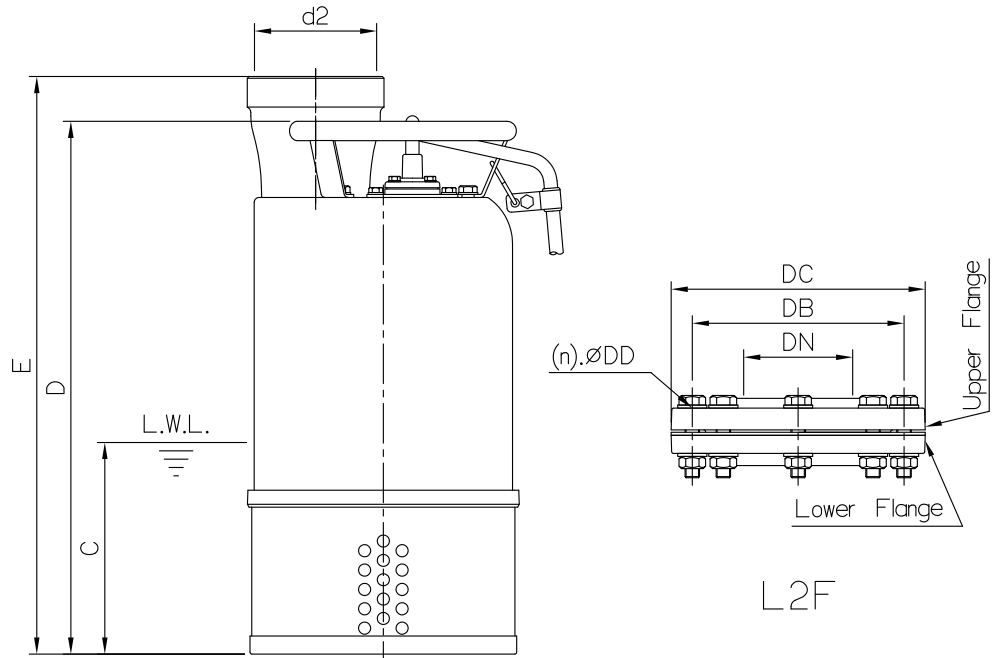
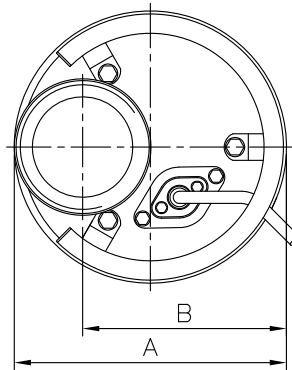


## DIMENSIONS

No: SIL00208A32-00

MODEL: L-405A & L-41A

1Ø & 3Ø



| Model  | d2  |      | Male Thread |
|--------|-----|------|-------------|
|        | mm  | inch |             |
| L-405A | 90  | 3.5" | PF          |
|        | 100 | 4"   | PF/PT/NPT   |
| L-41A  | 90  | 3.5" | PF          |
|        | 100 | 4"   | PF/PT/NPT   |

| Dimensions-mm |     |     |     |     |     | Weight:kg |
|---------------|-----|-----|-----|-----|-----|-----------|
| Model         | A   | B   | C   | D   | E   | WT1       |
| L-405A 1Ø     | 225 | 169 | 175 | 441 | 478 | 25        |
| L-405A 3Ø     | 225 | 169 | 175 | 441 | 478 | 25        |
| L-41A 1Ø      | 225 | 169 | 175 | 441 | 478 | 26        |
| L-41A 3Ø      | 225 | 169 | 175 | 441 | 478 | 26        |

| Dimensions-mm     |     |         |     |    |    | Weight:kg |
|-------------------|-----|---------|-----|----|----|-----------|
| L2F               | DN  | DB      | DC  | DD | DH | WT2(n)QTY |
| L2F4(3.5)-175-180 | 100 | 175~180 | 215 | 15 | 56 | 8 8       |
| L2F4-165-190      | 100 | 165~190 | 225 | 19 | 58 | 9 8       |

| Dimensions-inch |       |       |       |        |        | Weight:lb |
|-----------------|-------|-------|-------|--------|--------|-----------|
| Model           | A     | B     | C     | D      | E      | WT1       |
| L-405A 1Ø       | 8 7/8 | 6 5/8 | 6 7/8 | 17 3/8 | 18 3/8 | 55        |
| L-405A 3Ø       | 8 7/8 | 6 5/8 | 6 7/8 | 17 3/8 | 18 3/8 | 55        |
| L-41A 1Ø        | 8 7/8 | 6 5/8 | 6 7/8 | 17 3/8 | 18 3/8 | 57        |
| L-41A 3Ø        | 8 7/8 | 6 5/8 | 6 7/8 | 17 3/8 | 18 3/8 | 57        |

| Dimensions-inch   |    |             |       |      |        | Weight:lb |
|-------------------|----|-------------|-------|------|--------|-----------|
| L2F               | DN | DB          | DC    | DD   | DH     | WT2(n)QTY |
| L2F4(3.5)-175-180 | 4  | 6 7/8~7 1/8 | 8 1/2 | 9/16 | 2 3/16 | 18 8      |
| L2F4-165-190      | 4  | 6 1/2~7 1/2 | 8 7/8 | 3/4  | 2 5/16 | 20 8      |

L.W.L.:Lowest Running Water Level  
 WT1:Pump Weight(Without Cable)  
 WT2:Double Flange Set Weight