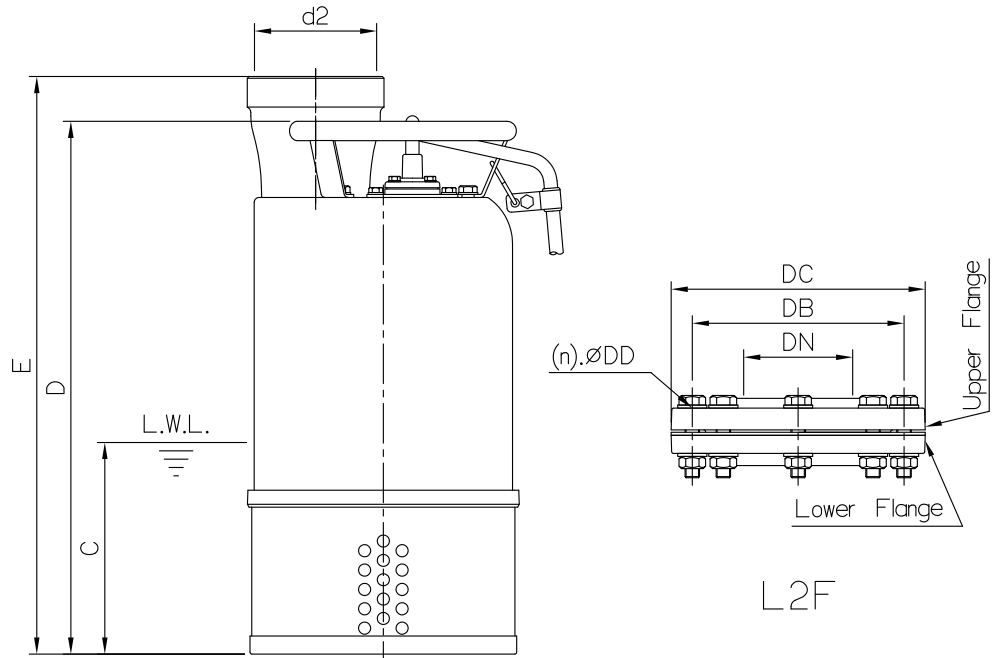
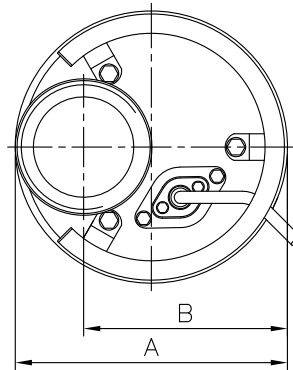


DIMENSIONS

No: SIL00208A32-00

MODEL: L-405A & L-41A

1Ø & 3Ø



Pump Model	d2		Male Thread
	mm	inch	
L-405A	90	3.5"	PF
	100	4"	PF/PT/NPT
L-41A	90	3.5"	PF
	100	4"	PF/PT/NPT

Dimensions-mm						Weight:kg	
Model	A	B	C	D	E	WT1	Double Flange Set
L-405A 1Ø	225	169	175	441	478	25	L2F4(3.5)-175-180 L2F4-160-190
L-405A 3Ø	225	169	175	441	478	25	L2F4(3.5)-175-180 L2F4-160-190
L-41A 1Ø	225	169	175	441	478	26	L2F4(3.5)-175-180 L2F4-160-190
L-41A 3Ø	225	169	175	441	478	26	L2F4(3.5)-175-180 L2F4-160-190

Dimensions-mm						Weight:kg	
L2F	DN	DB	DC	DD	DH	WT2(n)QTY	
L2F4(3.5)-175-180	100	175~180	215	15	56	8 8	
L2F4-165-190	100	165~190	225	19	58	9 8	

Dimensions-inch						Weight:lb	
Model	A	B	C	D	E	WT1	Double Flange Set
L-405A 1Ø	8 7/8	6 5/8	6 7/8	17 3/8	18 13/16	55	L2F4(3.5)-175-180 L2F4-160-190
L-405A 3Ø	8 7/8	6 5/8	6 7/8	17 3/8	18 13/16	55	L2F4(3.5)-175-180 L2F4-160-190
L-41A 1Ø	8 7/8	6 5/8	6 7/8	17 3/8	18 13/16	57	L2F4(3.5)-175-180 L2F4-160-190
L-41A 3Ø	8 7/8	6 5/8	6 7/8	17 3/8	18 13/16	57	L2F4(3.5)-175-180 L2F4-160-190

Dimensions-inch						Weight:lb	
L2F	DN	DB	DC	DD	DH	WT2(n)QTY	
L2F4(3.5)-175-180	4	6 7/8~7 1/16	8 7/16	9/16	2 3/16	18 8	
L2F4-165-190	4	6 1/2~7 1/2	8 7/8	3/4	2 5/16	20 8	

L.W.L.:Lowest Running Water Level
 WT1:Pump Weight(Without Cable)
 WT2:Double Flange Set Weight