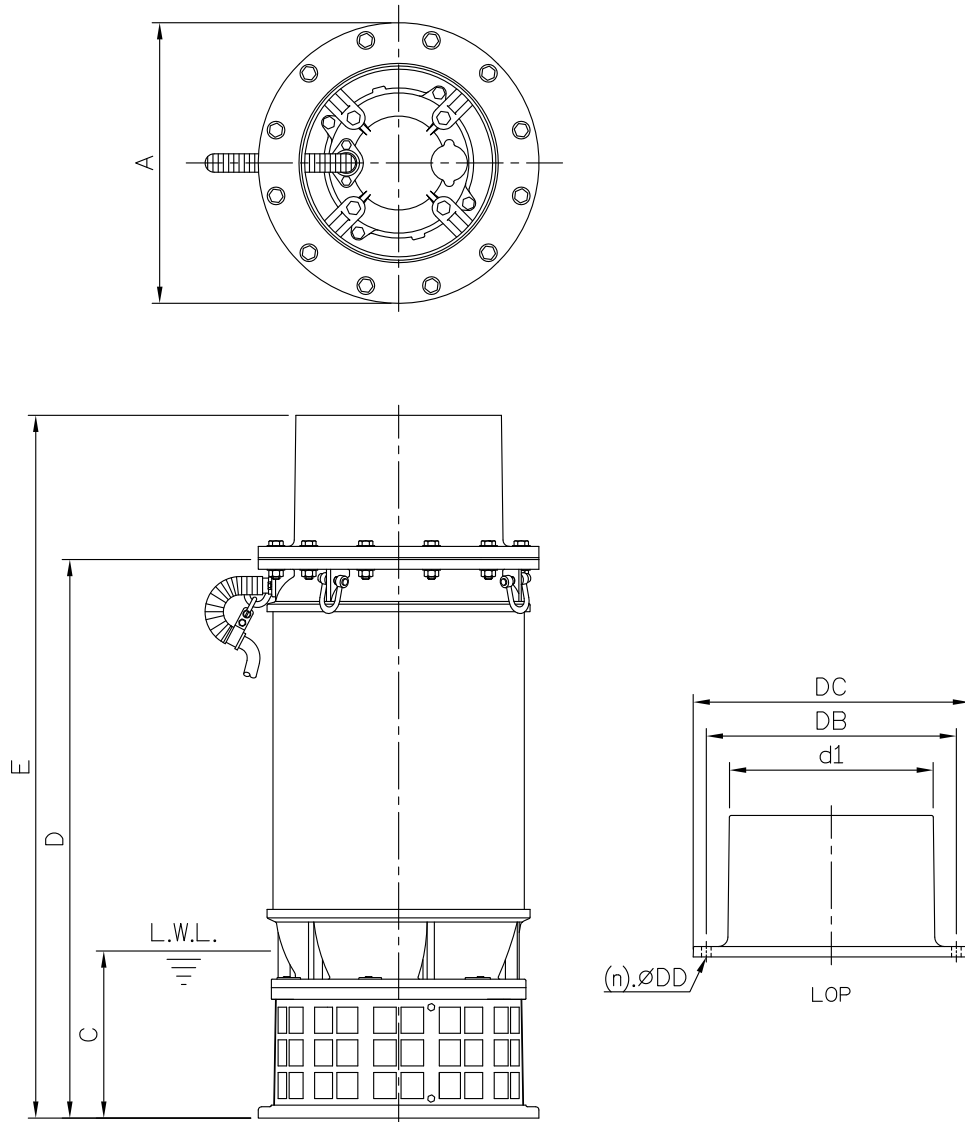


DIMENSIONS

No: SKL004A5A30-00

MODEL: L-300A & L-1220

3Ø



Dimensions-mm

Weight:kg

Model	A	C	D	E	WT1 50Hz/60Hz	Outlet	d1	DB	DC	DD	(n)QTY
L-300A	430	260	862	1072	201	LOP10-325	250	325	370	15	8
L-300A	430	260	862	1082	201	LOP12-389	300	389	430	15	12
L-1220	430	260	892	1112	NA/273	LOP12-389	300	389	430	15	12

Dimensions-inch

Weight:lb

Model	A	C	D	E	WT1 50Hz/60Hz	Outlet	d1	DB	DC	DD	(n)QTY
L-300A	16 ¹⁵ / ₁₆	10 ¹ / ₄	33 ¹⁵ / ₁₆	42 ³ / ₁₆	443	LOP10-325	250	325	370	15	8
L-300A	16 ¹⁵ / ₁₆	10 ¹ / ₄	33 ¹⁵ / ₁₆	42 ⁵ / ₁₆	443	LOP12-389	12 ¹ / ₁₆	15 ⁵ / ₁₆	16 ¹⁵ / ₁₆	9 ¹ / ₁₆	12
L-1220	16 ¹⁵ / ₁₆	10 ¹ / ₄	35 ⁷ / ₈	43 ³ / ₄	NA/602	LOP12-389	12 ¹ / ₁₆	15 ⁵ / ₁₆	16 ¹⁵ / ₁₆	9 ¹ / ₁₆	12

L.W.L.:Lowest Running Water Level

WT1:Pump Weight(Without Cable)