

## MODEL: IF615/6-255 & IF620/6-279

MATERIALS	
Volute	ASTM-A48 CL-30
Impeller	ASTM-A48 CL-30
Main shaft	410 SS
Upper seal	Carbon-ceramic
Lower seal	*Carbon-ceramic
Bolts and nuts	18-8 SS
Wear ring	Bronze
Handle	304 SS
Coating	Epoxic

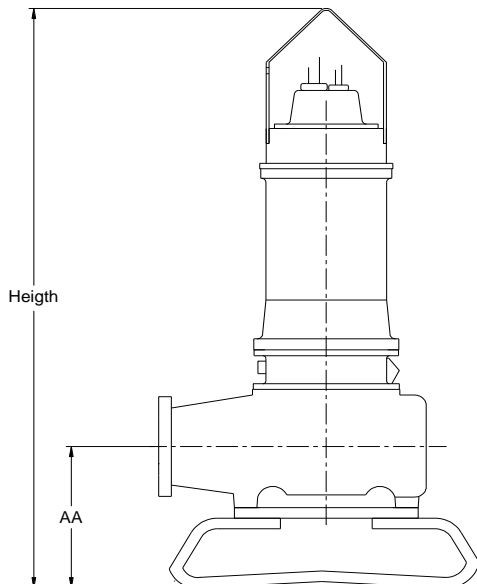
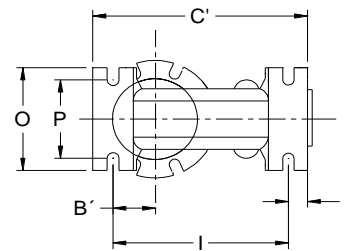
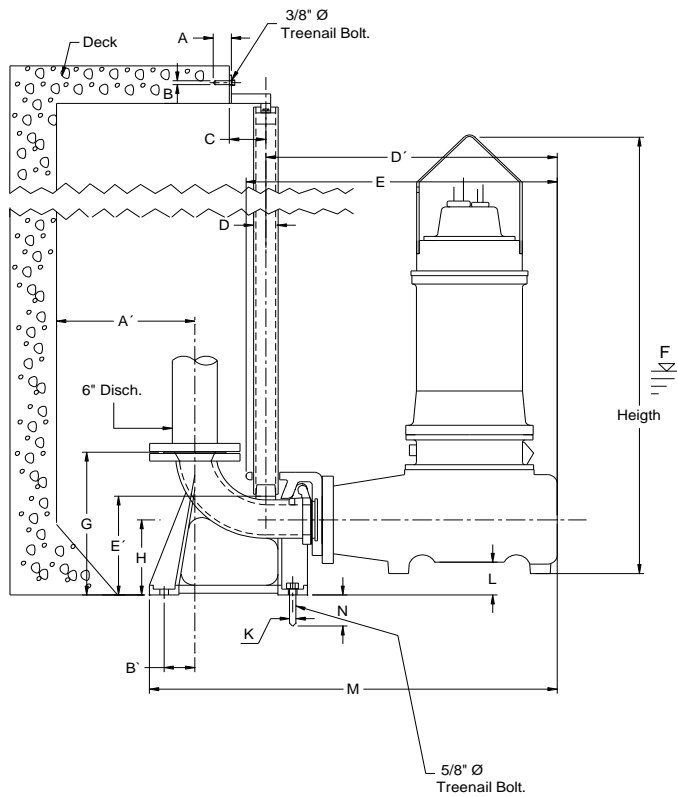
\* Silicon Carbide (SiC) optional

REF.	in	mm
A'	17	432
B'	2.8	72
C'	18.2	463
D'	37.1	944
E'	20.6	525

Pump Height		
HP	in	mm
15	52.9	1345
20		

Pump Weight		
HP	Lbs	Kg
15	992	450
20	1102.3	500

REF.	in	mm
A	2.9	76
B	0.3	9
C	3.6	92
D	1.9	50
E	39	992
F	38.1	970
G	20.8	530
H	13.9	355
I	13.7	350
J	2.16	55
K	0.6	16
L	3.26	83
M	46.5	1182
N	5.9	150
O	12.4	317
P	10.23	260
Q	11.4	290
R	5.9	152
S	12.9	328
T	10.8	275
U	23.7	603
V	34.6	880
W	18.5	470
X	11.8	302
Y	30.3	772
Z	47.2	1200



Installation		
AA	19.4 in	493 mm

