

MODEL: IF410/4-220, IF415/4-250 & IF420/4-270

MATERIALS	
Volute	ASTM-A48 CL-30
Impeller	ASTM-A48 CL-30
Main shaft	410 SS
Upper seal	Carbon-ceramic
Lower seal	*Carbon-ceramic
Bolts and nuts	18-8 SS
Wear ring	Bronze
Handle	304 SS
Coating	Epoxic

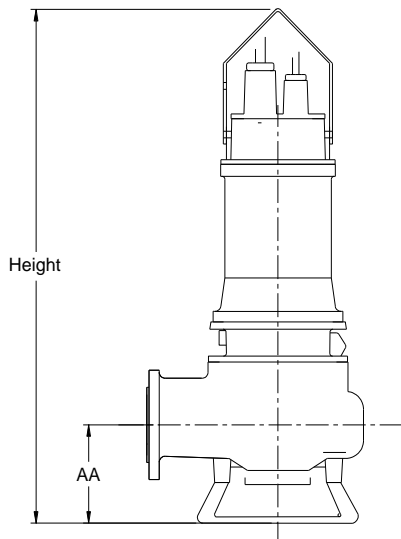
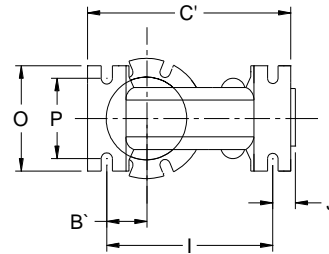
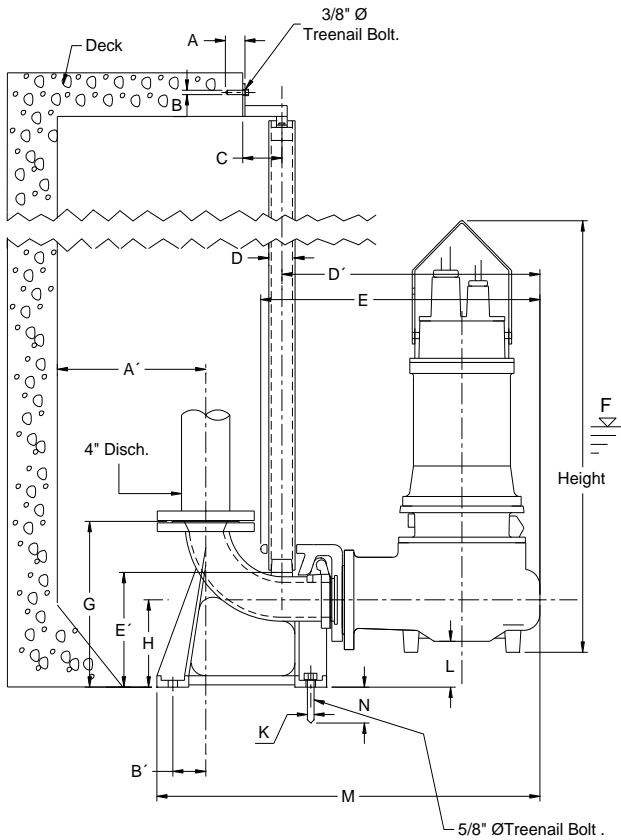
* Silicon Carbide (SiC) optional

REF.	in	mm
A'	25.9	660
B'	4.7	120
C'	16.5	418
D'	24.9	633
E'	11.8	300

Pump Height		
HP	in	mm
10	38.0	965
15		
20	40.0	1015

Pump Weight		
HP	Lb	kg
10	407.8	185
15	412.2	187
20	540.1	245

REF.	in	mm
A	2.99	76
B	0.6	16
C	5.1	130
D	1.9	50
E	26.5	675
F	29.5	750
G	17.0	432
H	9.3	235
I	12.9	330
J	2.3	60
K	0.6	16
L	4.5	115
M	36	915
N	5.9	150
O	7.8	200
P	6.4	165
Q	7.4	190
R	3.9	100
S	7.4	190
T	8.4	215
U	15.9	405
V	25.9	659
W	11.0	280
X	8.0	205
Y	19.1	485
Z	30.9	785



Installation		
AA	14.4 in	365 mm

