

MODEL: IF410/4-195, IF415/4-215 & IF420/4-235

MATERIALS	
Volute	ASTM-A48 CL-30
Impeller	ASTM-A48 CL-30
Main shaft	410 SS
Upper seal	Carbon-ceramic
Lower seal	*Carbon-ceramic
Bolts and nuts	18-8 SS
Wear ring	Bronze
Handle	304 SS
Coating	Epoxic

* Silicon Carbide (SiC) optional

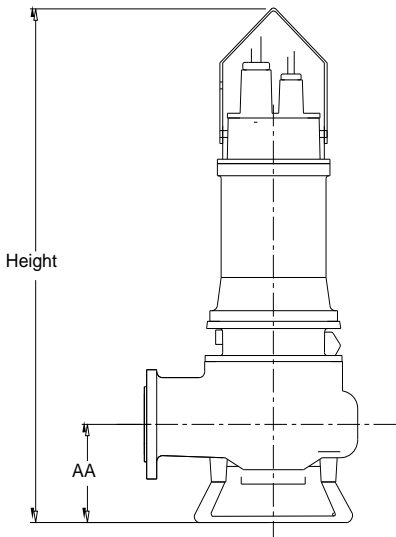
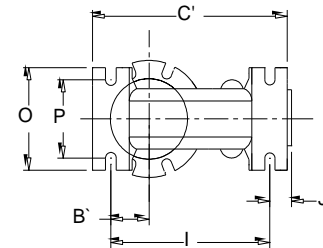
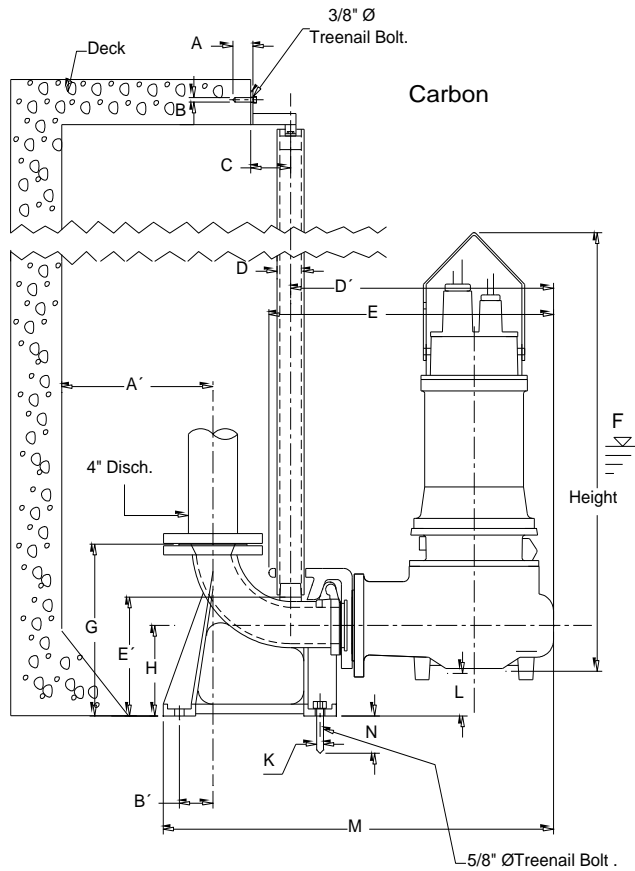
REF.	in	mm
A'	25.9	660
B'	4.7	120
C'	16.5	418
D'	24.9	633
E'	11.8	300

Pump Height		
HP	in	mm
10	37.9	965
15		
20	39.9	1015

Pump Weight		
HP	Lbs	Kg
10	418.8	190
15	429.9	195
20	507.0	230

Discharge Elbow Weight		
Desc.	Lbs	Kg
4" x"4	88.0	40

REF.	in	mm
A	2.9	76
B	0.6	16
C	5.1	130
D	1.9	50
E	26.5	675
F	29.5	750
H	17.0	432
H	9.3	235
I	12.9	330
J	2.3	60
K	0.6	16
L	4.5	115
M	36.0	915
N	5.9	150
O	7.8	200
P	6.4	165
Q	7.4	190
R	3.9	100
S	7.4	190
T	8.4	215
U	15.9	405
V	25.9	659
W	11.0	280
X	8.1	205
Y	19.1	485
Z	30.9	785



Installation		
AA	14.3 in	365 mm

