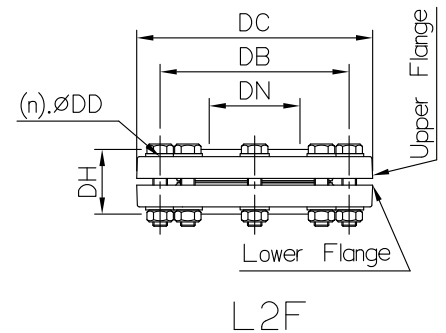
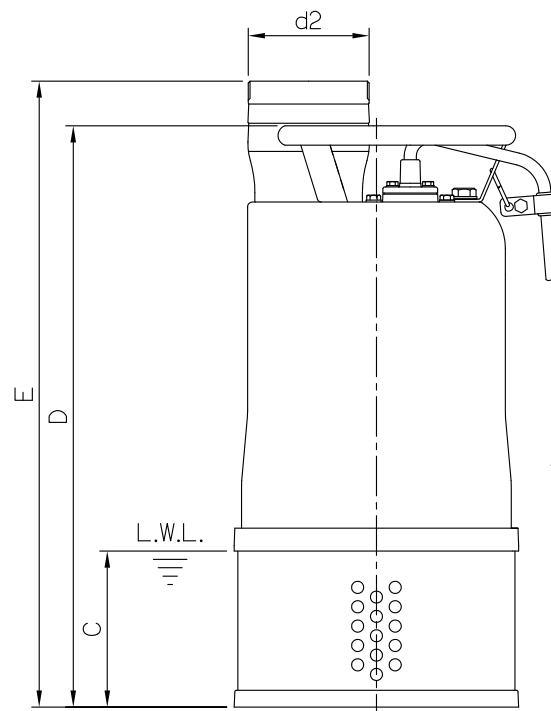
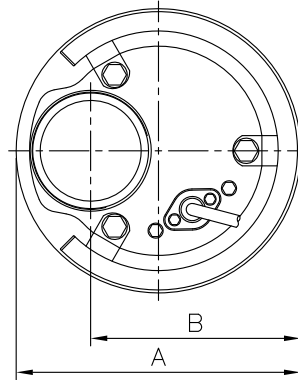


DIMENSIONS

No: S4IC0222010-00

MODEL: IC-32B & IC-33B & IC-43B

10



Model	d2		Male Thread
	mm	inch	
IC-32B	80	3"	PF/NPT
IC-33B	80	3"	PF/NPT
IC-43B	80	3"	PF/NPT
	90	3.5"	PF
	100	4"	PF/PT/NPT

Dimensions—mm

Weight:kg

Model	A	B	C	D	E	WT1 50Hz/60Hz	Double Flange Set		
							L2F3-145-160	-	-
IC-32B	235	174	115	511	548	40	L2F3-145-160	-	-
IC-33B	235	174	115	541	578	45/44	L2F3-145-160	-	-
IC-43B	235	174	130	556	593	45/44	L2F3-145-160	L2F4(3.5)-175-180	L2F4-165-190

Dimensions—mm

Weight:kg

L2F	DN	DB	DC	DD	DH	WT2	(n)QTY
L2F4(3.5)-175-180	100	175~180	215	15	56	8	8
L2F4-165-190	100	165~190	225	19	58	9	8

Dimensions—inch

Weight:lb

Model	A	B	C	D	E	WT1 50Hz/60Hz	Double Flange Set		
							L2F3-145-160	-	-
IC-32B	9 1/4	6 7/8	4 1/2	20 1/8	21 1/8	88	L2F3-145-160	-	-
IC-33B	9 1/4	6 7/8	4 1/2	21 1/8	22 3/4	99/97	L2F3-145-160	-	-
IC-43B	9 1/4	6 7/8	5 1/8	21 1/8	23 3/8	99/97	L2F3-145-160	L2F4(3.5)-175-180	L2F4-165-190

Dimensions—inch

Weight:lb

L2F	DN	DB	DC	DD	DH	WT2	(n)QTY
L2F4(3.5)-175-180	4	6 7/8~7 1/16	8 3/16	3/16	2 3/16	18	8
L2F4-165-190	4	6 1/2~7 1/2	8 7/8	3/4	2 3/16	20	8

L.W.L.:Lowest Running Water Level

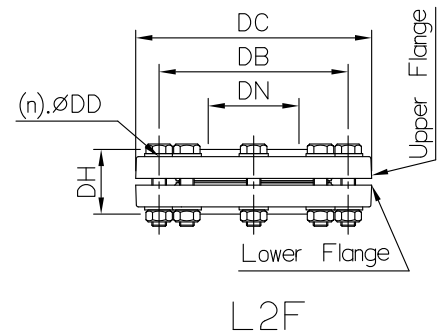
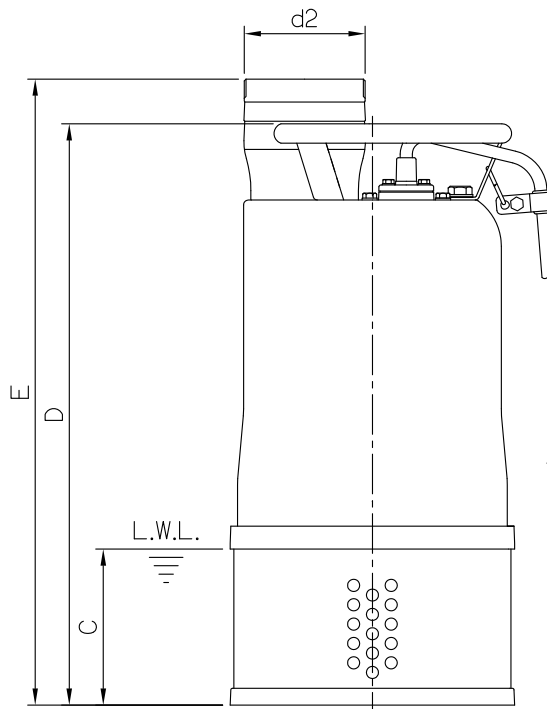
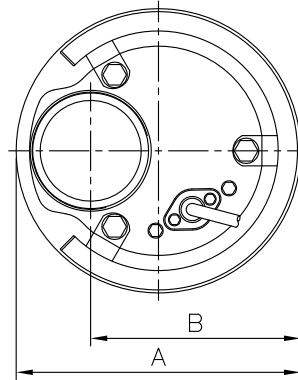
WT1:Pump Weight(Without Cable)
WT2:Double Flange Set Weight

DIMENSIONS

No: S4IC0240030-00

MODEL: IC-32B / 33B / 43B / 45B / 46B(60Hz)

3Ø



Pump Model	d2		Male Thread
	mm	inch	
IC-32B	80	3"	PF/NPT
IC-33B	80	3"	PF/NPT
IC-43B	80	3"	PF/NPT
	90	3.5"	PF
IC-45B	90	3.5"	PF
	100	4"	PF/PT/NPT
IC-46B	90	3.5"	PF
	100	4"	PF/PT/NPT

Dimensions-mm

Weight:kg

Model	A	B	C	D	E	WT1	Double Flange Set		
							L2F3-145-160	L2F4(3.5)-175-180	L2F4-165-190
IC-32B	235	174	115	466	503	36	L2F3-145-160	-	-
IC-33B	235	174	115	466	503	39	L2F3-145-160	-	-
IC-43B	235	174	130	481	518	39	L2F3-145-160	L2F4(3.5)-175-180	L2F4-165-190
									-
IC-45B	235	174	130	511	548	44	L2F4(3.5)-175-180	L2F4-165-190	-
									-
IC-46B(60HZ)	235	174	130	511	548	44	L2F4-165-190	-	-

Dimensions-mm

Weight:kg

L2F	DN	DB	DC	DD	DH	WT2	(n)QTY
L2F3-145-160	80	145~160	195	19	55	7	8
L2F4(3.5)-175-180	100	175~180	215	15	56	8	8
L2F4-165-190	100	165~190	225	19	58	9	8

Dimensions-inch

Weight:lb

Model	A	B	C	D	E	WT1	Double Flange Set		
							L2F3-145-160	L2F4(3.5)-175-180	L2F4-165-190
IC-32B	9 1/4	6 7/8	4 1/2	18 3/8	19 3/8	79	L2F3-145-160	-	-
IC-33B	9 1/4	6 7/8	4 1/2	18 3/8	19 3/8	86	L2F3-145-160	-	-
IC-43B	9 1/4	6 7/8	5 1/2	18 3/8	20 3/8	86	L2F3-145-160	L2F4(3.5)-175-180	L2F4-165-190
									-
IC-45B	9 1/4	6 7/8	5 1/2	20 3/8	21 1/8	97	L2F4(3.5)-175-180	L2F4-165-190	-
									-
IC-46B(60HZ)	9 1/4	6 7/8	5 1/2	20 3/8	21 1/8	97	L2F4-165-190	-	-

Dimensions-inch

Weight:lb

L2F	DN	DB	DC	DD	DH	WT2	(n)QTY
L2F3-145-160	3	5 1/16~6 5/16	7 1/16	3/4	2 3/16	15	8
L2F4(3.5)-175-180	4	6 7/8~7 1/16	8 7/16	9/16	2 3/16	18	8
L2F4-165-190	4	6 1/2~7 1/2	8 7/8	3/4	2 5/16	20	8

L.W.L.:Lowest Running Water Level

WT1:Pump Weight(Without Cable)
WT2:Double Flange Set Weight