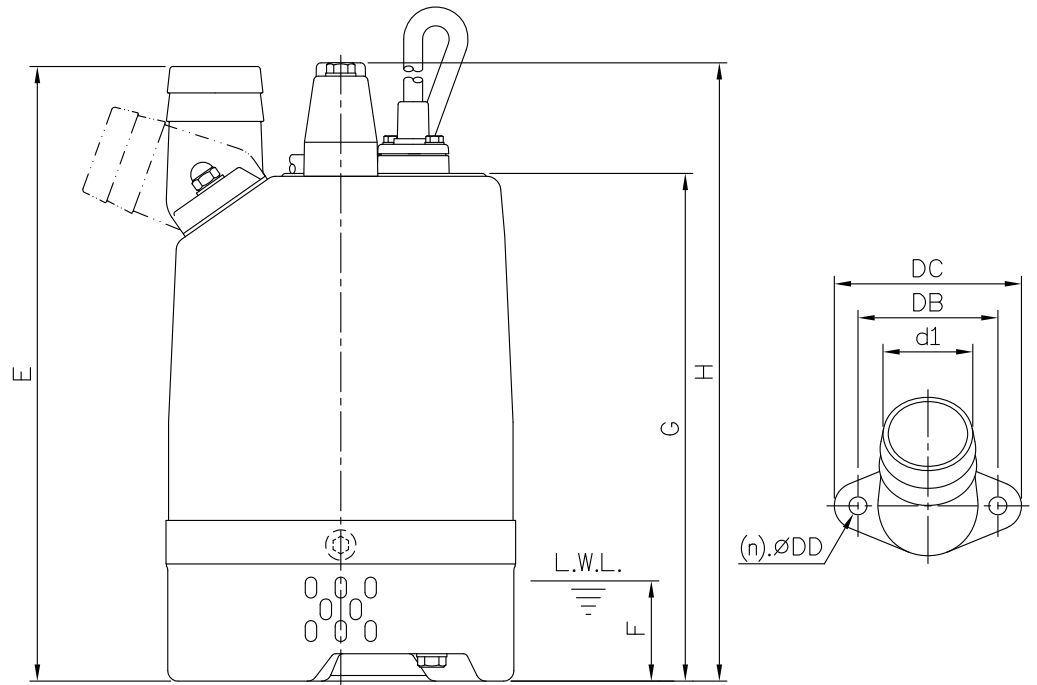
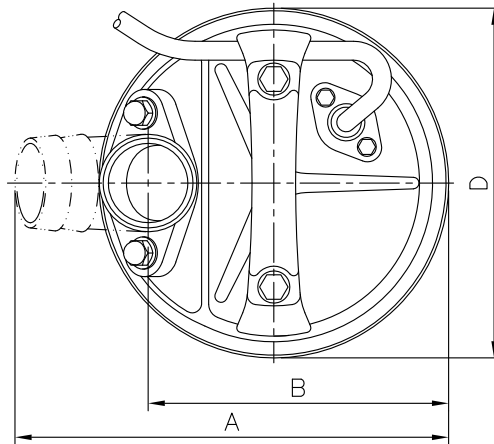


DIMENSIONS

No: S2LS0208010-00

MODEL: GDS-400 & GDS-750

1Ø



Dimensions--mm

Weight:Kg

Model	A	B	D	E	F	G	H	WT1	Outlet	d1	DB	DC	DD	(n)QTY
GDS-400	230	159	185	303	50	247	305	11	LOH2-74	50	74	99	9	2
GDS-750	230	159	185	325	50	269	327	13	LOH2-74	50	74	99	9	2

Dimensions--inch

Weight:Lbs

Model	A	B	D	E	F	G	H	WT1	Outlet	d1	DB	DC	DD	(n)QTY
GDS-400	9 ¹ / ₁₆	6 ³ / ₄	7 ⁵ / ₁₆	11 ¹⁵ / ₁₆	2	9 ³ / ₄	12	23	LOH2-74	2	2 ¹⁵ / ₁₆	3 ⁷ / ₈	3 ⁸ / ₁₆	2
GDS-750	9 ¹ / ₁₆	6 ³ / ₄	7 ⁵ / ₁₆	12 ³ / ₁₆	2	10 ⁵ / ₁₆	12 ⁷ / ₈	28	LOH2-74	2	2 ¹⁵ / ₁₆	3 ⁷ / ₈	3 ⁸ / ₁₆	2

L.W.L.:Lowest Running Water Level

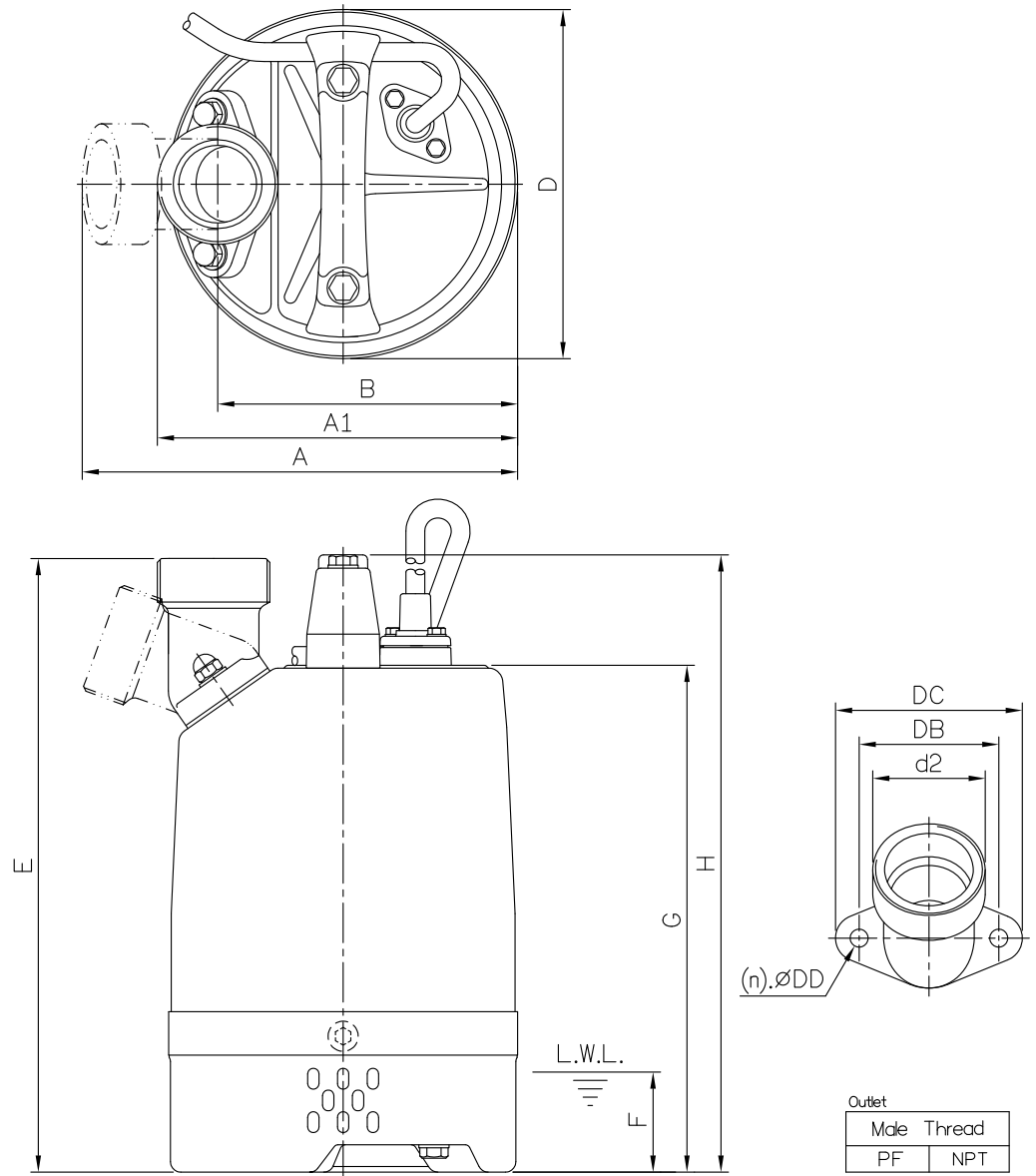
WT1:Pump Weight(Without Cable)

DIMENSIONS

No: S2LS0208013-00

MODEL: GDS-400 & GDS-750

10



Dimensions-mm

Weight:Kg

Model	A	A1	B	D	E	F	G	H	WT1	Outlet	d2	DB	DC	DD	(n)QTY
GDS-400	231	191	159	185	303	50	247	305	11	LOT2-74	50	74	99	9	2
GDS-750	231	191	159	185	325	50	269	327	13	LOT2-74	50	74	99	9	2

Dimensions-inch

Weight:Lbs

Model	A	A1	B	D	E	F	G	H	WT1	Outlet	d2	DB	DC	DD	(n)QTY
GDS-400	9 1/8	7 1/2	6 3/4	7 5/16	11 15/16	2	9 3/4	12	23	LOT2-74	2	2 15/16	3 7/8	3/8	2
GDS-750	9 1/8	7 1/2	6 3/4	7 5/16	12 3/16	2	10 5/16	12 7/8	28	LOT2-74	2	2 15/16	3 7/8	3/8	2

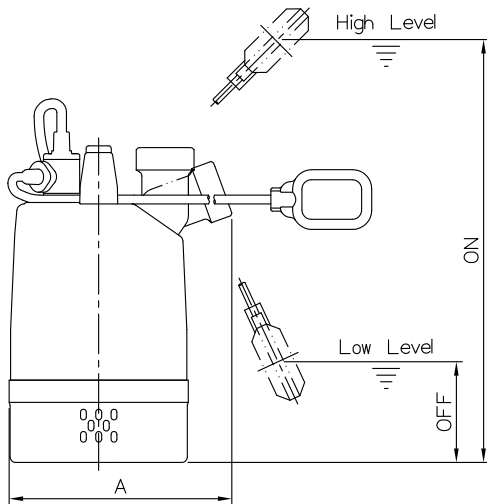
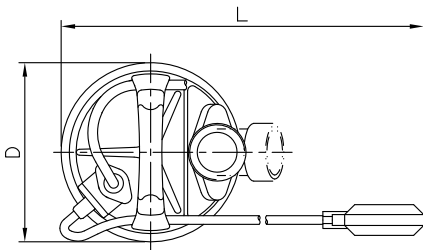
L.W.L.:Lowest Running Water Level

WT1:Pump Weight(Without Cable)

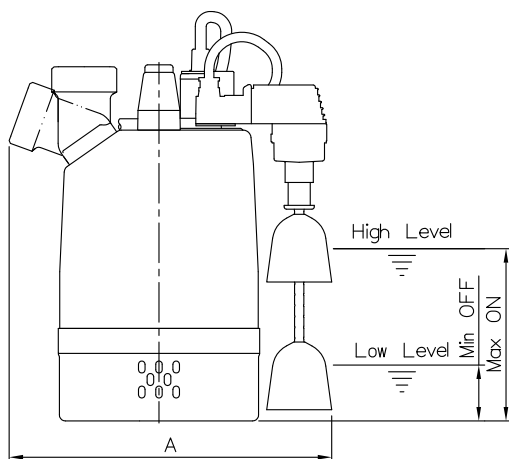
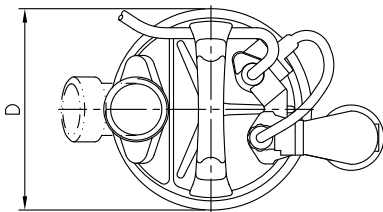
DIMENSIONS

No: SOGD00000F-00

Float Switch Pumps Model



Model	Pump Only											
	Dimensions-mm					Weight-kg	Dimensions-inch				Weight-lb	
	A	D	L	ON	OFF	WT1	A	D	L	ON	OFF	WT1
GD-400F 1Ø	230	185	430	420	140	11.5	9 ¹ / ₁₆	7 ⁵ / ₁₆	16 ⁵ / ₁₆	16 ⁵ / ₁₆	5 ¹ / ₂	25
GD-750F 1Ø	230	185	430	460	140	13.5	9 ¹ / ₁₆	7 ⁵ / ₁₆	16 ⁵ / ₁₆	18 ⁵ / ₁₆	5 ¹ / ₂	30



Model	Pump Only										
	Dimensions-mm				Weight-kg	Dimensions-inch				Weight-lb	
	A	D	Max ON	Min OFF	WT1	A	D	Max ON	Min OFF	WT1	
GD-400FV 1Ø	257	185	135	55	11.5	10 ³ / ₁₆	7 ⁵ / ₁₆	5 ¹ / ₄	2 ³ / ₁₆	25	
GD-750FV 1Ø	257	185	155	55	13.5	10 ³ / ₁₆	7 ⁵ / ₁₆	6 ¹ / ₁₆	2 ⁵ / ₁₆	30	

WT1:Pump Weight(including float switch)