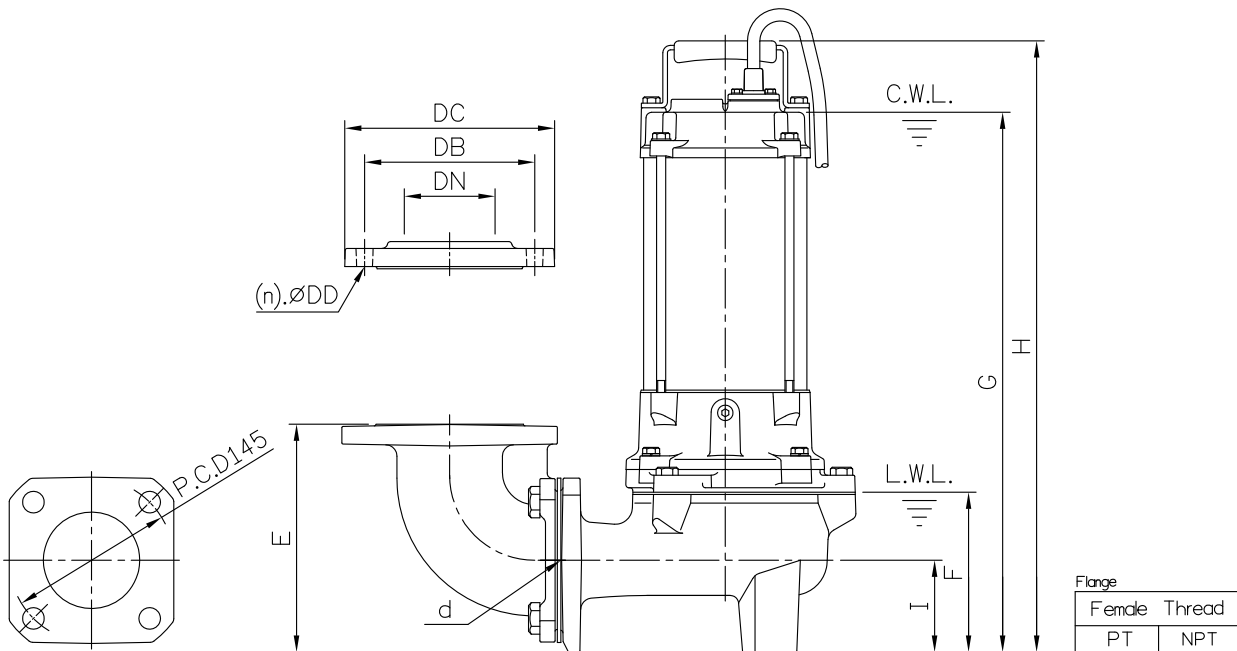
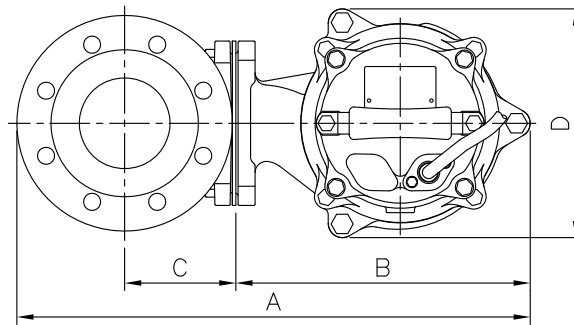


DIMENSIONS

No: S3FNU237030-00

MODEL: FN-35U

3Ø



Dimensions-mm

Weight:Kg

Model	d	A	B	C	D	E	F	G	H	I	WT1	Elbow (Flange) Set	DN	DB	DC	DD	(n)QTY	WT2
FN-35U	80	453	260	98	202	201	140	476	539	81	33	EB3-150A	80	150	185	15	8	12

Dimensions-inch

Weight:Lbs

Model	d	A	B	C	D	E	F	G	H	I	WT1	Elbow (Flange) Set	DN	DB	DC	DD	(n)QTY	WT2
FN-35U	3	17 ³ / ₁₆	10 ¹ / ₄	3 ⁷ / ₈	7 ⁵ / ₁₆	7 ⁷ / ₈	5 ¹ / ₂	18 ³ / ₄	21 ¹ / ₄	3 ³ / ₁₆	73	EB3-150A	3	5 ⁷ / ₈	7 ⁵ / ₁₆	3 ¹ / ₈	8	26

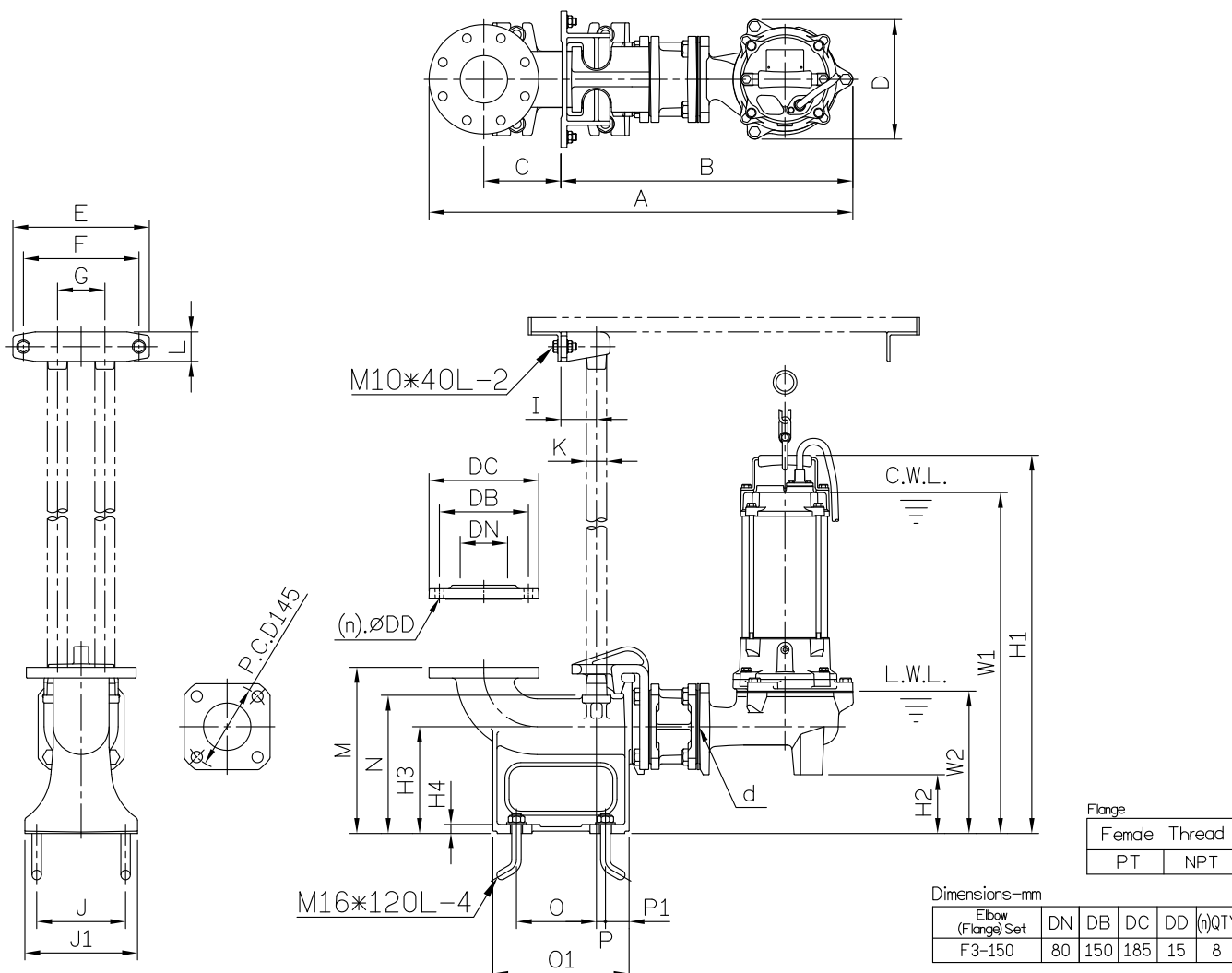
C.W.L.:Continuous Running Water Level WT1:Pump Weight(Without Cable)
 L.W.L.:Lowest Running Water Level WT2:Elbow Set Weight

DIMENSIONS

No:S3FNU23703T-00

MODEL: FN-35U

3Ø



Flange	
Female Thread	
PT	NPT

Dimensions-mm

Elbow (Flange) Set	DN	DB	DC	DD	(n)QTY
F3-150	80	150	185	15	8

Dimensions-inch

Elbow (Flange) Set	DN	DB	DC	DD	(n)QTY
F3-150	3	5 ¹⁵ / ₁₆	7 ³ / ₁₆	3 ¹⁵ / ₁₆	8

Dimensions-mm

Model	d	A	B	C	D	E	F	G	I	J	J1	K	L	M	N	O	O1	P	P1	W1	W2	H1	H2	H3	H4	WT1	GRS Set	WT2
FN-35U	80	715	493	130	202	230	195	80	60	150	190	1 ¹ / ₄ "	50	280	233	135	230	15	40	575	240	638	99	180	15	33	T80DH	31

Weight:kg

Dimensions-inch

Model	d	A	B	C	D	E	F	G	I	J	J1	K	L	M	N	O	O1	P	P1	W1	W2	H1	H2	H3	H4	WT1	GRS Set	WT2
FN-35U	3	28 ³ / ₁₆	19 ⁷ / ₁₆	5 ¹ / ₁₆	7 ¹⁵ / ₁₆	9 ¹ / ₁₆	7 ³ / ₁₆	3 ¹ / ₁₆	2 ³ / ₁₆	5 ¹⁵ / ₁₆	7 ¹ / ₂	1 ¹ / ₄	2	11	9 ³ / ₁₆	5 ⁵ / ₁₆	9 ¹ / ₁₆	3 ¹⁵ / ₁₆	1 ¹ / ₁₆	22 ⁵ / ₁₆	9 ⁷ / ₁₆	25 ¹ / ₁₆	3 ⁷ / ₁₆	7 ¹ / ₁₆	3 ¹ / ₁₆	73	T80DH	68

Weight:lb

C.W.L.:Continuous Running Water Level WT1:Pump Weight(Without Cable)
 L.W.L.:Lowest Running Water Level WT2:GRS Set Weight