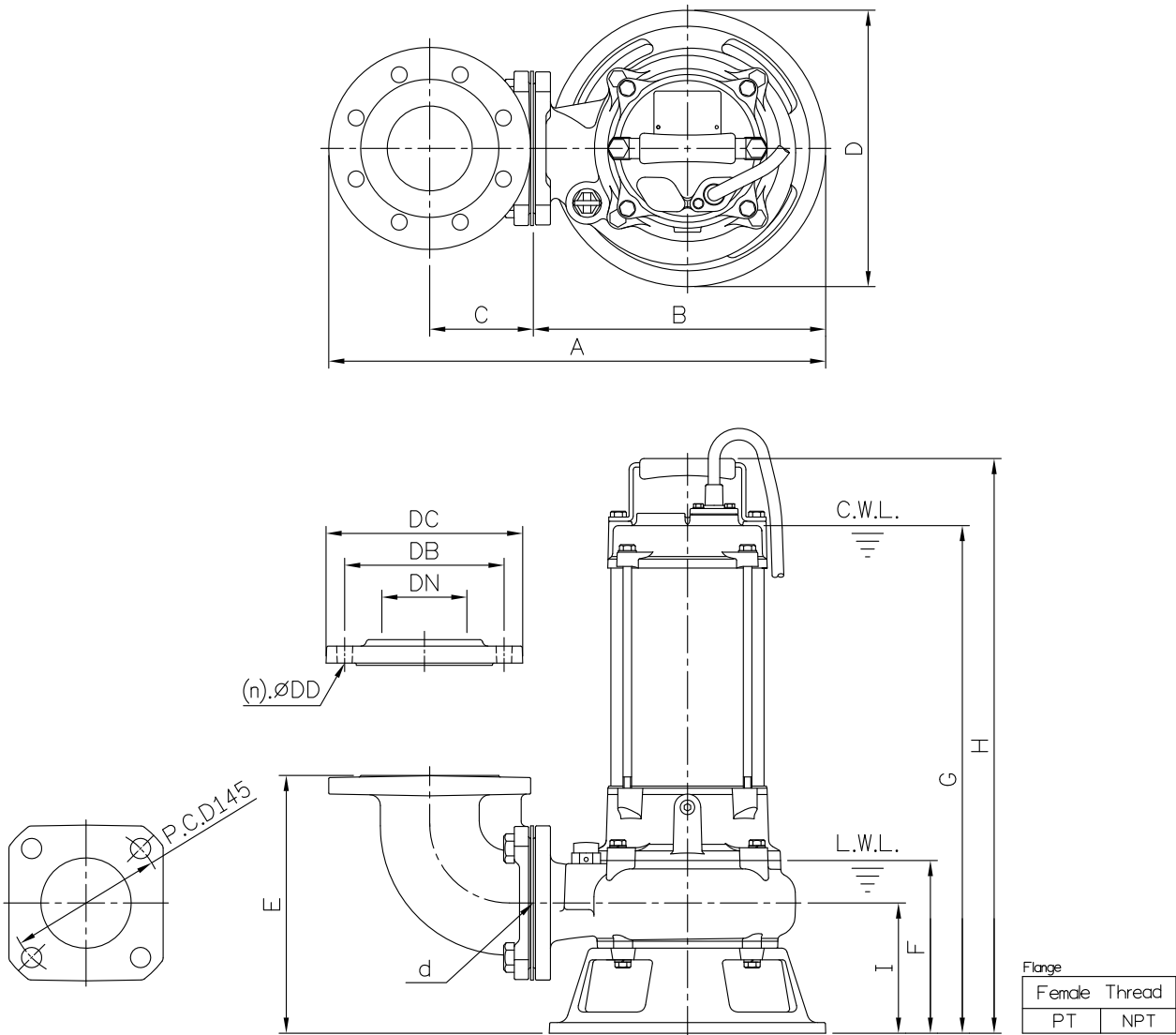


DIMENSIONS

No: S3FNP237030-00

MODEL: FN-35P

30



Dimensions-mm

Weight:Kg

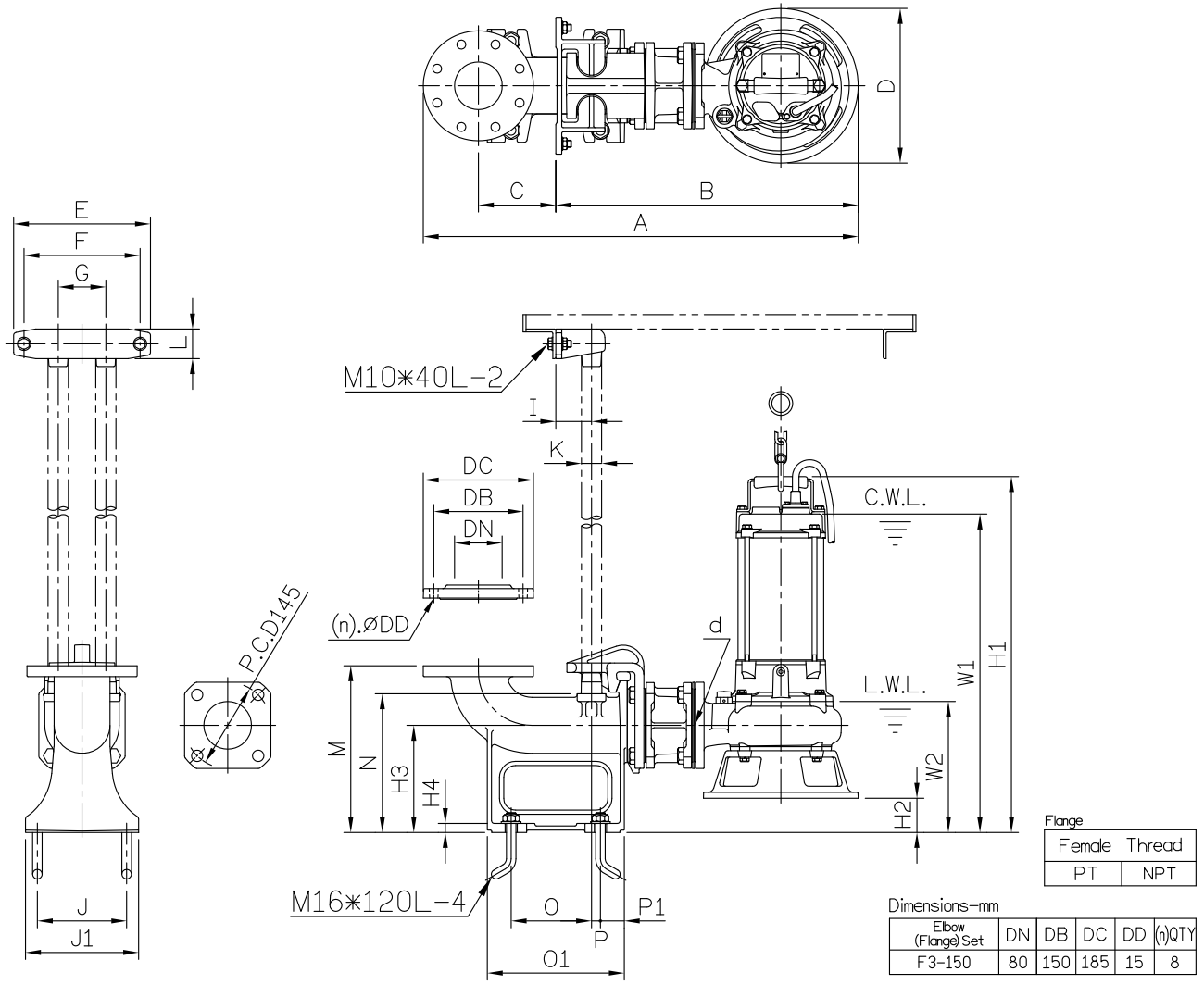
Model	d	A	B	C	D	E	F	G	H	I	WT1	Elbow (Flange) Set	DN	DB	DC	DD	(n)QTY	WT2
FN-35P	80	468	275	98	260	243	163	478	541	123	35	EB3-150A	80	150	185	15	8	12

Dimensions-inch

Weight:Lbs

Model	d	A	B	C	D	E	F	G	H	I	WT1	Elbow (Flange) Set	DN	DB	DC	DD	(n)QTY	WT2
FN-35P	3	18 ⁷ / ₁₆	10 ¹³ / ₁₆	3 ⁷ / ₈	10 ¹ / ₄	9 ⁹ / ₁₆	6 ³ / ₁₆	18 ³ / ₁₆	21 ¹ / ₁₆	4 ¹ / ₁₆	77	EB3-150A	3	5 ⁷ / ₈	7 ³ / ₁₆	5 ¹⁵ / ₁₆	8	26

C.W.L.:Continuous Running Water Level WT1:Pump Weight(Without Cable)
 L.W.L.:Lowest Running Water Level WT2:Elbow Set Weight



Dimensions-mm

Model	d	A	B	C	D	E	F	G	I	J	J1	K	L	M	N	O	O1	P	P1	W1	W2	H1	H2	H3	H4	WT1	Weight:kg	
																											GRS Set	WT2
FN-35P	80	731	508	130	260	230	195	80	60	150	190	1 ¹ / ₄	50	280	233	135	230	15	40	535	220	598	58	180	15	35	T80DH	31

Dimensions-inch

Model	d	A	B	C	D	E	F	G	I	J	J1	K	L	M	N	O	O1	P	P1	W1	W2	H1	H2	H3	H4	WT1	Weight:lb	
																											GRS Set	WT2
FN-35P	3	28 ³ / ₄	20	5 ¹ / ₈	10 ¹ / ₄	9 ¹ / ₁₆	7 ⁷ / ₁₆	3 ³ / ₈	2 ³ / ₈	5 ¹⁵ / ₁₆	7 ¹ / ₂	1 ¹ / ₄	2	11	9 ³ / ₁₆	5 ⁵ / ₁₆	9 ¹ / ₁₆	1 ¹ / ₁₆	1 ¹ / ₁₆	21 ¹ / ₁₆	8 ¹ / ₁₆	23 ³ / ₁₆	2 ⁵ / ₁₆	7 ¹ / ₁₆	3 ¹ / ₁₆	77	T80DH	68

C.W.L.:Continuous Running Water Level WT1:Pump Weight(Without Cable)
 L.W.L.:Lowest Running Water Level WT2:GRS Set Weight