

# TECHNICAL DATA

FN-32U

Date 12/22/15

Series FN

## MOTOR SPECIFICATIONS

Motor Design	Air Filled
Applications	Sewage / Effluent
Insulation Class	Class B
Maximum Liquid Temp	0-40 C ( 32 - 104 F )
Frequency	60 HZ
RPM	3440

## PUMP & MOTOR DATA

Impeller	Semi-Open
Solid	2"
Discharge	3"
Motor	2 Pole
KW /Hp	1.5 kW / 2 Hp
Phase	1 & 3
Cable	VCT or SJOW/SOW 33 Ft
Protection	Auto-Cut

## MATERIALS OF CONSTRUCTION

Motor Housing	SUS304	
Impeller	FC-200	
Volute	FC-200	
Rotor	SUS 403	
Hardware	316 SS	
O-Rings	BUNA "N"	
Upper Bearing	Roller Bearing	
Lower Bearing	Roller Bearing	
Mechanical Seal	Lower	Silicon / Silicon
	Upper	Carbon / Ceramic

## DIMENSIONS, WEIGHT

Pump weight	95 lbs.
Maximum Submergence	100 Ft.
Optional	Float Switch

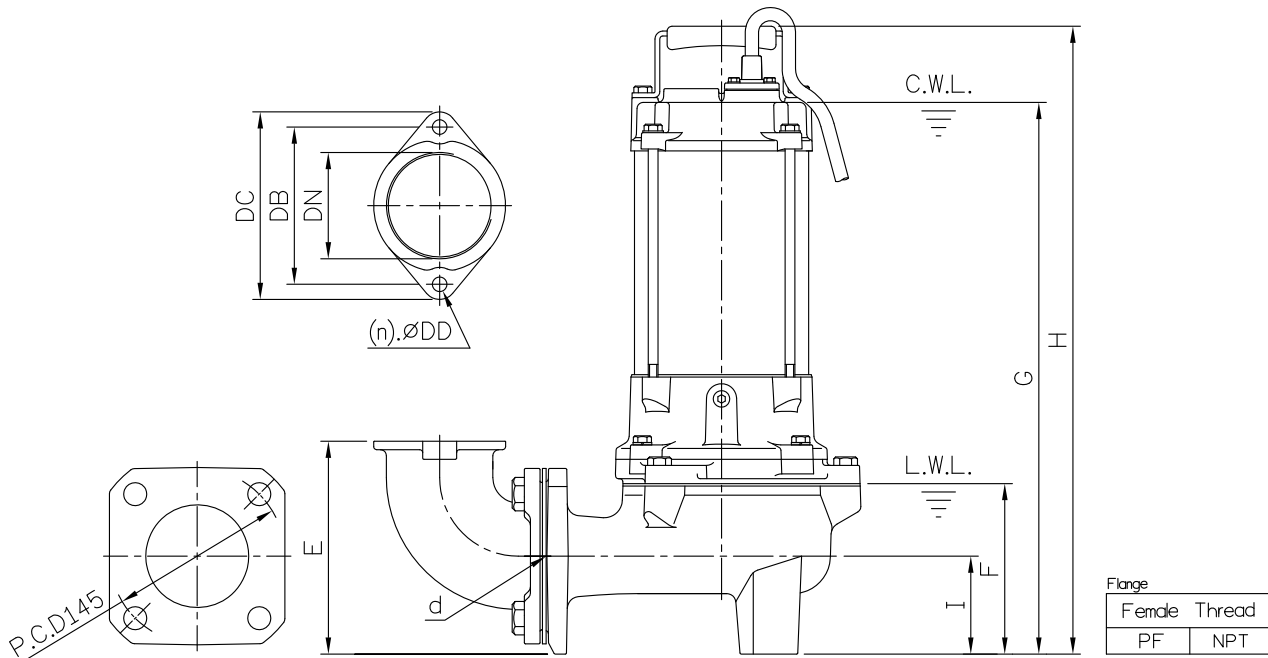
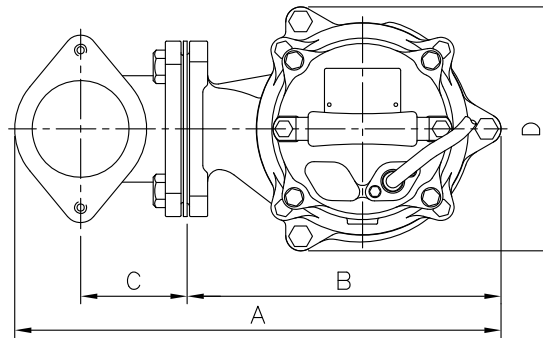
Model	FN-32U	1Ph	1Ph	3 Ph	3 Ph	3 Ph
		115	230	230	460	575
Amps			9.8	6	3	

**DIMENSIONS**

**No: S3FNU222030-00**

**MODEL: FN-32U & FN-33U**

**1Ø & 3Ø**



Dimensions-mm

Weight:kg

Model	d	A	B	C	D	E	F	G	H	I	WT1	Elbow (Flange) Set	DN	DB	DC	DD	(n)QTY	WT2
FN-32U 1Ø	80	402	260	88	202	176	140	525	588	81	32	EB3-130	80	130	155	12	2	5
FN-33U 1Ø	80	402	260	88	202	176	140	537	600	81	35	EB3-130	80	130	155	12	2	5
FN-32U 3Ø	80	402	260	88	202	176	140	456	519	81	28	EB3-130	80	130	155	12	2	5
FN-33U 3Ø	80	402	260	88	202	176	140	456	519	81	30	EB3-130	80	130	155	12	2	5

Dimensions-inch

Weight:lb

Model	d	A	B	C	D	E	F	G	H	I	WT1	Elbow (Flange) Set	DN	DB	DC	DD	(n)QTY	WT2
FN-32U 1Ø	3	15 <sup>13</sup> / <sub>16</sub>	10 <sup>3</sup> / <sub>4</sub>	3 <sup>7</sup> / <sub>16</sub>	7 <sup>15</sup> / <sub>16</sub>	6 <sup>15</sup> / <sub>16</sub>	5 <sup>1</sup> / <sub>2</sub>	20 <sup>1</sup> / <sub>16</sub>	23 <sup>3</sup> / <sub>8</sub>	3 <sup>3</sup> / <sub>16</sub>	71	EB3-130	3	5 <sup>1</sup> / <sub>8</sub>	6 <sup>1</sup> / <sub>8</sub>	1/2	2	11
FN-33U 1Ø	3	15 <sup>13</sup> / <sub>16</sub>	10 <sup>3</sup> / <sub>4</sub>	3 <sup>7</sup> / <sub>16</sub>	7 <sup>15</sup> / <sub>16</sub>	6 <sup>15</sup> / <sub>16</sub>	5 <sup>1</sup> / <sub>2</sub>	21 <sup>1</sup> / <sub>8</sub>	23 <sup>3</sup> / <sub>8</sub>	3 <sup>3</sup> / <sub>16</sub>	77	EB3-130	3	5 <sup>1</sup> / <sub>8</sub>	6 <sup>1</sup> / <sub>8</sub>	1/2	2	11
FN-32U 3Ø	3	15 <sup>13</sup> / <sub>16</sub>	10 <sup>3</sup> / <sub>4</sub>	3 <sup>7</sup> / <sub>16</sub>	7 <sup>15</sup> / <sub>16</sub>	6 <sup>15</sup> / <sub>16</sub>	5 <sup>1</sup> / <sub>2</sub>	17 <sup>15</sup> / <sub>16</sub>	20 <sup>1</sup> / <sub>16</sub>	3 <sup>3</sup> / <sub>16</sub>	62	EB3-130	3	5 <sup>1</sup> / <sub>8</sub>	6 <sup>1</sup> / <sub>8</sub>	1/2	2	11
FN-33U 3Ø	3	15 <sup>13</sup> / <sub>16</sub>	10 <sup>3</sup> / <sub>4</sub>	3 <sup>7</sup> / <sub>16</sub>	7 <sup>15</sup> / <sub>16</sub>	6 <sup>15</sup> / <sub>16</sub>	5 <sup>1</sup> / <sub>2</sub>	17 <sup>15</sup> / <sub>16</sub>	20 <sup>1</sup> / <sub>16</sub>	3 <sup>3</sup> / <sub>16</sub>	66	EB3-130	3	5 <sup>1</sup> / <sub>8</sub>	6 <sup>1</sup> / <sub>8</sub>	1/2	2	11

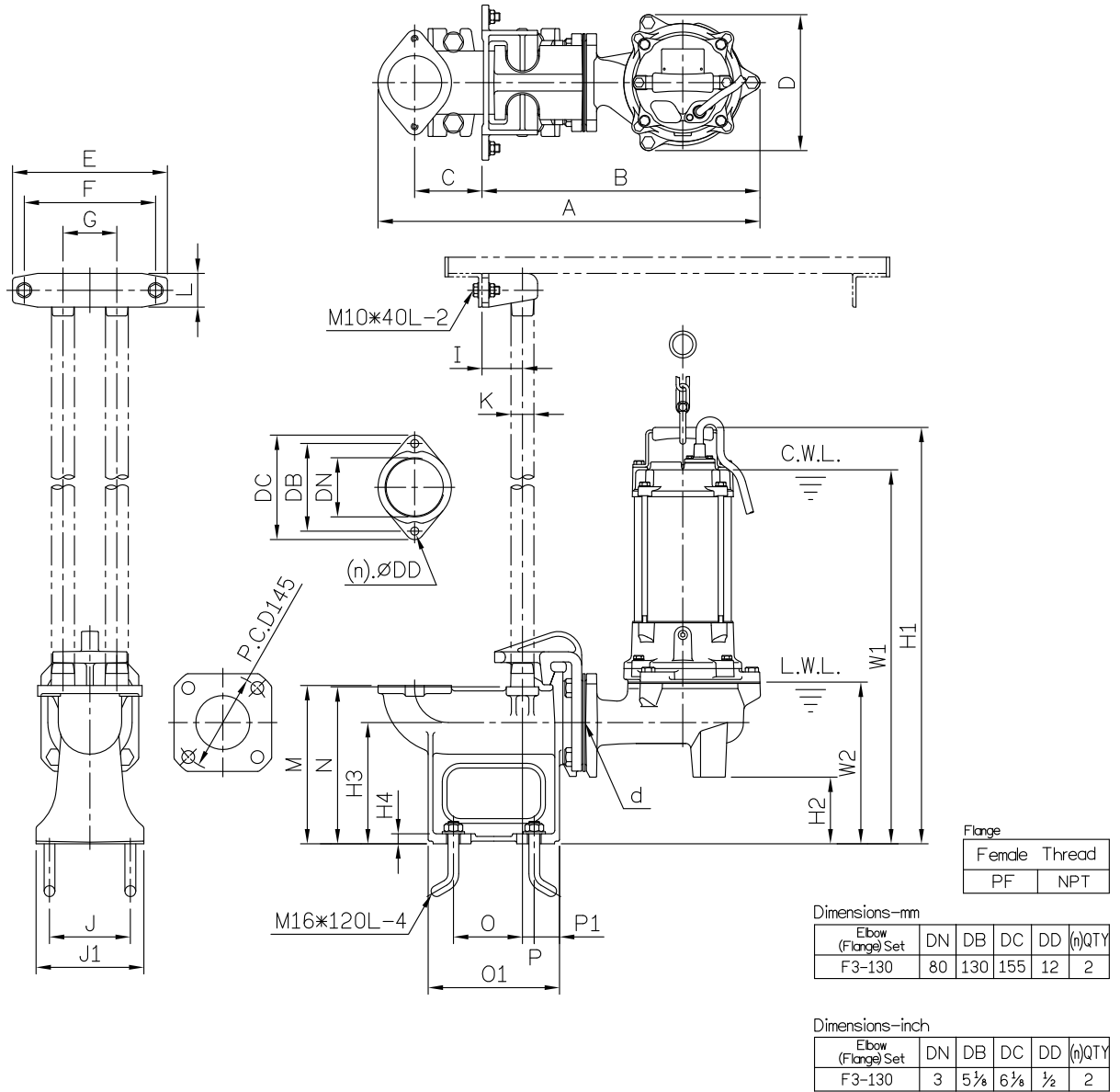
C.W.L.:Continuous Running Water Level WT1:Pump Weight(Without Cable)  
 L.W.L.:Lowest Running Water Level WT2:Elbow Set Weight

**DIMENSIONS**

**No: S3FNU22203T-00**

**MODEL: FN-32U & FN-33U**

**1 Ø & 3 Ø**



Dimensions-mm

Weight:kg

Model	d	A	B	C	D	E	F	G	I	J	J1	K	L	M	N	O	O1	P	P1	W1	W2	H1	H2	H3	H4	WT1	GRS Set	WT2
FN-32U 1Ø	80	568	413	100	202	230	195	80	60	120	160	1 1/4"	50	235	233	103	195	18	38	624	240	685	99	180	15	32	T2-80	20
FN-33U 1Ø	80	568	413	100	202	230	195	80	60	120	160	1 1/4"	50	235	233	103	195	18	38	636	240	697	99	180	15	35	T2-80	20
FN-32U 3Ø	80	568	413	100	202	230	195	80	60	120	160	1 1/4"	50	235	233	103	195	18	38	555	240	618	99	180	15	28	T2-80	20
FN-33U 3Ø	80	568	413	100	202	230	195	80	60	120	160	1 1/4"	50	235	233	103	195	18	38	555	240	618	99	180	15	30	T2-80	20

Dimensions-inch

Weight:lb

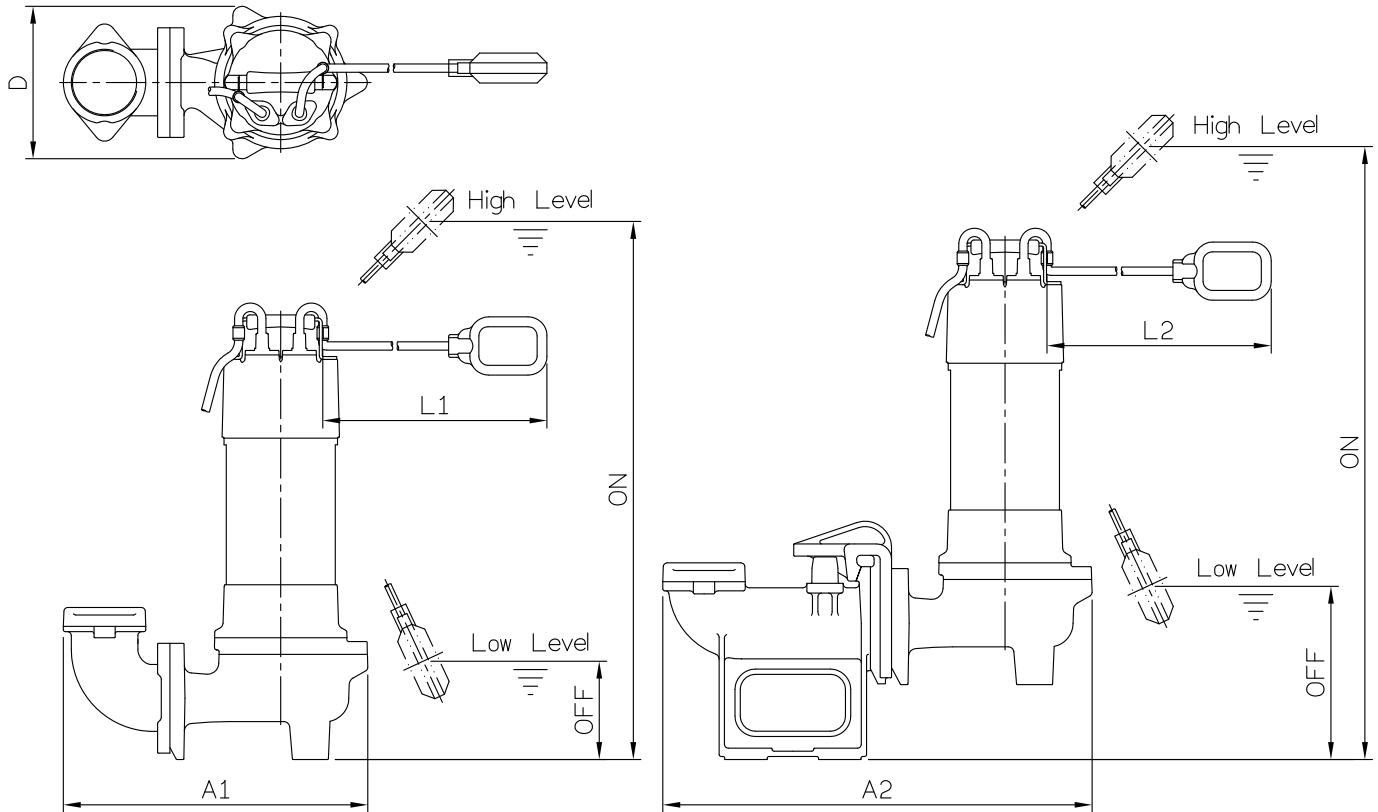
Model	d	A	B	C	D	E	F	G	I	J	J1	K	L	M	N	O	O1	P	P1	W1	W2	H1	H2	H3	H4	WT1	GRS Set	WT2
FN-32U 1Ø	3	22 3/8	16 1/4	3 15/16	7 15/16	9 1/16	7 1/16	3 3/8	2 3/8	4 3/4	6 5/16	1 1/4	2	9 1/4	9 3/16	4 1/16	7 1/16	1 1/16	1 1/2	24 3/16	9 7/16	27	3 3/8	7 1/16	9/16	71	T2-80	43
FN-33U 1Ø	3	22 3/8	16 1/4	3 15/16	7 15/16	9 1/16	7 1/16	3 3/8	2 3/8	4 3/4	6 5/16	1 1/4	2	9 1/4	9 3/16	4 1/16	7 1/16	1 1/16	1 1/2	25 1/16	9 7/16	27 7/16	3 3/8	7 1/16	9/16	77	T2-80	43
FN-32U 3Ø	3	22 3/8	16 1/4	3 15/16	7 15/16	9 1/16	7 1/16	3 3/8	2 3/8	4 3/4	6 5/16	1 1/4	2	9 1/4	9 3/16	4 1/16	7 1/16	1 1/16	1 1/2	21 1/8	9 7/16	24 5/16	3 3/8	7 1/16	9/16	62	T2-80	43
FN-33U 3Ø	3	22 3/8	16 1/4	3 15/16	7 15/16	9 1/16	7 1/16	3 3/8	2 3/8	4 3/4	6 5/16	1 1/4	2	9 1/4	9 3/16	4 1/16	7 1/16	1 1/16	1 1/2	21 1/8	9 7/16	24 5/16	3 3/8	7 1/16	9/16	66	T2-80	43

C.W.L.:Continuous Running Water Level WT1:Pump Weight(Without Cable)  
 L.W.L.:Lowest Running Water Level WT2:GRS Set Weight

**DIMENSIONS**

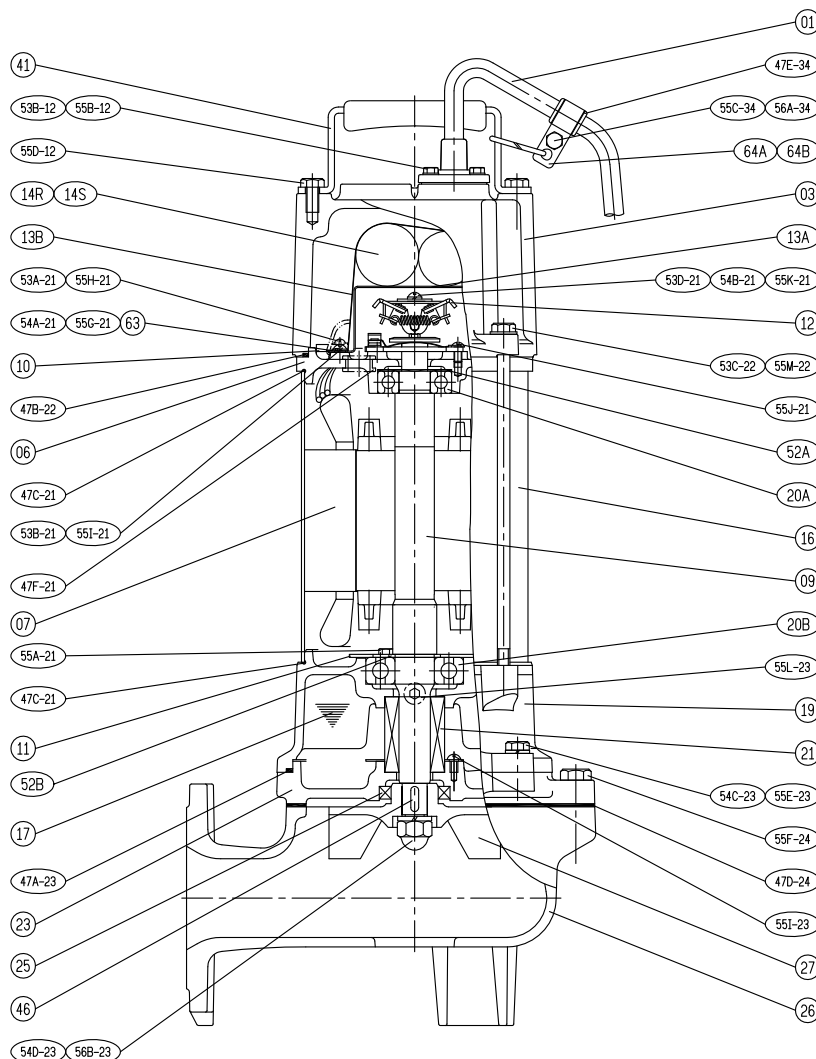
**No: SOFN00000F-00**

**Float Switch Pumps Model**



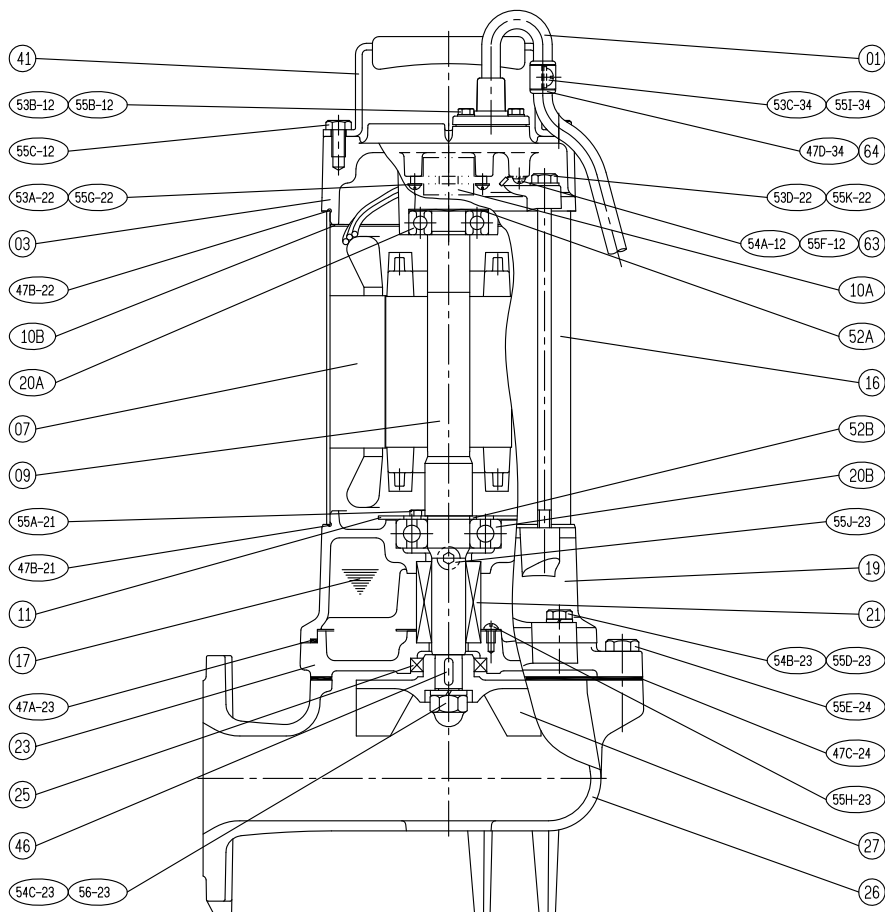
Model	Pump Only										With GRS											
	Dimensions-mm					Weight-kg		Dimensions-inch					Weight-lb		Dimensions-mm				Dimensions-inch			
	A1	D	L1	ON	OFF	WT1	WT2	A1	D	L1	ON	OFF	WT1	WT2	A2	L2	ON	OFF	A2	L2	ON	OFF
FN-22UF 1ø	288	202	455	624	174	30.5	0.5	11 <sup>5</sup> / <sub>16</sub>	7 <sup>15</sup> / <sub>16</sub>	17 <sup>15</sup> / <sub>16</sub>	24 <sup>3</sup> / <sub>16</sub>	6 <sup>7</sup> / <sub>8</sub>	67	1	583	455	651	201	22 <sup>15</sup> / <sub>16</sub>	17 <sup>15</sup> / <sub>16</sub>	25 <sup>5</sup> / <sub>8</sub>	7 <sup>15</sup> / <sub>16</sub>
FN-32UF 1ø	402	202	455	656	206	32.5	5	15 <sup>3</sup> / <sub>16</sub>	7 <sup>15</sup> / <sub>16</sub>	17 <sup>7</sup> / <sub>16</sub>	25 <sup>5</sup> / <sub>16</sub>	8 <sup>1</sup> / <sub>2</sub>	72	11	568	455	755	305	22 <sup>3</sup> / <sub>8</sub>	17 <sup>7</sup> / <sub>16</sub>	29 <sup>3</sup> / <sub>4</sub>	12
FN-33UF 1ø	402	202	455	668	218	35.5	5	15 <sup>3</sup> / <sub>16</sub>	7 <sup>15</sup> / <sub>16</sub>	17 <sup>15</sup> / <sub>16</sub>	26 <sup>5</sup> / <sub>16</sub>	8 <sup>9</sup> / <sub>16</sub>	78	11	568	455	767	317	22 <sup>3</sup> / <sub>8</sub>	17 <sup>15</sup> / <sub>16</sub>	30 <sup>3</sup> / <sub>16</sub>	12 <sup>1</sup> / <sub>2</sub>
FN-32PF 1ø	417	260	455	668	218	34.5	5	16 <sup>7</sup> / <sub>16</sub>	10 <sup>1</sup> / <sub>4</sub>	17 <sup>15</sup> / <sub>16</sub>	26 <sup>5</sup> / <sub>16</sub>	8 <sup>9</sup> / <sub>16</sub>	76	11	583	455	726	276	22 <sup>15</sup> / <sub>16</sub>	17 <sup>15</sup> / <sub>16</sub>	28 <sup>9</sup> / <sub>16</sub>	10 <sup>7</sup> / <sub>8</sub>
FN-33PF 1ø	417	260	455	680	230	37.5	5	16 <sup>7</sup> / <sub>16</sub>	10 <sup>1</sup> / <sub>4</sub>	17 <sup>7</sup> / <sub>16</sub>	26 <sup>3</sup> / <sub>4</sub>	9 <sup>1</sup> / <sub>16</sub>	83	11	583	455	738	288	22 <sup>5</sup> / <sub>8</sub>	17 <sup>15</sup> / <sub>16</sub>	29 <sup>1</sup> / <sub>16</sub>	11 <sup>1</sup> / <sub>16</sub>
FN-22UF 3ø	288	202	510	564	194	27.5	0.5	11 <sup>5</sup> / <sub>16</sub>	7 <sup>15</sup> / <sub>16</sub>	20 <sup>1</sup> / <sub>16</sub>	22 <sup>3</sup> / <sub>16</sub>	7 <sup>5</sup> / <sub>8</sub>	60.5	1	583	510	591	221	22 <sup>5</sup> / <sub>16</sub>	20 <sup>1</sup> / <sub>16</sub>	23 <sup>1</sup> / <sub>4</sub>	8 <sup>11</sup> / <sub>16</sub>
FN-32UF 3ø	402	202	510	606	236	30.5	5	15 <sup>1</sup> / <sub>16</sub>	7 <sup>15</sup> / <sub>16</sub>	20 <sup>1</sup> / <sub>16</sub>	23 <sup>3</sup> / <sub>8</sub>	9 <sup>5</sup> / <sub>16</sub>	67	11	568	510	705	335	22 <sup>3</sup> / <sub>8</sub>	20 <sup>1</sup> / <sub>16</sub>	27 <sup>3</sup> / <sub>4</sub>	13 <sup>3</sup> / <sub>16</sub>
FN-33UF 3ø	402	202	510	606	236	32.5	5	15 <sup>1</sup> / <sub>16</sub>	7 <sup>15</sup> / <sub>16</sub>	20 <sup>1</sup> / <sub>16</sub>	23 <sup>3</sup> / <sub>8</sub>	9 <sup>5</sup> / <sub>16</sub>	72	11	568	510	705	335	22 <sup>3</sup> / <sub>8</sub>	20 <sup>1</sup> / <sub>16</sub>	27 <sup>3</sup> / <sub>4</sub>	13 <sup>3</sup> / <sub>16</sub>
FN-32PF 3ø	417	260	510	608	238	32.5	5	16 <sup>7</sup> / <sub>16</sub>	10 <sup>1</sup> / <sub>4</sub>	20 <sup>1</sup> / <sub>16</sub>	23 <sup>5</sup> / <sub>16</sub>	9 <sup>3</sup> / <sub>8</sub>	72	11	583	510	666	296	22 <sup>5</sup> / <sub>16</sub>	20 <sup>1</sup> / <sub>16</sub>	26 <sup>1</sup> / <sub>4</sub>	11 <sup>5</sup> / <sub>8</sub>
FN-33PF 3ø	417	260	510	608	238	34.5	5	16 <sup>7</sup> / <sub>16</sub>	10 <sup>1</sup> / <sub>4</sub>	20 <sup>1</sup> / <sub>16</sub>	23 <sup>1</sup> / <sub>16</sub>	9 <sup>3</sup> / <sub>8</sub>	76	11	583	510	666	296	22 <sup>5</sup> / <sub>16</sub>	20 <sup>1</sup> / <sub>16</sub>	26 <sup>1</sup> / <sub>4</sub>	11 <sup>5</sup> / <sub>8</sub>

WT1:Pump Weight(including float switch)  
WT2:Elbow Set Weight



No.	Part name	Material	QTY	Remark
01	Cable		1	
03	Upper cover	FC200	1	
06	Bracket	FC200	1	
07	Stator		1	
09	Shaft end	SUS403	1	
10	Auto-cut		1	
11	Bearing fixer	SPCC	1	
12	Centrifugal switch		1	
14R	Capacitor		1	
14S	Start capacitor		1	
16	Motor frame	SUS304	1	
17	Lubricant			
19	Bearing bracket	FC200	1	

No.	Part name	Material	QTY	Remark
20A	Bearing		1	
20B	Bearing		1	
21	M.seal	CA / CE & SIC / SIC	1	
23	M.seal bracket	FC200	1	
25	Oil seal	NBR	1	
26	Casing	FC200	1	
27	Impeller	FC200	1	
41	Handle	SUS304	1	
46	Impeller key	SUS304	1	
47	Packing			



No.	Part name	Material	QTY	Remark
01	Cable		1	
03	Upper cover	FC200	1	
07	Stator		1	
09	Shaft end	SUS403	1	
10A	Auto-cut		1	
10B	Auto-cut plate		1	
11	Bearing fixer	SPCC	1	
16	Motor frame	SUS304	1	
17	Lubricant			
19	Bearing bracket	FC200	1	
20A	Bearing		1	
20B	Bearing		1	
21	M.seal	CA / CE & SIC / SIC	1	

No.	Part name	Material	QTY	Remark
23	M.seal bracket	FC200	1	
25	Oil seal	NBR	1	
26	Casing	FC200	1	
27	Impeller	FC200	1	
41	Handle	SUS304	1	
46	Impeller key	SUS304	1	
47	Packing			



## FN GENERAL SEWAGE PUMP

## SPARE PARTS

MODEL:FN-32U 60HZ3PH230460V P230V

No	Part Number	Part Name	Specifications	Material	Quantity	Unit
01	E01-0134NE0RA00-0	CABLE	SOW 16AWG*4C*30ft-ψ10.8、RA	SOW	1	PC
03	B03-0140SP00003-0	UPPER COVER	S140-P-64-3ψ	FC200	1	PC
07	E07-0F21582BT02-0	STATOR WINDING	140*75*65-2P1.5kW3ψ82B-12拔 Y-2Y	C-60	1	PC
09	A09-0F0253A0009-1	ROTORSHAFT	2P-74.3*25*64-298-3ψA	SUS403	1	PC
10B	E10-0C140000000-0	AUTO-CUT PLATE	140*65*1		1	PC
10A	E10-0H313000000-0	AUTO-CUT	AC33-15X0(K232A)		1	PC
11	E11-06305000000-0	BEARING FIXER	6305-72	SPCC	1	PC
16	A16-0140SP00005-0	MOTOR FRAME	S140-P-185	SUS304-2B	1	PC
17	I17-0D032000000-0	GREEN LUBRICANT	FOOD GRADE LUBRICANT VG32(Unit:CC)		800	CC
19	B19-0140SP00003-0	BEARING BRACKET	S140-P-62-78	FC200	1	PC
20A	F20-06204B00000-0	BEARING	6204ZZC3		1	PC
20B	F20-06305B00000-0	BEARING	6305ZZC3		1	PC
21	F21-0B020NS0001-0	M. SEAL	ED560N-M20	CA/CE&SIC/SIC	1	PC
23	B23-0140S000002-0	M. SEAL BRACKET	S140-38-27	FC200	1	PC
25	F25-0S300450800-0	OIL SEAL	SC-30*45*8	304+NBR	1	PC
26	B26-0140S300004-0	CASING	S140-3-139	FC200	1	PC
27	B27-032156U0001-0	IMPELLER	3"2P-1.5kW60Hz-U-102	FC200	1	PC
41	A41-0U130000000-0	HANDLE	U-130-59	SUS304+NBR	1	PC
46	A46-0A050501600-0	IMPELLER KEY	A-5*5*15.5	SUS304	1	PC
47A-23	G47-0AB155N0000-0	ORING	A-B155(155*3)-N	NBR	1	PC
47B-21	G47-0AH137N0000-0	ORING	A-H137(137*2)-N	NBR	1	PC
47B-12	G47-0AH137N0000-0	ORING	A-H137(137*2)-N	NBR	1	PC
47C-24	G47-0DH205N0000-0	CASING PACKING	D-H-205-N	NBR	1	PC
47D-34	G47-0EC010N0000-0	CABLE COVER	E-C010(9.5*19)-N	NBR	1	PC
48-12	H48-0D200000000-0	CONNECTOR	CE-2		1	PC
48-22	H48-0D200000000-0	CONNECTOR	CE-2		3	PC
52A	H52-0A620400000-0	WAVE WASHER	6204		1	PC
52B	H52-0B025000000-0	BEARING WASHER	6305-25	SS400	1	PC
53A-22	H53-0A041000001-0	WASHER	A-M4-1 (4.3*9.9*1)		2	PC
53B-12	H53-0A051000001-0	WASHER	A-M5 (5.4*9.8*1)	SUS304	2	PC
53C-34	H53-0A061300000-0	WASHER	A-M6 (6.5*12.4*1.5)	SUS304	1	PC
53D-22	H53-0A081600000-0	WASHER	A-M8 (8.5*15.9*1.5)	SUS304	4	PC
54A-12	H54-0A040000000-0	SPRING WASHER	M4		1	PC
54B-23	H54-0A080000000-0	SPRING WASHER	M8	SUS304	4	PC
54C-23	H54-0A120000000-0	SPRING WASHER	M12	SUS304	1	PC
55A-21	H55-0A050100001-0	HEX HEAD CAP SCREWS(HEX BOLTS)	A-M5*10		3	PC
55B-12	H55-0A050150000-0	HEX HEAD CAP SCREWS(HEX BOLTS)	A-M5*15	SUS304	2	PC
55C-12	H55-0A080160000-0	HEX HEAD CAP SCREWS(HEX BOLTS)	A-M8*16	SUS304	2	PC
55D-23	H55-0A080250000-0	HEX HEAD CAP SCREWS(HEX BOLTS)	A-M8*25	SUS304	4	PC
55E-24	H55-0A100300000-0	HEX HEAD CAP SCREWS(HEX BOLTS)	A-M10*30	SUS304	3	PC
55F-12	H55-0C040080001-0	SCREW	C-M4*8		1	PC
55G-22	H55-0C040120000-0	SCREW	C-M4*12		2	PC
55H-23	H55-0C050080000-0	SCREW	C-M5*8		3	PC
55I-34	H55-0C060080000-0	SCREW	C-M6*8	SUS304	1	PC
55J-23	H55-0E070100000-0	OIL PLUG	E-1/4*10	SUS304	1	PC
55K-22	H55-0Z082150000-0	LONG SCREW	Z-M8*215	SUS304	4	PC
56-23	H56-0B120000000-0	CAP NUT	B-M12	SUS304	1	PC
63	E63-0D13KA00002-0	EARTH WIRE	16AWG*130黃綠-R(ψ4)+10脫	PVC	1	PC
64	H64-0A021000000-0	CABLE CLIP	A21	SUS304-2B	1	PC

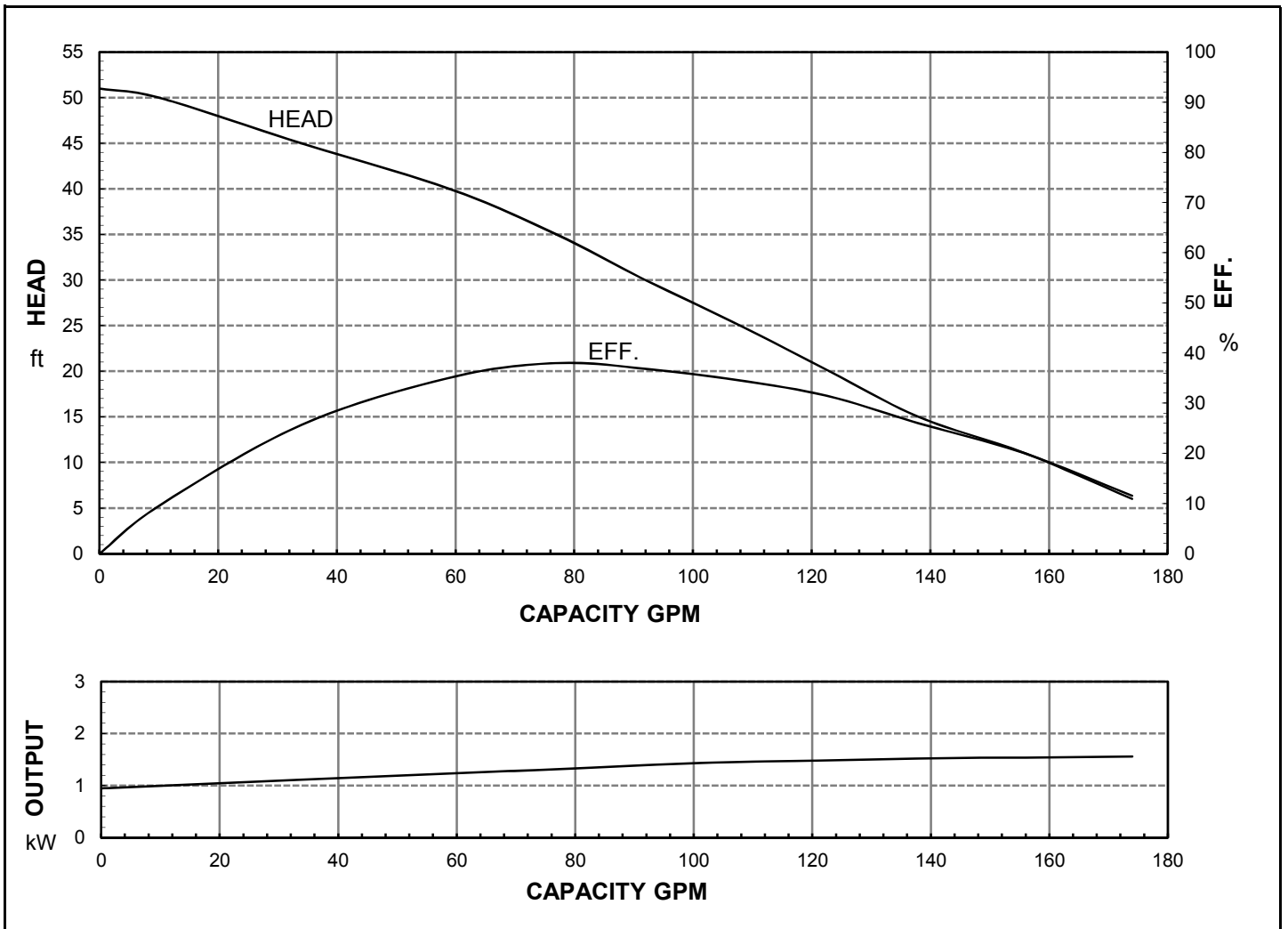


# HCP PUMP

FILE NO PC-FT-E6-FN32U1

## PUMP PERFORMANCE CURVES

MODEL	FN-32U					DATE:	
	STANDARD SPECIFICATION					REFERENCE SPECIFICATION	
FREQUENCY	60				Hz		
DISCHARGE	3	inch	/	80	mm		
OUTPUT	2	HP	/	1.5	kW	HP	kW
HEAD	26				ft		
CAPACITY	105				GPM		
PHASE/VOLTAGE	1	Ø	220 V	230 V	240 V	Ø	V
RATED CURRENT		10.0 A	9.8 A	9.6 A			A
POLE / rpm	2	P	/	3440	rpm		
START METHOD	DIRECT						
INSULATION CLASS	B						
REMARK							



**HCP PUMP MANUFACTURER CO.,LTD.**



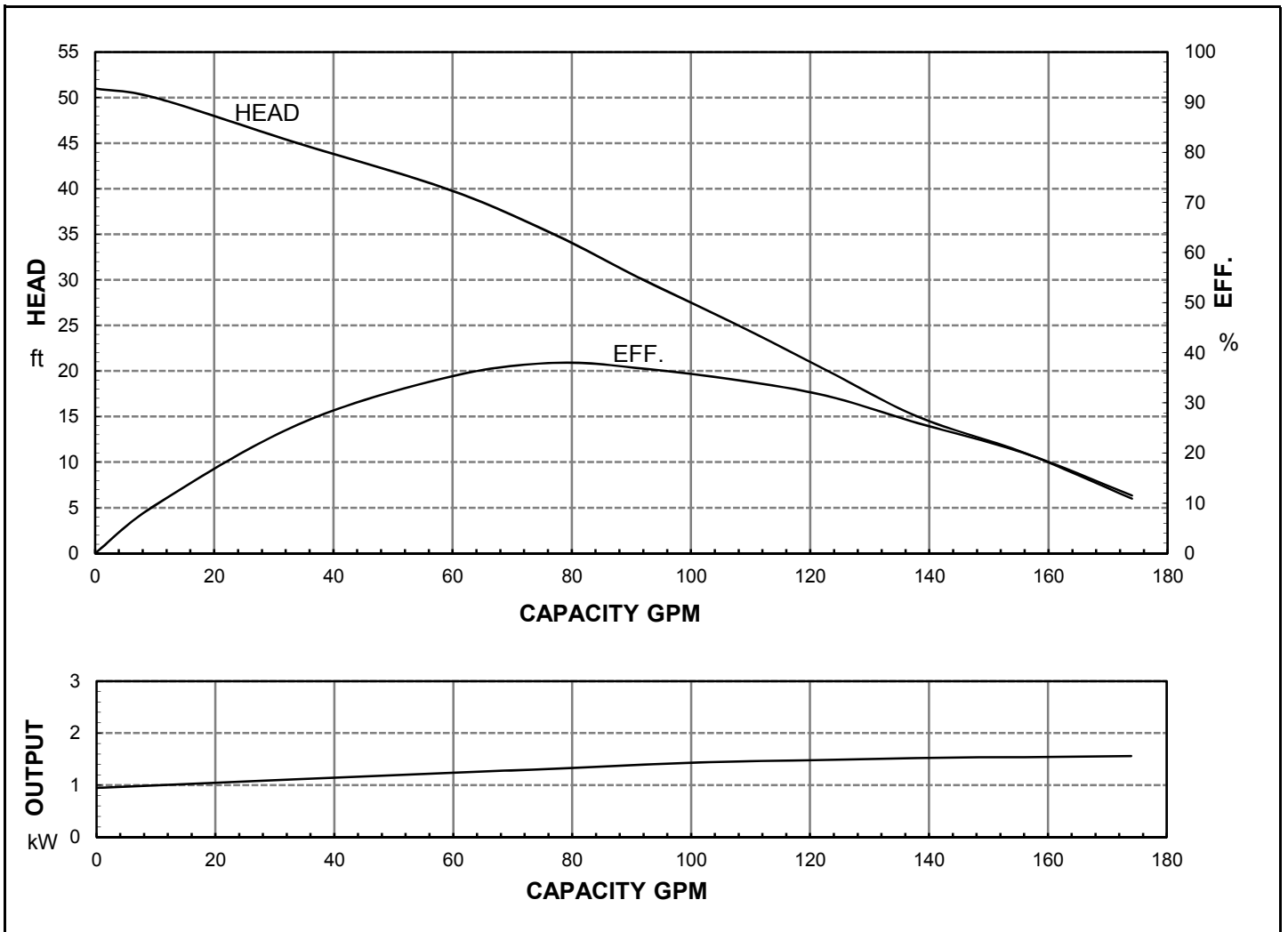


# HCP PUMP

FILE NO PC-FT-E6-FN32U3

## PUMP PERFORMANCE CURVES

MODEL	FN-32U						DATE:	
	STANDARD SPECIFICATION						REFERENCE SPECIFICATION	
FREQUENCY	60 Hz							
DISCHARGE	3	inch	/	80	mm			
OUTPUT	2	HP	/	1.5	kW	HP	kW	
HEAD	26 ft							
CAPACITY	105 GPM							
PHASE/VOLTAGE	3 Ø	220 V	230 V	440 V	460 V	575 V	Ø V	
RATED CURRENT		6.0 A	6.0 A	3.0 A	3.0 A	2.4 A	A	
POLE / rpm	2	P	/	3440	rpm			
START METHOD	DIRECT							
INSULATION CLASS	B							
REMARK								



**HCP PUMP MANUFACTURER CO.,LTD.**