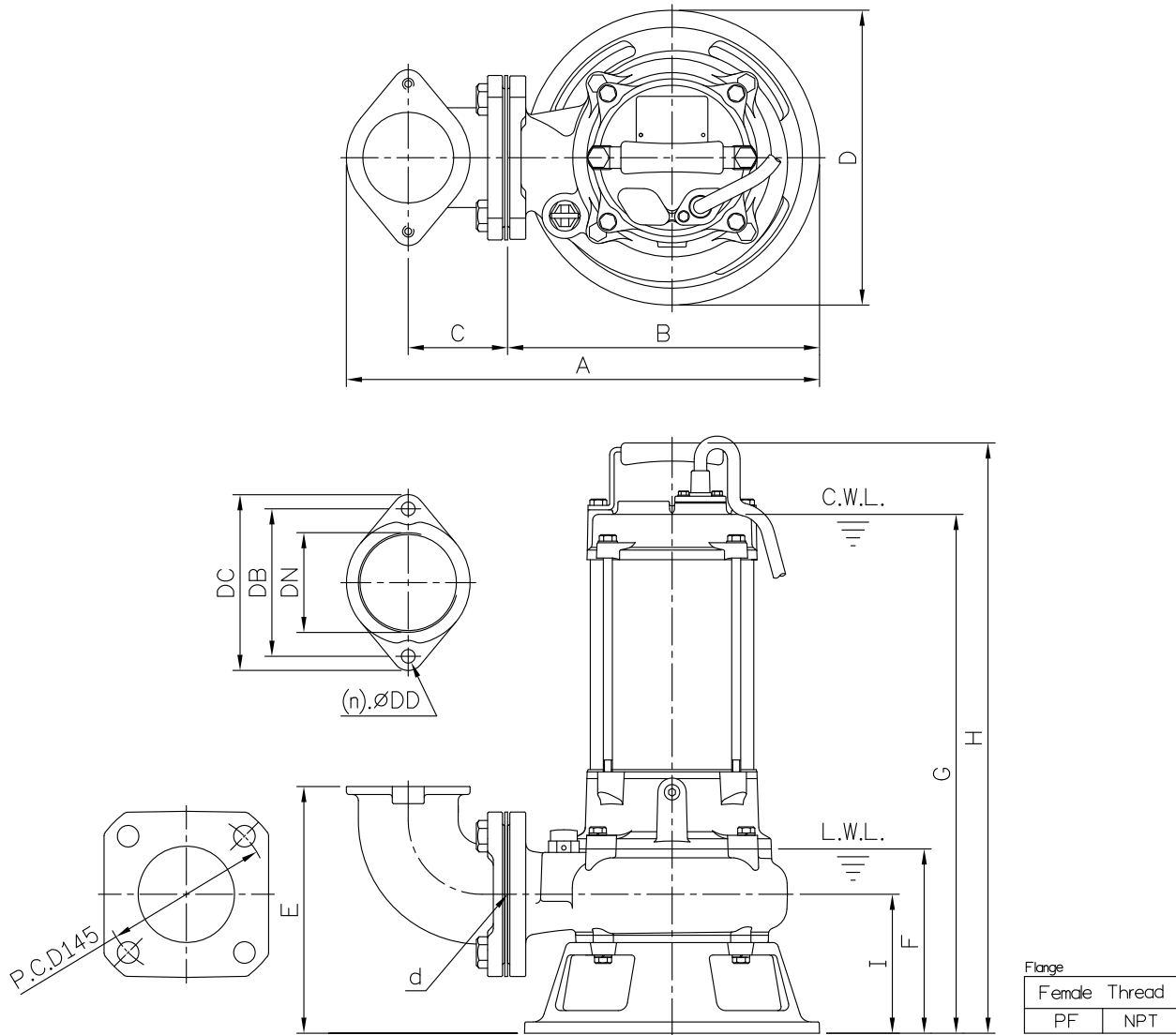


DIMENSIONS

No: S3FNP222030-00

MODEL: FN-32P & FN-33P

1Ø & 3Ø



Dimensions-mm

Weight:kg

Model	d	A	B	C	D	E	F	G	H	I	WT1	Elbow (Flange) Set	DN	DB	DC	DD	(n)QTY	WT2
FN-32P 1Ø	80	417	275	88	260	218	163	527	590	123	34	EB3-130	80	130	155	12	2	5
FN-33P 1Ø	80	417	275	88	260	218	163	539	602	123	37	EB3-130	80	130	155	12	2	5
FN-32P 3Ø	80	417	275	88	260	218	163	458	521	123	30	EB3-130	80	130	155	12	2	5
FN-33P 3Ø	80	417	275	88	260	218	163	458	521	123	32	EB3-130	80	130	155	12	2	5

Dimensions-inch

Weight:lb

Model	d	A	B	C	D	E	F	G	H	I	WT1	Elbow (Flange) Set	DN	DB	DC	DD	(n)QTY	WT2
FN-32P 1Ø	3	16 ⁷ / ₁₆	10 ³ / ₁₆	3 ⁷ / ₁₆	10 ¹ / ₄	8 ⁸ / ₁₆	6 ⁷ / ₁₆	20 ³ / ₄	23 ³ / ₄	4 ¹³ / ₁₆	75	EB3-130	3	5 ¹ / ₈	6 ¹ / ₈	1/2	2	11
FN-33P 1Ø	3	16 ⁷ / ₁₆	10 ³ / ₁₆	3 ⁷ / ₁₆	10 ¹ / ₄	8 ⁸ / ₁₆	6 ⁷ / ₁₆	21 ¹ / ₄	23 ³ / ₄	4 ¹³ / ₁₆	82	EB3-130	3	5 ¹ / ₈	6 ¹ / ₈	1/2	2	11
FN-32P 3Ø	3	16 ⁷ / ₁₆	10 ³ / ₁₆	3 ⁷ / ₁₆	10 ¹ / ₄	8 ⁸ / ₁₆	6 ⁷ / ₁₆	18 ¹ / ₁₆	20 ¹ / ₂	4 ¹³ / ₁₆	66	EB3-130	3	5 ¹ / ₈	6 ¹ / ₈	1/2	2	11
FN-33P 3Ø	3	16 ⁷ / ₁₆	10 ³ / ₁₆	3 ⁷ / ₁₆	10 ¹ / ₄	8 ⁸ / ₁₆	6 ⁷ / ₁₆	18 ¹ / ₁₆	20 ¹ / ₂	4 ¹³ / ₁₆	71	EB3-130	3	5 ¹ / ₈	6 ¹ / ₈	1/2	2	11

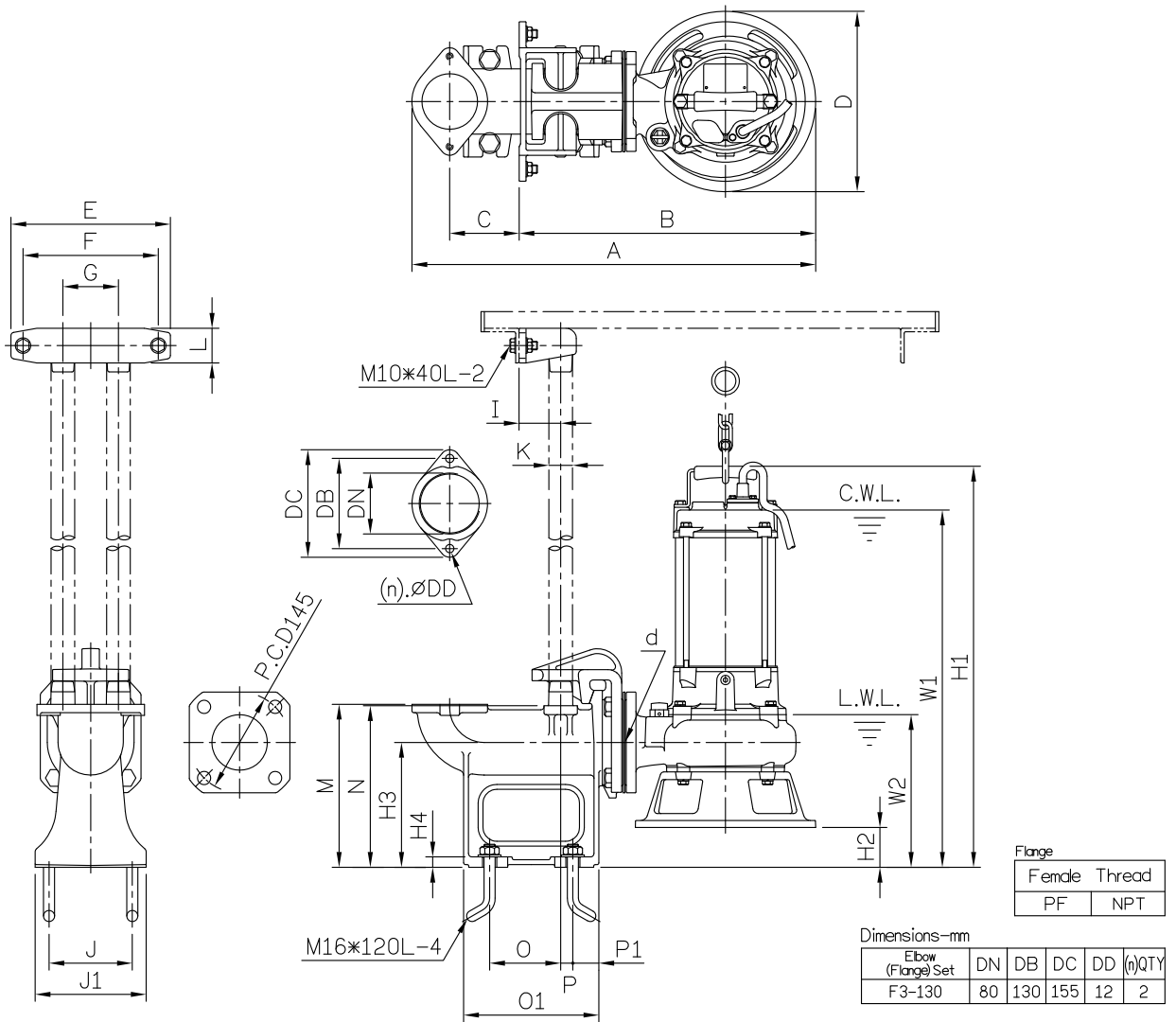
C.W.L.:Continuous Running Water Level WT1:Pump Weight(Without Cable)
L.W.L.:Lowest Running Water Level WT2:Elbow Set Weight

DIMENSIONS

No: S3FNP22203T-00

MODEL: FN-32P & FN-33P

1 Ø & 3 Ø



Dimensions-mm

Weight:kg

Model	d	A	B	C	D	E	F	G	I	J	J1	K	L	M	N	O	O1	P	P1	W1	W2	H1	H2	H3	H4	WT1	GRS Set	WT2
FN-32P 1Ø	80	583	428	100	260	230	195	80	60	120	160	1 1/4"	50	235	233	103	195	18	38	584	220	647	58	180	15	34	T2-80	20
FN-33P 1Ø	80	583	428	100	260	230	195	80	60	120	160	1 1/4"	50	235	233	103	195	18	38	596	220	659	58	180	15	37	T2-80	20
FN-32P 3Ø	80	583	428	100	260	230	195	80	60	120	160	1 1/4"	50	235	233	103	195	18	38	515	220	578	58	180	15	30	T2-80	20
FN-33P 3Ø	80	583	428	100	260	230	195	80	60	120	160	1 1/4"	50	235	233	103	195	18	38	515	220	578	58	180	15	32	T2-80	20

Dimensions-inch

Weight:lb

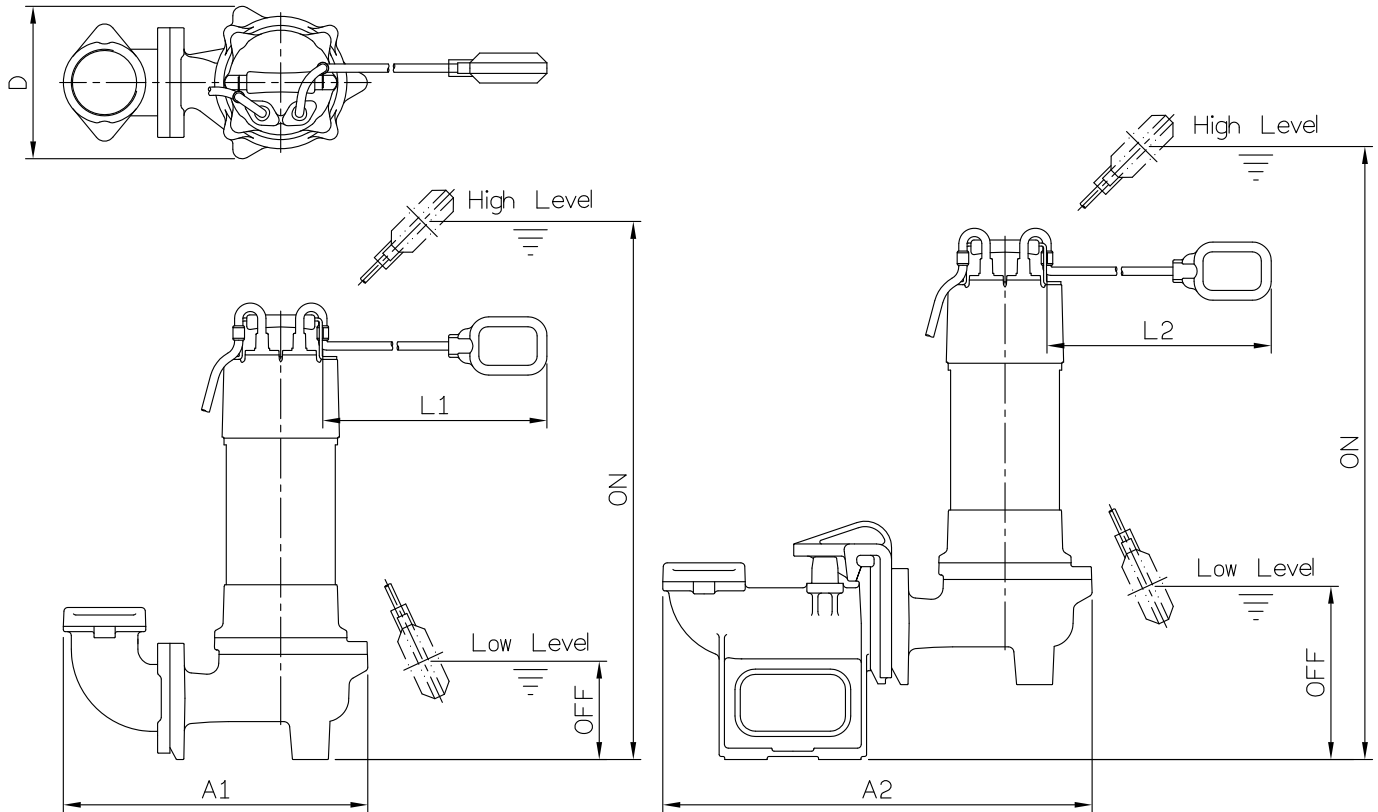
Model	d	A	B	C	D	E	F	G	I	J	J1	K	L	M	N	O	O1	P	P1	W1	W2	H1	H2	H3	H4	WT1	GRS Set	WT2
FN-32P 1Ø	3	22 5/8	16 5/8	3 15/16	10 1/4	9 1/8	7 1/8	3 3/8	2 3/8	4 3/4	6 5/16	1 1/4	2	9 1/4	9 3/16	4 1/16	7 11/16	1 1/16	1 1/2	23	8 11/16	25 1/2	2 5/16	7 1/8	9/16	75	T2-80	43
FN-33P 1Ø	3	22 5/8	16 5/8	3 15/16	10 1/4	9 1/8	7 1/8	3 3/8	2 3/8	4 3/4	6 5/16	1 1/4	2	9 1/4	9 3/16	4 1/16	7 11/16	1 1/16	1 1/2	23 1/16	8 11/16	25 1/8	2 5/16	7 1/8	9/16	82	T2-80	43
FN-32P 3Ø	3	22 5/8	16 5/8	3 15/16	10 1/4	9 1/8	7 1/8	3 3/8	2 3/8	4 3/4	6 5/16	1 1/4	2	9 1/4	9 3/16	4 1/16	7 11/16	1 1/16	1 1/2	20 3/4	8 11/16	22 3/4	2 5/16	7 1/8	9/16	66	T2-80	43
FN-33P 3Ø	3	22 5/8	16 5/8	3 15/16	10 1/4	9 1/8	7 1/8	3 3/8	2 3/8	4 3/4	6 5/16	1 1/4	2	9 1/4	9 3/16	4 1/16	7 11/16	1 1/16	1 1/2	20 3/4	8 11/16	22 3/4	2 5/16	7 1/8	9/16	71	T2-80	43

C.W.L.:Continuous Running Water Level WT1:Pump Weight(Without Cable)
 L.W.L.:Lowest Running Water Level WT2:GRS Set Weight

DIMENSIONS

No: SOFN00000F-00

Float Switch Pumps Model



Model	Pump Only											With GRS										
	Dimensions-mm					Weight-kg		Dimensions-inch					Weight-lb		Dimensions-mm				Dimensions-inch			
	A1	D	L1	ON	OFF	WT1	WT2	A1	D	L1	ON	OFF	WT1	WT2	A2	L2	ON	OFF	A2	L2	ON	OFF
FN-22UF 1ø	288	202	455	624	174	30.5	0.5	11 ⁵ / ₁₆	7 ¹⁵ / ₁₆	17 ¹⁵ / ₁₆	24 ³ / ₁₆	6 ⁷ / ₈	67	1	583	455	651	201	22 ¹⁵ / ₁₆	17 ¹⁵ / ₁₆	25 ⁵ / ₈	7 ¹⁵ / ₁₆
FN-32UF 1ø	402	202	455	656	206	32.5	5	15 ³ / ₁₆	7 ¹⁵ / ₁₆	17 ¹⁵ / ₁₆	25 ⁵ / ₁₆	8 ¹ / ₂	72	11	568	455	755	305	22 ³ / ₈	17 ¹⁵ / ₁₆	29 ³ / ₄	12
FN-33UF 1ø	402	202	455	668	218	35.5	5	15 ³ / ₁₆	7 ¹⁵ / ₁₆	17 ¹⁵ / ₁₆	26 ⁵ / ₁₆	8 ⁹ / ₁₆	78	11	568	455	767	317	22 ³ / ₈	17 ¹⁵ / ₁₆	30 ³ / ₁₆	12 ¹ / ₂
FN-32PF 1ø	417	260	455	668	218	34.5	5	16 ⁷ / ₁₆	10 ¹ / ₄	17 ¹⁵ / ₁₆	26 ⁵ / ₁₆	8 ⁹ / ₁₆	76	11	583	455	726	276	22 ¹⁵ / ₁₆	17 ¹⁵ / ₁₆	28 ⁹ / ₁₆	10 ⁷ / ₈
FN-33PF 1ø	417	260	455	680	230	37.5	5	16 ⁷ / ₁₆	10 ¹ / ₄	17 ¹⁵ / ₁₆	26 ³ / ₄	9 ¹ / ₁₆	83	11	583	455	738	288	22 ⁵ / ₈	17 ¹⁵ / ₁₆	29 ¹ / ₁₆	11 ¹ / ₁₆
FN-22UF 3ø	288	202	510	564	194	27.5	0.5	11 ⁵ / ₁₆	7 ¹⁵ / ₁₆	20 ¹ / ₁₆	22 ³ / ₁₆	7 ⁵ / ₈	60.5	1	583	510	591	221	22 ⁵ / ₁₆	20 ¹ / ₁₆	23 ¹ / ₄	8 ¹¹ / ₁₆
FN-32UF 3ø	402	202	510	606	236	30.5	5	15 ¹ / ₁₆	7 ¹⁵ / ₁₆	20 ¹ / ₁₆	23 ³ / ₈	9 ⁵ / ₁₆	67	11	568	510	705	335	22 ³ / ₈	20 ¹ / ₁₆	27 ³ / ₄	13 ³ / ₁₆
FN-33UF 3ø	402	202	510	606	236	32.5	5	15 ¹ / ₁₆	7 ¹⁵ / ₁₆	20 ¹ / ₁₆	23 ³ / ₈	9 ⁵ / ₁₆	72	11	568	510	705	335	22 ³ / ₈	20 ¹ / ₁₆	27 ³ / ₄	13 ³ / ₁₆
FN-32PF 3ø	417	260	510	608	238	32.5	5	16 ⁷ / ₁₆	10 ¹ / ₄	20 ¹ / ₁₆	23 ⁵ / ₁₆	9 ³ / ₈	72	11	583	510	666	296	22 ⁵ / ₁₆	20 ¹ / ₁₆	26 ¹ / ₄	11 ⁵ / ₈
FN-33PF 3ø	417	260	510	608	238	34.5	5	16 ⁷ / ₁₆	10 ¹ / ₄	20 ¹ / ₁₆	23 ¹ / ₁₆	9 ³ / ₈	76	11	583	510	666	296	22 ⁵ / ₁₆	20 ¹ / ₁₆	26 ¹ / ₄	11 ⁵ / ₈

WT1:Pump Weight(including float switch)
WT2:Elbow Set Weight