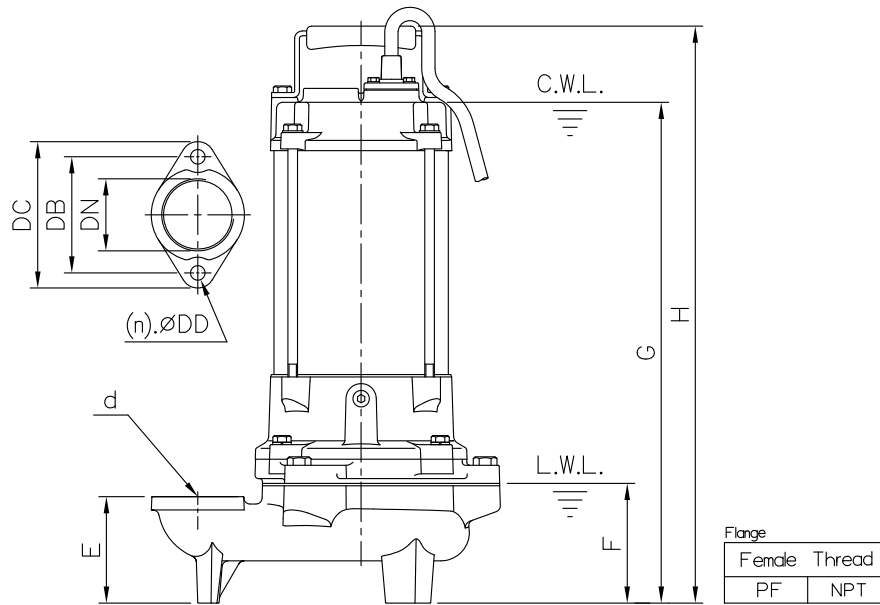
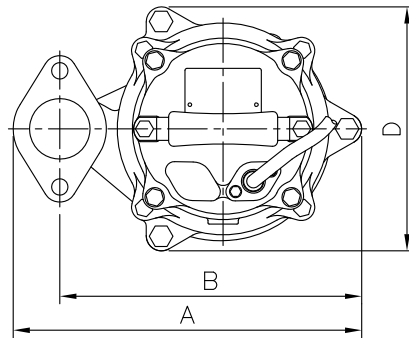


DIMENSIONS

No: S2FNU215030-00

MODEL: FN-22U

1 Ø & 3 Ø



Dimensions—mm

Weight:kg

Model	d	A	B	D	E	F	G	H	WT1	Elbow (Flange) Set	DN	DB	DC	DD	(n)QTY	WT2
FN-22U 1Ø	50	288	250	202	88	100	483	546	30	EF2-96	50	96	121	12	2	1
FN-22U 3Ø	50	288	250	202	88	100	415	477	25	EF2-96	50	96	121	12	2	1

Dimensions—inch

Weight:lb

Model	d	A	B	D	E	F	G	H	WT1	Elbow (Flange) Set	DN	DB	DC	DD	(n)QTY	WT2
FN-22U 1Ø	2	11 ⁵ / ₁₆	9 ³ / ₁₆	7 ¹⁵ / ₁₆	3 ⁷ / ₁₆	3 ¹⁵ / ₁₆	19	21 ¹ / ₂	66	EF2-96	2	3 ³ / ₄	4 ³ / ₄	1/2	2	1
FN-22U 3Ø	2	11 ⁵ / ₁₆	9 ³ / ₁₆	7 ¹⁵ / ₁₆	3 ⁷ / ₁₆	3 ¹⁵ / ₁₆	16 ⁵ / ₁₆	18 ³ / ₄	55	EF2-96	2	3 ³ / ₄	4 ³ / ₄	1/2	2	1

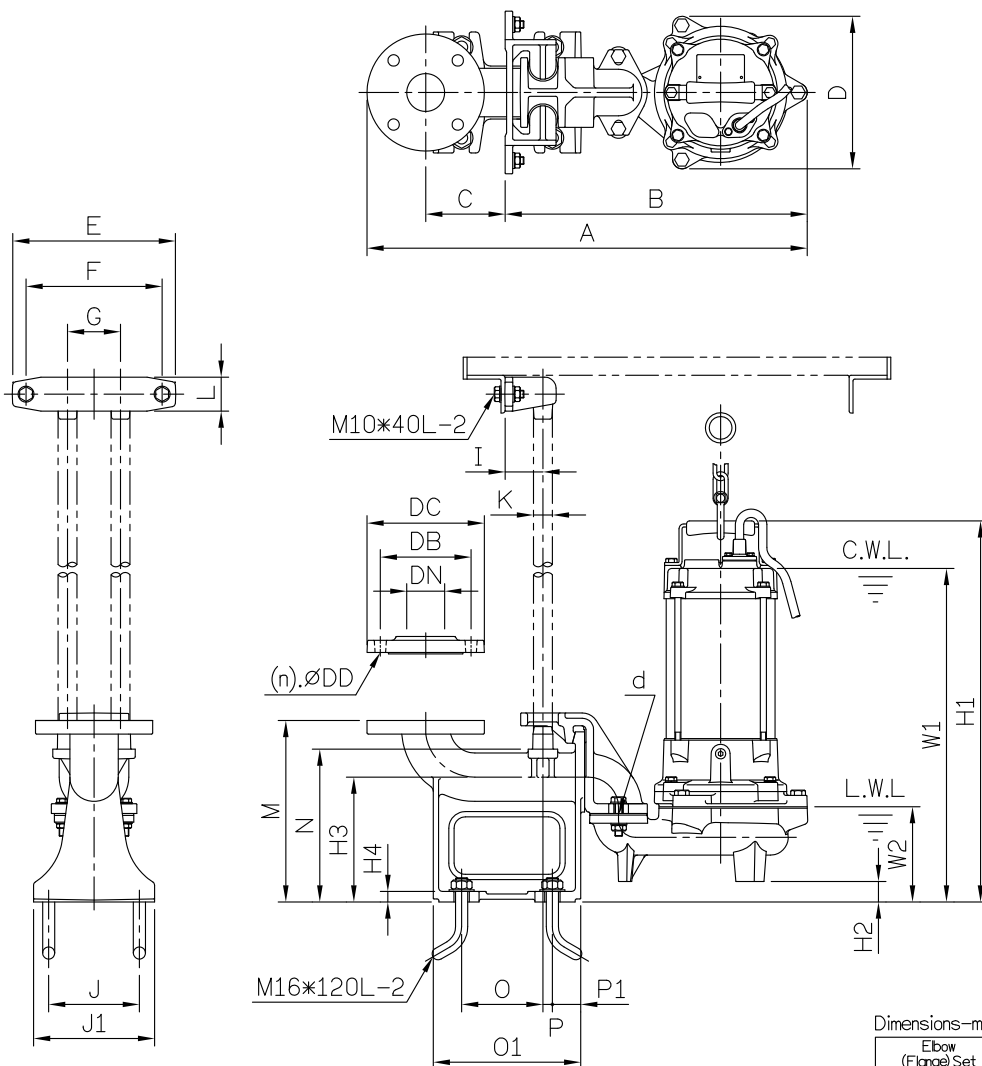
C.W.L.:Continuous Running Water Level WT1:Pump Weight(Without Cable)
 L.W.L.:Lowest Running Water Level WT2:Elbow Set Weight

DIMENSIONS

NO: S2FNU21503T-00

MODEL: FN-22U

1Ø & 3Ø



Flange	
Female Thread	
PT	NPT

Dimensions-mm

Elbow (Flange) Set	DN	DB	DC	DD	(n)QTY
F2-120	50	120	155	15	4

Dimensions-inch

Elbow (Flange) Set	DN	DB	DC	DD	(n)QTY
F2-120	2	4 3/4	6 1/8	5/8	4

Dimensions-mm

Model	d	A	B	C	D	E	F	G	I	J	J1	K	L	M	N	O	O1	P	P1	W1	W2	H1	H2	H3	H4	WT1	GRS Set	WT2
FN-22U 1Ø	50	583	400	105	202	215	180	70	50	120	160	1*	45	240	202	108	195	13	38	510	126	573	27	165	14	30	T50E	17
FN-22U 3Ø	50	583	400	105	202	215	180	70	50	120	160	1*	45	240	202	108	195	13	38	441	126	504	27	165	14	25	T50E	17

Weight:kg

Dimensions-inch

Model	d	A	B	C	D	E	F	G	I	J	J1	K	L	M	N	O	O1	P	P1	W1	W2	H1	H2	H3	H4	WT1	GRS Set	WT2
FN-22U 1Ø	2	22 7/16	15 3/4	4 1/8	7 7/16	8 3/16	7 1/16	2 3/4	1 15/16	4 3/4	6 5/16	1	1 3/4	9 7/16	7 7/16	4 1/4	7 11/16	1/2	1 1/2	20 1/16	4 7/16	22 3/16	1 1/16	6 1/2	9/16	66	T50E	38
FN-22U 3Ø	2	22 7/16	15 3/4	4 1/8	7 7/16	8 3/16	7 1/16	2 3/4	1 15/16	4 3/4	6 5/16	1	1 3/4	9 7/16	7 7/16	4 1/4	7 11/16	1/2	1 1/2	17 3/8	4 15/16	19 13/16	1 1/16	6 1/2	9/16	55	T50E	38

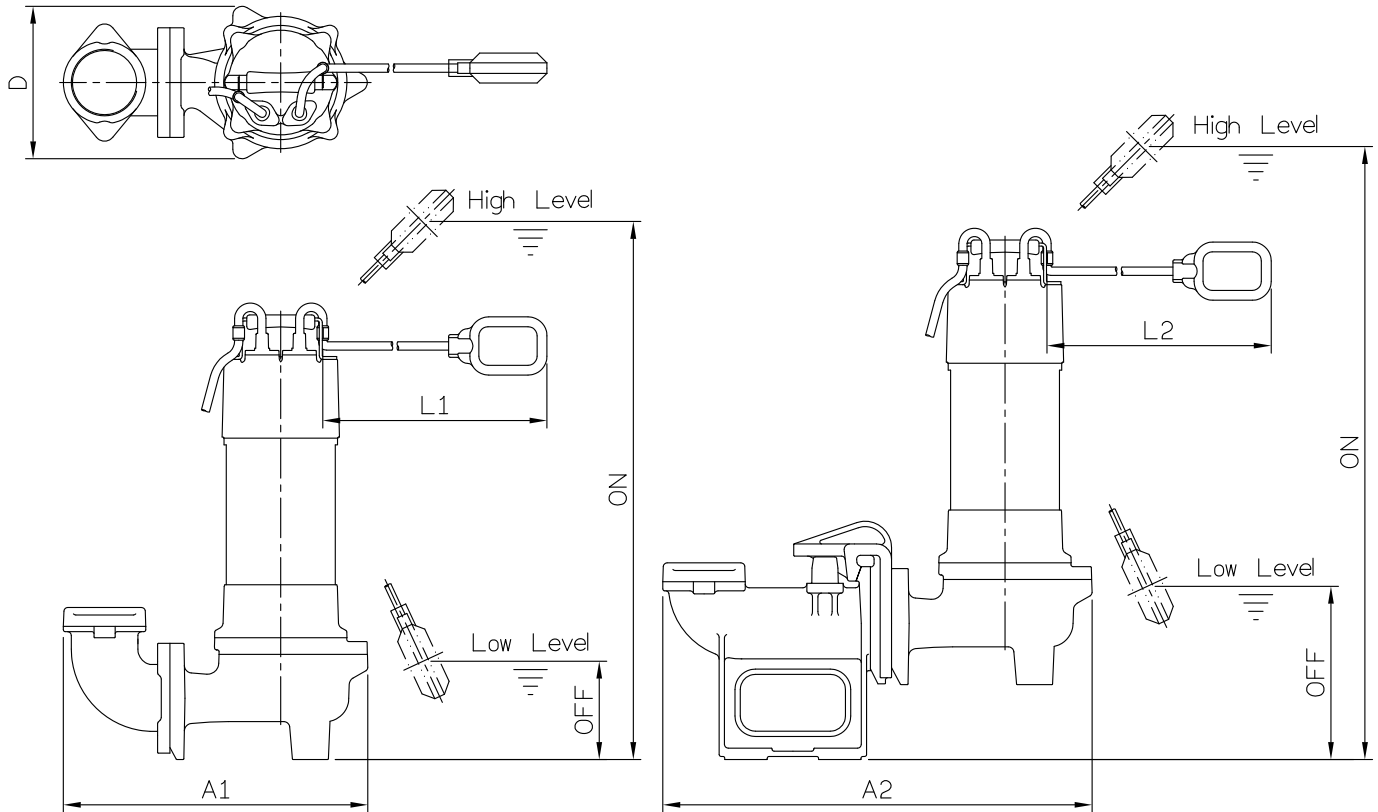
Weight:lb

C.W.L.:Continuous Running Water Level WT1:Pump Weight(Without Cable)
 L.W.L.:Lowest Running Water Level WT2:GRS Set Weight

DIMENSIONS

No: SOFN00000F-00

Float Switch Pumps Model



Model	Pump Only											With GRS										
	Dimensions-mm					Weight-kg		Dimensions-inch					Weight-lb		Dimensions-mm				Dimensions-inch			
	A1	D	L1	ON	OFF	WT1	WT2	A1	D	L1	ON	OFF	WT1	WT2	A2	L2	ON	OFF	A2	L2	ON	OFF
FN-22UF 1ø	288	202	455	624	174	30.5	0.5	11 ⁵ / ₁₆	7 ¹⁵ / ₁₆	17 ¹⁵ / ₁₆	24 ³ / ₁₆	6 ⁷ / ₈	67	1	583	455	651	201	22 ¹⁵ / ₁₆	17 ¹⁵ / ₁₆	25 ⁵ / ₈	7 ¹⁵ / ₁₆
FN-32UF 1ø	402	202	455	656	206	32.5	5	15 ³ / ₁₆	7 ¹⁵ / ₁₆	17 ¹⁵ / ₁₆	25 ⁵ / ₁₆	8 ¹ / ₂	72	11	568	455	755	305	22 ³ / ₈	17 ¹⁵ / ₁₆	29 ³ / ₄	12
FN-33UF 1ø	402	202	455	668	218	35.5	5	15 ³ / ₁₆	7 ¹⁵ / ₁₆	17 ¹⁵ / ₁₆	26 ⁵ / ₁₆	8 ⁹ / ₁₆	78	11	568	455	767	317	22 ³ / ₈	17 ¹⁵ / ₁₆	30 ³ / ₁₆	12 ¹ / ₂
FN-32PF 1ø	417	260	455	668	218	34.5	5	16 ⁷ / ₁₆	10 ¹ / ₄	17 ¹⁵ / ₁₆	26 ⁵ / ₁₆	8 ⁹ / ₁₆	76	11	583	455	726	276	22 ¹⁵ / ₁₆	17 ¹⁵ / ₁₆	28 ⁹ / ₁₆	10 ⁷ / ₈
FN-33PF 1ø	417	260	455	680	230	37.5	5	16 ⁷ / ₁₆	10 ¹ / ₄	17 ¹⁵ / ₁₆	26 ³ / ₄	9 ¹ / ₁₆	83	11	583	455	738	288	22 ⁵ / ₈	17 ¹⁵ / ₁₆	29 ¹ / ₁₆	11 ¹ / ₁₆
FN-22UF 3ø	288	202	510	564	194	27.5	0.5	11 ⁵ / ₁₆	7 ¹⁵ / ₁₆	20 ¹ / ₁₆	22 ³ / ₁₆	7 ⁵ / ₈	60.5	1	583	510	591	221	22 ⁵ / ₁₆	20 ¹ / ₁₆	23 ¹ / ₄	8 ¹¹ / ₁₆
FN-32UF 3ø	402	202	510	606	236	30.5	5	15 ¹ / ₁₆	7 ¹⁵ / ₁₆	20 ¹ / ₁₆	23 ³ / ₈	9 ⁵ / ₁₆	67	11	568	510	705	335	22 ³ / ₈	20 ¹ / ₁₆	27 ³ / ₄	13 ³ / ₁₆
FN-33UF 3ø	402	202	510	606	236	32.5	5	15 ¹ / ₁₆	7 ¹⁵ / ₁₆	20 ¹ / ₁₆	23 ³ / ₈	9 ⁵ / ₁₆	72	11	568	510	705	335	22 ³ / ₈	20 ¹ / ₁₆	27 ³ / ₄	13 ³ / ₁₆
FN-32PF 3ø	417	260	510	608	238	32.5	5	16 ⁷ / ₁₆	10 ¹ / ₄	20 ¹ / ₁₆	23 ⁵ / ₁₆	9 ³ / ₈	72	11	583	510	666	296	22 ⁵ / ₁₆	20 ¹ / ₁₆	26 ¹ / ₄	11 ⁵ / ₈
FN-33PF 3ø	417	260	510	608	238	34.5	5	16 ⁷ / ₁₆	10 ¹ / ₄	20 ¹ / ₁₆	23 ¹ / ₁₆	9 ³ / ₈	76	11	583	510	666	296	22 ⁵ / ₁₆	20 ¹ / ₁₆	26 ¹ / ₄	11 ⁵ / ₈

WT1:Pump Weight(including float switch)
WT2:Elbow Set Weight