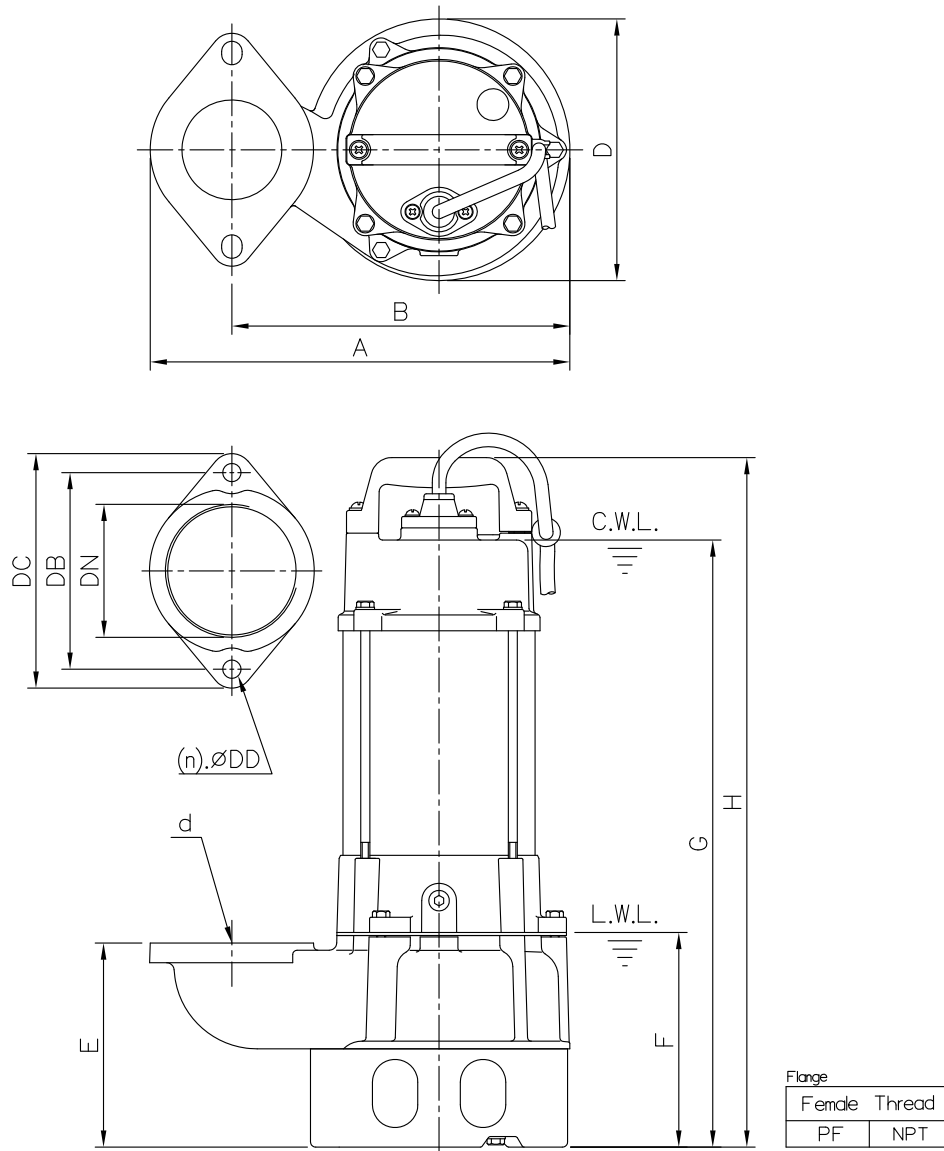


**DIMENSIONS**

**No:S3F0U208010-00**

**MODEL: F-31U**

**1Ø & 3Ø**



Dimensions-mm

Weight:Kg

Model	d	A	B	D	E	F	G	H	WT1	Elbow (Flange) Set	DN	DB	DC	DD	(n)QTY	WT2
F-31U 1Ø	80	278	224	173	135	130	402	456	18	EF3-130	80	130	155	12	2	1
F-31U 3Ø	80	278	224	173	135	130	402	456	17	EF3-130	80	130	155	12	2	1

Dimensions-inch

Weight:Lbs

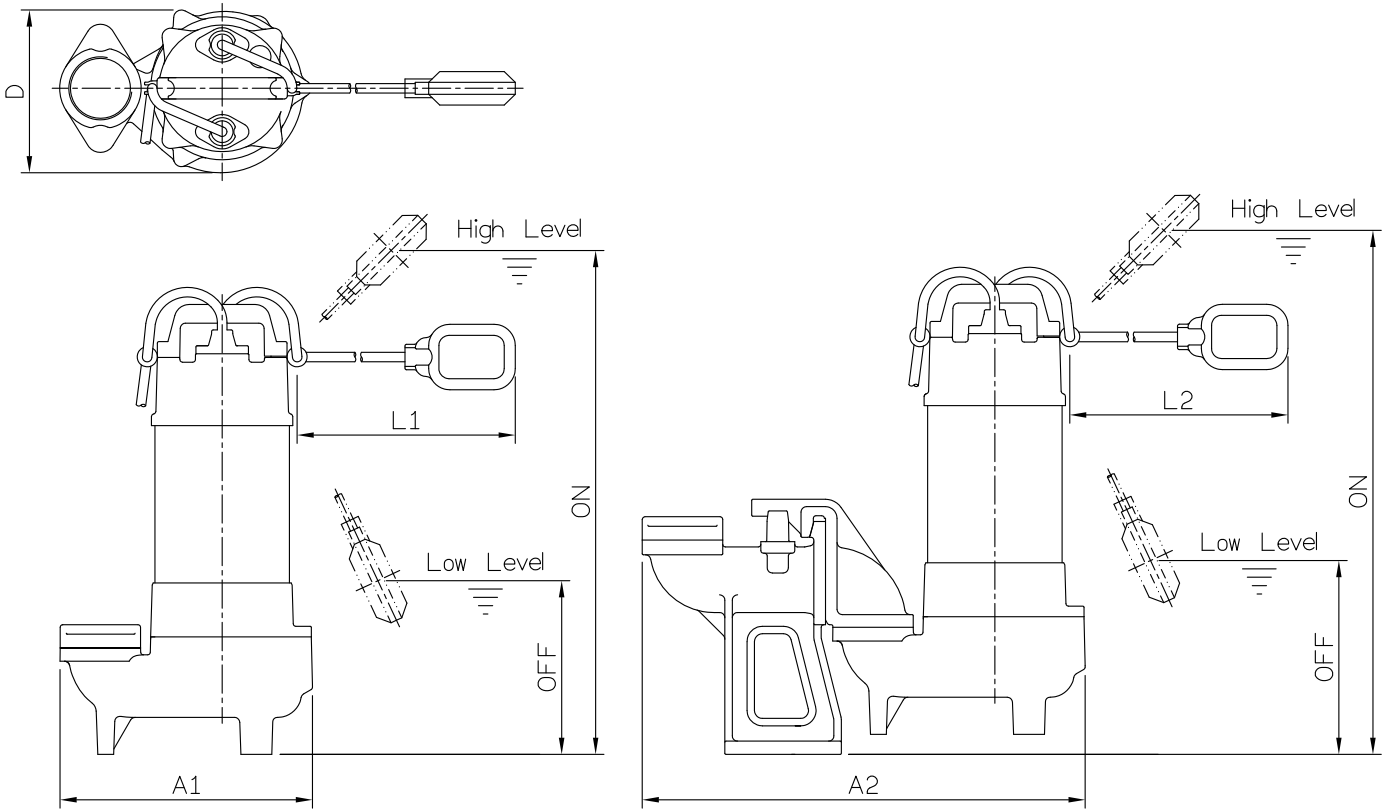
Model	d	A	B	D	E	F	G	H	WT1	Elbow (Flange) Set	DN	DB	DC	DD	(n)QTY	WT2
F-31U 1Ø	3	10 <sup>15</sup> / <sub>16</sub>	8 <sup>3</sup> / <sub>16</sub>	6 <sup>13</sup> / <sub>16</sub>	5 <sup>5</sup> / <sub>16</sub>	5 <sup>1</sup> / <sub>8</sub>	15 <sup>13</sup> / <sub>16</sub>	17 <sup>15</sup> / <sub>16</sub>	40	EF3-130	3	5 <sup>1</sup> / <sub>8</sub>	6 <sup>1</sup> / <sub>8</sub>	½	2	2
F-31U 3Ø	3	10 <sup>15</sup> / <sub>16</sub>	8 <sup>3</sup> / <sub>16</sub>	6 <sup>13</sup> / <sub>16</sub>	5 <sup>5</sup> / <sub>16</sub>	5 <sup>1</sup> / <sub>8</sub>	15 <sup>13</sup> / <sub>16</sub>	17 <sup>15</sup> / <sub>16</sub>	37	EF3-130	3	5 <sup>1</sup> / <sub>8</sub>	6 <sup>1</sup> / <sub>8</sub>	½	2	2

C.W.L.:Continuous Running Water Level WT1:Pump Weight(Without Cable)  
 L.W.L.:Lowest Running Water Level WT2:Elbow Set Weight

**DIMENSIONS**

**No: SOF000000F-00**

**Float Switch Pumps Model**



Model	Pump Only												With GRS									
	Dimensions-mm					Weight-kg		Dimensions-inch					Weight-lb		Dimensions-mm				Dimensions-inch			
	A1	D	L1	ON	OFF	WT1 50Hz/60Hz	WT2	A1	D	L1	ON	OFF	WT1 50Hz/60Hz	WT2	A2	L2	ON	OFF	A2	L2	ON	OFF
F-05AF 1Ø	225	161	300	510	88	12.5	0.5	8 7/8	6 5/8	11 13/16	20 1/2	3 3/8	27.5	1	408	300	543	121	16 1/8	11 3/8	21 3/8	4 3/4
F-05UF 1Ø	237	154	380	645	100	16.5	0.5	9 5/16	6 1/8	14 7/16	25 3/8	3 15/16	36	1	417	380	664	119	16 1/8	14 1/8	26 3/8	4 1/2
F-05PF 1Ø	276	235	380	690	144	16.5/NA	0.5	10 7/8	9 3/4	14 15/16	27 3/8	5 11/16	36/NA	1	424	380	736	190	16 1/8	14 1/8	29	7 1/2
F-21UF 1Ø	237	154	380	645	100	17.5	0.5	9 5/16	6 1/8	14 15/16	25 3/8	3 15/16	38.5	1	417	380	664	119	16 1/8	14 1/8	26 3/8	4 1/2
F-21PF 1Ø	276	235	380	690	144	18.5	0.5	10 7/8	9 3/4	14 15/16	27 3/8	5 11/16	41	1	424	380	736	190	16 1/8	14 1/8	29	7 1/2
F-31UF 1Ø	278	173	380	665	130	18.5	1	10 5/8	6 3/8	14 15/16	26 3/8	5 1/8	41	2	-	-	-	-	-	-	-	-
F-32TUF 1Ø	411	258	455	900	166	38.5	5	16 3/16	10 3/8	17 5/8	35 1/8	6 9/16	85	11	576	455	957	223	22 1/8	17 5/8	37 1/8	8 3/4
F-32TPF 1Ø	411	258	455	900	166	38.5	5	16 3/16	10 3/8	17 5/8	35 1/8	6 9/16	85	11	576	455	957	223	22 1/8	17 5/8	37 1/8	8 3/4
F-33UF 1Ø	411	258	455	900	166	40.5	5	16 3/16	10 3/8	17 5/8	35 1/8	6 9/16	89	11	576	455	957	223	22 1/8	17 5/8	37 1/8	8 3/4
F-33PF 1Ø	411	258	455	900	166	40.5	5	16 3/16	10 3/8	17 5/8	35 1/8	6 9/16	89	11	576	455	957	223	22 1/8	17 5/8	37 1/8	8 3/4
F-05UF 3Ø	237	154	380	645	100	16	0.5	9 5/16	6 1/8	14 15/16	25 3/8	3 15/16	35	1	417	380	664	119	16 1/8	14 1/8	26 3/8	4 1/2
F-05PF 3Ø	276	235	380	690	144	16/NA	0.5	10 7/8	9 3/4	14 15/16	27 3/8	5 11/16	35/NA	1	424	380	736	190	16 1/8	14 1/8	29	7 1/2
F-21UF 3Ø	237	154	380	645	100	17	0.5	9 5/16	6 1/8	14 15/16	25 3/8	3 15/16	37.5	1	417	380	664	119	16 1/8	14 1/8	26 3/8	4 1/2
F-21PF 3Ø	276	235	380	690	144	18	0.5	10 7/8	9 3/4	14 15/16	27 3/8	5 11/16	40	1	424	380	736	190	16 1/8	14 1/8	29	7 1/2
F-31UF 3Ø	278	173	380	665	130	18	1	10 5/8	6 3/8	14 15/16	26 3/8	5 1/8	40	2	-	-	-	-	-	-	-	-
F-32TUF 3Ø	411	258	510	875	166	35.5	5	16 3/16	10 3/8	20 1/8	34 1/8	6 9/16	78	11	576	510	932	223	22 1/8	20 1/8	36 1/8	8 3/4
F-32TPF 3Ø	411	258	510	875	166	36.5	5	16 3/16	10 3/8	20 1/8	34 1/8	6 9/16	80.5	11	576	510	932	223	22 1/8	20 1/8	36 1/8	8 3/4
F-33UF 3Ø	411	258	510	875	166	36.5	5	16 3/16	10 3/8	20 1/8	34 1/8	6 9/16	80.5	11	576	510	932	223	22 1/8	20 1/8	36 1/8	8 3/4
F-33PF 3Ø	411	258	510	875	166	36.5	5	16 3/16	10 3/8	20 1/8	34 1/8	6 9/16	80.5	11	576	510	932	223	22 1/8	20 1/8	36 1/8	8 3/4

WT1:Pump Weight(including float switch)  
WT2:Elbow Set Weight