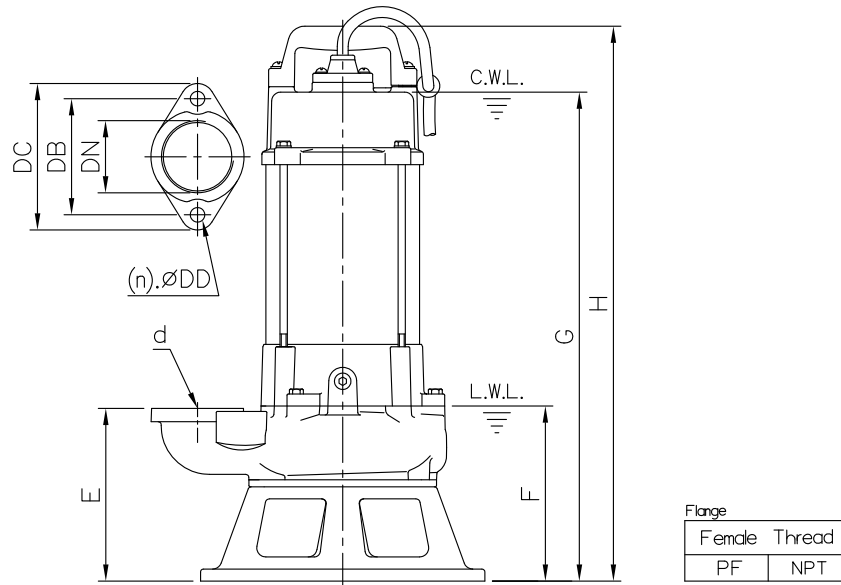
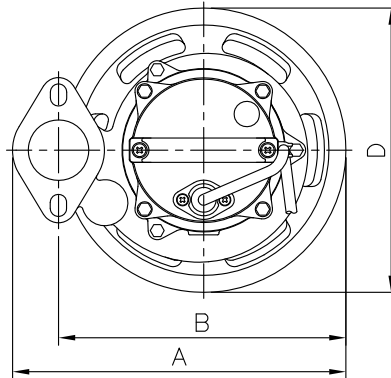


DIMENSIONS

No: S2F0P208030-00

MODEL: F-21P

1Ø & 3Ø



Dimensions—mm

Weight:kg

Model	d	A	B	D	E	F	G	H	WT1 50Hz/60Hz	Elbow (Flange) Set	DN	DB	DC	DD	(n)QTY	WT2
F-05P 1Ø	50	276	238	235	143	145	404	459	16/NA	EF2-96	50	96	121	12	2	1
F-05P 3Ø	50	276	238	235	143	145	404	459	15/NA	EF2-96	50	96	121	12	2	1
F-21P 1Ø	50	276	238	235	143	145	404	459	18	EF2-96	50	96	121	12	2	1
F-21P 3Ø	50	276	238	235	143	145	404	459	17	EF2-96	50	96	121	12	2	1

Dimensions—inch

Weight:lb

Model	d	A	B	D	E	F	G	H	WT1 50Hz/60Hz	Elbow (Flange) Set	DN	DB	DC	DD	(n)QTY	WT2
F-05P 1Ø	2	10 ⁷ / ₈	9 ³ / ₈	9 ¹ / ₄	5 ⁵ / ₈	5 ¹¹ / ₁₆	15 ⁷ / ₈	18 ¹ / ₁₆	35/NA	EF2-96	2	3 ³ / ₄	4 ³ / ₄	1/2	2	1
F-05P 3Ø	2	10 ⁷ / ₈	9 ³ / ₈	9 ¹ / ₄	5 ⁵ / ₈	5 ¹¹ / ₁₆	15 ⁷ / ₈	18 ¹ / ₁₆	33/NA	EF2-96	2	3 ³ / ₄	4 ³ / ₄	1/2	2	1
F-21P 1Ø	2	10 ⁷ / ₈	9 ³ / ₈	9 ¹ / ₄	5 ⁵ / ₈	5 ¹¹ / ₁₆	15 ⁷ / ₈	18 ¹ / ₁₆	40	EF2-96	2	3 ³ / ₄	4 ³ / ₄	1/2	2	1
F-21P 3Ø	2	10 ⁷ / ₈	9 ³ / ₈	9 ¹ / ₄	5 ⁵ / ₈	5 ¹¹ / ₁₆	15 ⁷ / ₈	18 ¹ / ₁₆	37	EF2-96	2	3 ³ / ₄	4 ³ / ₄	1/2	2	1

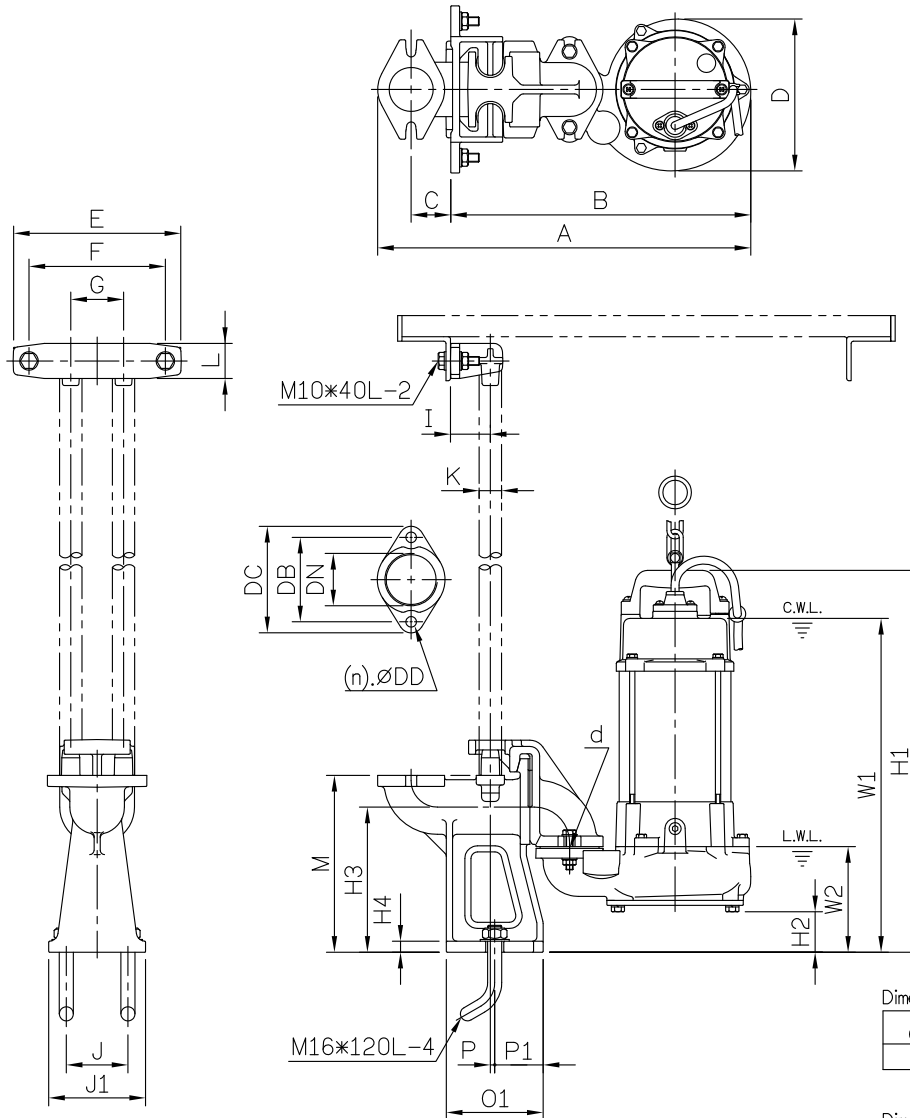
C.W.L.:Continuous Running Water Level WT1:Pump Weight(Without Cable)
L.W.L.:Lowest Running Water Level WT2:Elbow Set Weight

DIMENSIONS

NO: S2F0P20803T-00

MODEL: F-21P

1Ø & 3Ø



Flange	
Female	Thread
PF	NPT

Dimensions-mm

Elbow (Flange) Set	DN	DB	DC	DD	(n)QTY
F2-96	50	96	121	12	2

Dimensions-inch

Elbow (Flange) Set	DN	DB	DC	DD	(n)QTY
F2-96	2	3 3/4	4 3/4	1/2	2

Dimensions-mm

Model	d	A	B	C	D	E	F	G	I	J	J1	K	L	M	O1	P	P1	W1	W2	H1	H2	H3	H4	WT1 50Hz/60Hz	GRS Set	WT2
F-05P 1Ø	50	424	341	45	173	190	155	60	45	70	110	3/4"	40	201	110	5	55	380	120	434	46	165	13	13/NA	T2-50	9
F-05P 3Ø	50	424	341	45	173	190	155	60	45	70	110	3/4"	40	201	110	5	55	380	120	434	46	165	13	12/NA	T2-50	9
F-21P 1Ø	50	424	341	45	173	190	155	60	45	70	110	3/4"	40	201	110	5	55	380	120	434	46	165	13	15	T2-50	9
F-21P 3Ø	50	424	341	45	173	190	155	60	45	70	110	3/4"	40	201	110	5	55	380	120	434	46	165	13	14	T2-50	9

Weight:kg

Dimensions-inch

Model	d	A	B	C	D	E	F	G	I	J	J1	K	L	M	O1	P	P1	W1	W2	H1	H2	H3	H4	WT1 50Hz/60Hz	GRS Set	WT2
F-05P 1Ø	2	16 1/16	13 3/16	1 3/4	6 1/16	7 1/2	6 1/8	2 3/8	1 3/4	2 3/4	4 5/16	3/4	1 9/16	7 9/16	4 5/16	3/16	2 3/16	14 5/16	4 3/4	17 1/16	1 3/16	6 1/2	1/2	29/NA	T2-50	19
F-05P 3Ø	2	16 1/16	13 3/16	1 3/4	6 1/16	7 1/2	6 1/8	2 3/8	1 3/4	2 3/4	4 5/16	3/4	1 9/16	7 9/16	4 5/16	3/16	2 3/16	14 5/16	4 3/4	17 1/16	1 3/16	6 1/2	1/2	26/NA	T2-50	19
F-21P 1Ø	2	16 1/16	13 3/16	1 3/4	6 1/16	7 1/2	6 1/8	2 3/8	1 3/4	2 3/4	4 5/16	3/4	1 9/16	7 9/16	4 5/16	3/16	2 3/16	14 5/16	4 3/4	17 1/16	1 3/16	6 1/2	1/2	33	T2-50	19
F-21P 3Ø	2	16 1/16	13 3/16	1 3/4	6 1/16	7 1/2	6 1/8	2 3/8	1 3/4	2 3/4	4 5/16	3/4	1 9/16	7 9/16	4 5/16	3/16	2 3/16	14 5/16	4 3/4	17 1/16	1 3/16	6 1/2	1/2	31	T2-50	19

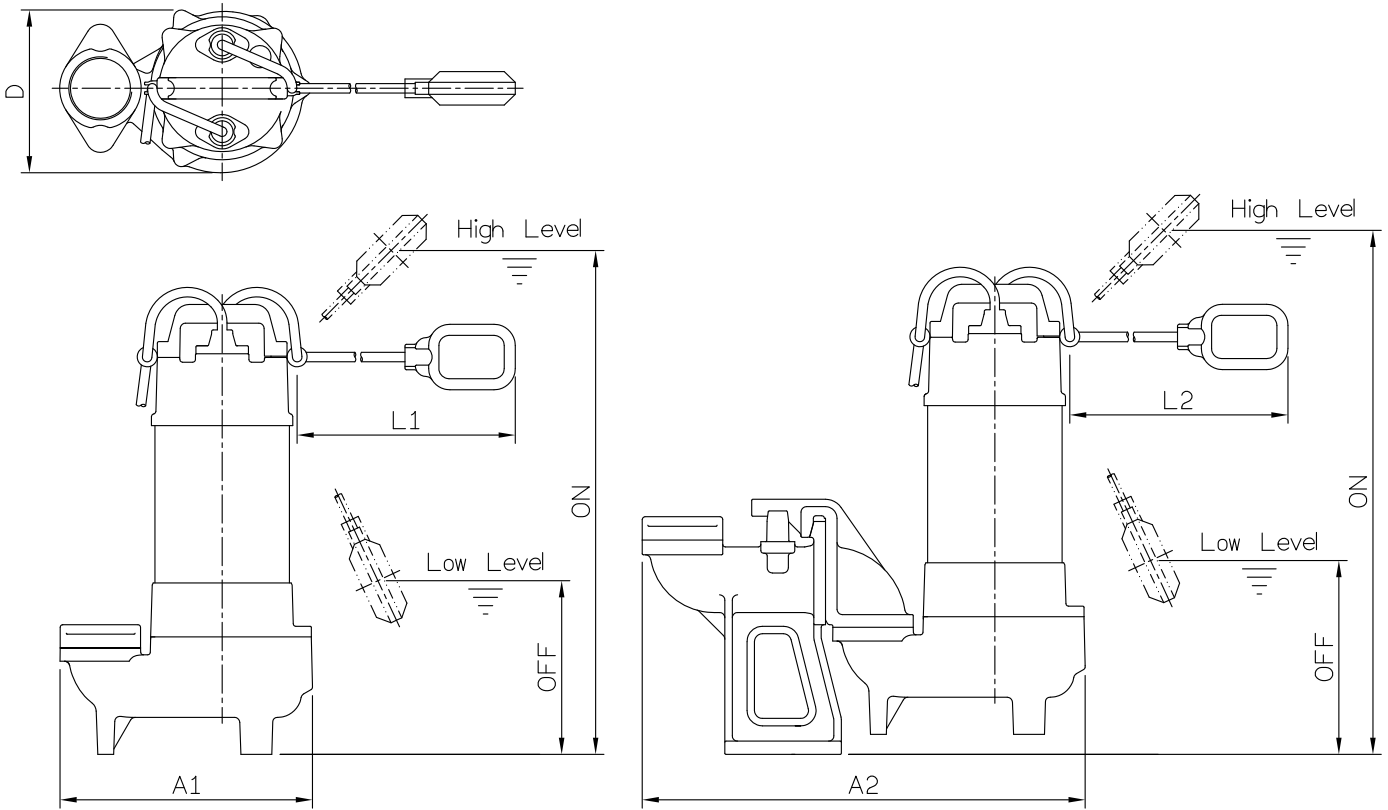
Weight:lb

Remark: Removing footing before installing connecting with Guide rail system.
 C.W.L.: Continuous Running Water Level WT1: Pump Weight (Without Cable)
 L.W.L.: Lowest Running Water Level WT2: GRS Set Weight

DIMENSIONS

No: SOF000000F-00

Float Switch Pumps Model



Model	Pump Only												With GRS									
	Dimensions-mm					Weight-kg		Dimensions-inch					Weight-lb		Dimensions-mm				Dimensions-inch			
	A1	D	L1	ON	OFF	WT1 50Hz/60Hz	WT2	A1	D	L1	ON	OFF	WT1 50Hz/60Hz	WT2	A2	L2	ON	OFF	A2	L2	ON	OFF
F-05AF 1Ø	225	161	300	510	88	12.5	0.5	8 7/8	6 5/8	11 13/16	20 1/2	3 1/8	27.5	1	408	300	543	121	16 1/8	11 3/8	21 3/8	4 3/4
F-05UF 1Ø	237	154	380	645	100	16.5	0.5	9 5/16	6 1/8	14 7/16	25 3/8	3 15/16	36	1	417	380	664	119	16 1/8	14 1/8	26 3/8	4 1/2
F-05PF 1Ø	276	235	380	690	144	16.5/NA	0.5	10 7/8	9 3/4	14 15/16	27 3/8	5 11/16	36/NA	1	424	380	736	190	16 1/8	14 1/8	29	7 1/2
F-21UF 1Ø	237	154	380	645	100	17.5	0.5	9 5/16	6 1/8	14 15/16	25 3/8	3 15/16	38.5	1	417	380	664	119	16 1/8	14 1/8	26 3/8	4 1/2
F-21PF 1Ø	276	235	380	690	144	18.5	0.5	10 7/8	9 3/4	14 15/16	27 3/8	5 11/16	41	1	424	380	736	190	16 1/8	14 1/8	29	7 1/2
F-31UF 1Ø	278	173	380	665	130	18.5	1	10 5/8	6 3/8	14 15/16	26 3/8	5 1/8	41	2	-	-	-	-	-	-	-	-
F-32TUF 1Ø	411	258	455	900	166	38.5	5	16 3/16	10 3/8	17 5/8	35 1/8	6 9/16	85	11	576	455	957	223	22 1/8	17 5/8	37 1/8	8 3/4
F-32TPF 1Ø	411	258	455	900	166	38.5	5	16 3/16	10 3/8	17 5/8	35 1/8	6 9/16	85	11	576	455	957	223	22 1/8	17 5/8	37 1/8	8 3/4
F-33UF 1Ø	411	258	455	900	166	40.5	5	16 3/16	10 3/8	17 5/8	35 1/8	6 9/16	89	11	576	455	957	223	22 1/8	17 5/8	37 1/8	8 3/4
F-33PF 1Ø	411	258	455	900	166	40.5	5	16 3/16	10 3/8	17 5/8	35 1/8	6 9/16	89	11	576	455	957	223	22 1/8	17 5/8	37 1/8	8 3/4
F-05UF 3Ø	237	154	380	645	100	16	0.5	9 5/16	6 1/8	14 15/16	25 3/8	3 15/16	35	1	417	380	664	119	16 1/8	14 1/8	26 3/8	4 1/2
F-05PF 3Ø	276	235	380	690	144	16/NA	0.5	10 7/8	9 3/4	14 15/16	27 3/8	5 11/16	35/NA	1	424	380	736	190	16 1/8	14 1/8	29	7 1/2
F-21UF 3Ø	237	154	380	645	100	17	0.5	9 5/16	6 1/8	14 15/16	25 3/8	3 15/16	37.5	1	417	380	664	119	16 1/8	14 1/8	26 3/8	4 1/2
F-21PF 3Ø	276	235	380	690	144	18	0.5	10 7/8	9 3/4	14 15/16	27 3/8	5 11/16	40	1	424	380	736	190	16 1/8	14 1/8	29	7 1/2
F-31UF 3Ø	278	173	380	665	130	18	1	10 5/8	6 3/8	14 15/16	26 3/8	5 1/8	40	2	-	-	-	-	-	-	-	-
F-32TUF 3Ø	411	258	510	875	166	35.5	5	16 3/16	10 3/8	20 1/8	34 1/8	6 9/16	78	11	576	510	932	223	22 1/8	20 1/8	36 1/8	8 3/4
F-32TPF 3Ø	411	258	510	875	166	36.5	5	16 3/16	10 3/8	20 1/8	34 1/8	6 9/16	80.5	11	576	510	932	223	22 1/8	20 1/8	36 1/8	8 3/4
F-33UF 3Ø	411	258	510	875	166	36.5	5	16 3/16	10 3/8	20 1/8	34 1/8	6 9/16	80.5	11	576	510	932	223	22 1/8	20 1/8	36 1/8	8 3/4
F-33PF 3Ø	411	258	510	875	166	36.5	5	16 3/16	10 3/8	20 1/8	34 1/8	6 9/16	80.5	11	576	510	932	223	22 1/8	20 1/8	36 1/8	8 3/4

WT1:Pump Weight(including float switch)
WT2:Elbow Set Weight