

Dimensions-mm

Weight:kg

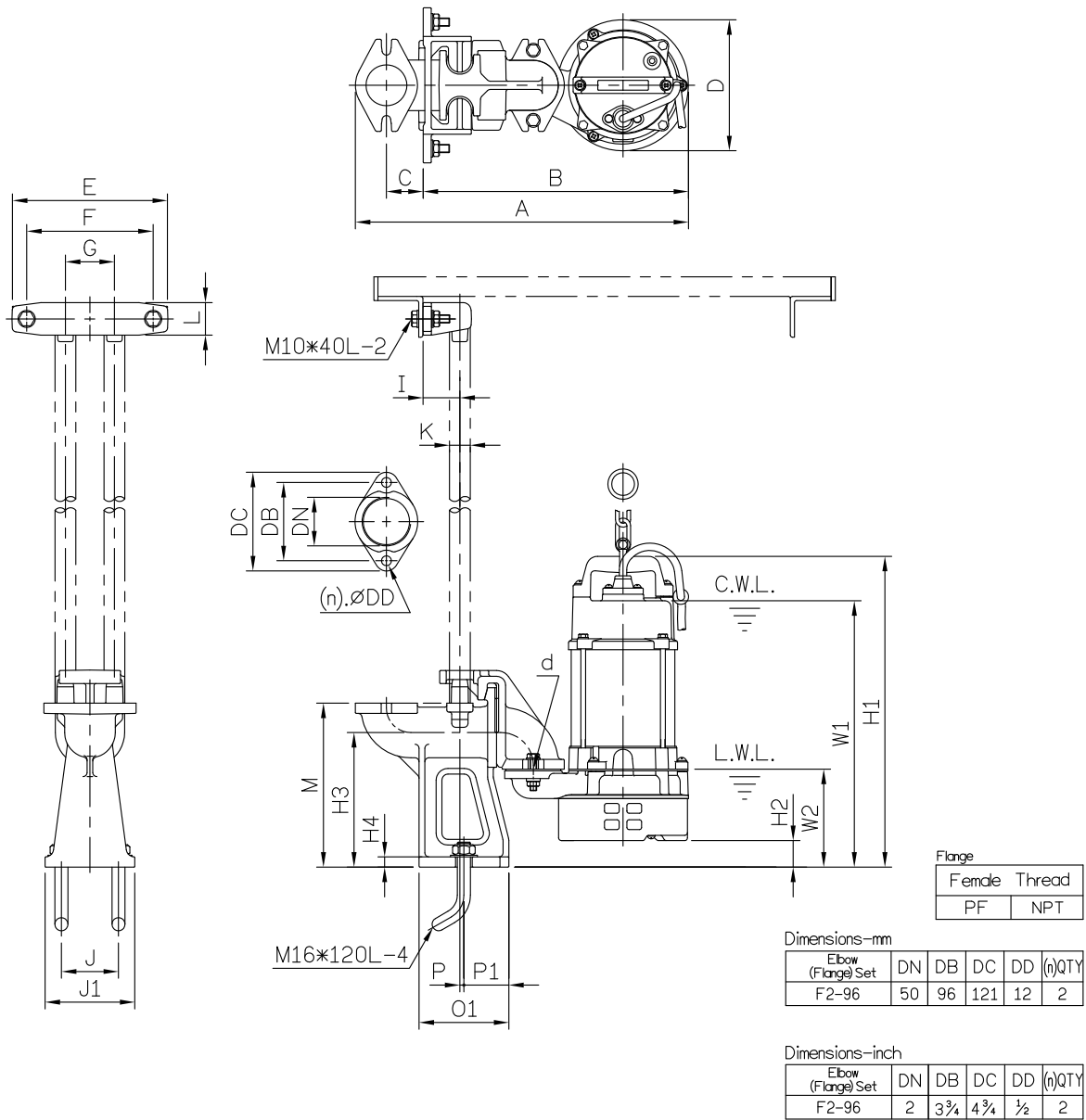
Model	d	A	B	D	E	F	G	H	WT1	Elbow (Flange) Set	DN	DB	DC	DD	(n)QTY	WT2
F-05A 1Ø	50	225	190	161	86	88	294	349	12	EF2-84	50	84	106	10	2	1

Dimensions-inch

Weight:lb

Model	d	A	B	D	E	F	G	H	WT1	Elbow (Flange) Set	DN	DB	DC	DD	(n)QTY	WT2
F-05A 1Ø	2	8 7/8	7 1/2	6 3/16	3 3/8	3 5/16	11 1/16	13 3/4	26	EF2-84	2	3 1/16	4 3/16	3/8	2	1

C.W.L.:Continuous Running Water Level WT1:Pump Weight(Without Cable)
 L.W.L.:Lowest Running Water Level WT2:Elbow Set Weight



Dimensions-mm

Weight:kg

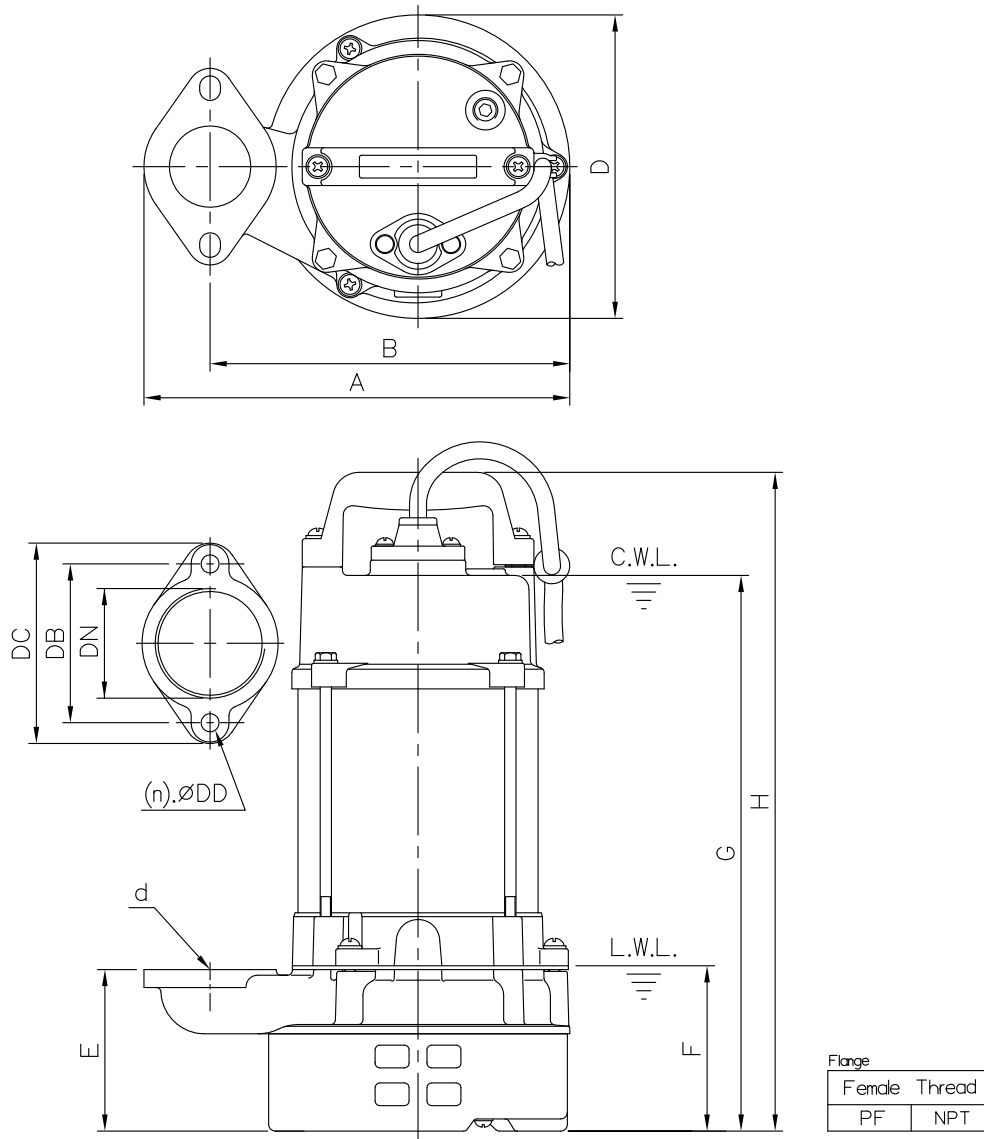
Model	d	A	B	C	D	E	F	G	I	J	J1	K	L	M	O1	P	P1	W1	W2	H1	H2	H3	H4	WT1	GRS Set	WT2
F-05A 1Ø	50	408	325	45	161	190	155	60	45	70	110	3/4"	40	201	110	5	55	327	120	381	33	165	13	12	T2-50	9

Dimensions-inch

Weight:lb

Model	d	A	B	C	D	E	F	G	I	J	J1	K	L	M	O1	P	P1	W1	W2	H1	H2	H3	H4	WT1	GRS Set	WT2
F-05A 1Ø	2	16 1/8	12 1/8	1 3/4	6 3/16	7 1/2	6 1/8	2 3/8	1 3/4	2 3/4	4 3/16	3/4	1 5/8	7 9/16	4 3/16	3/16	2 3/16	12 1/8	4 3/4	15	1 3/16	6 1/2	1/2	26	T2-50	19

C.W.L.:Continuous Running Water Level WT1:Pump Weight(Without Cable)
 L.W.L.:Lowest Running Water Level WT2:GRS Set Weight



Dimensions--mm

Weight:kg

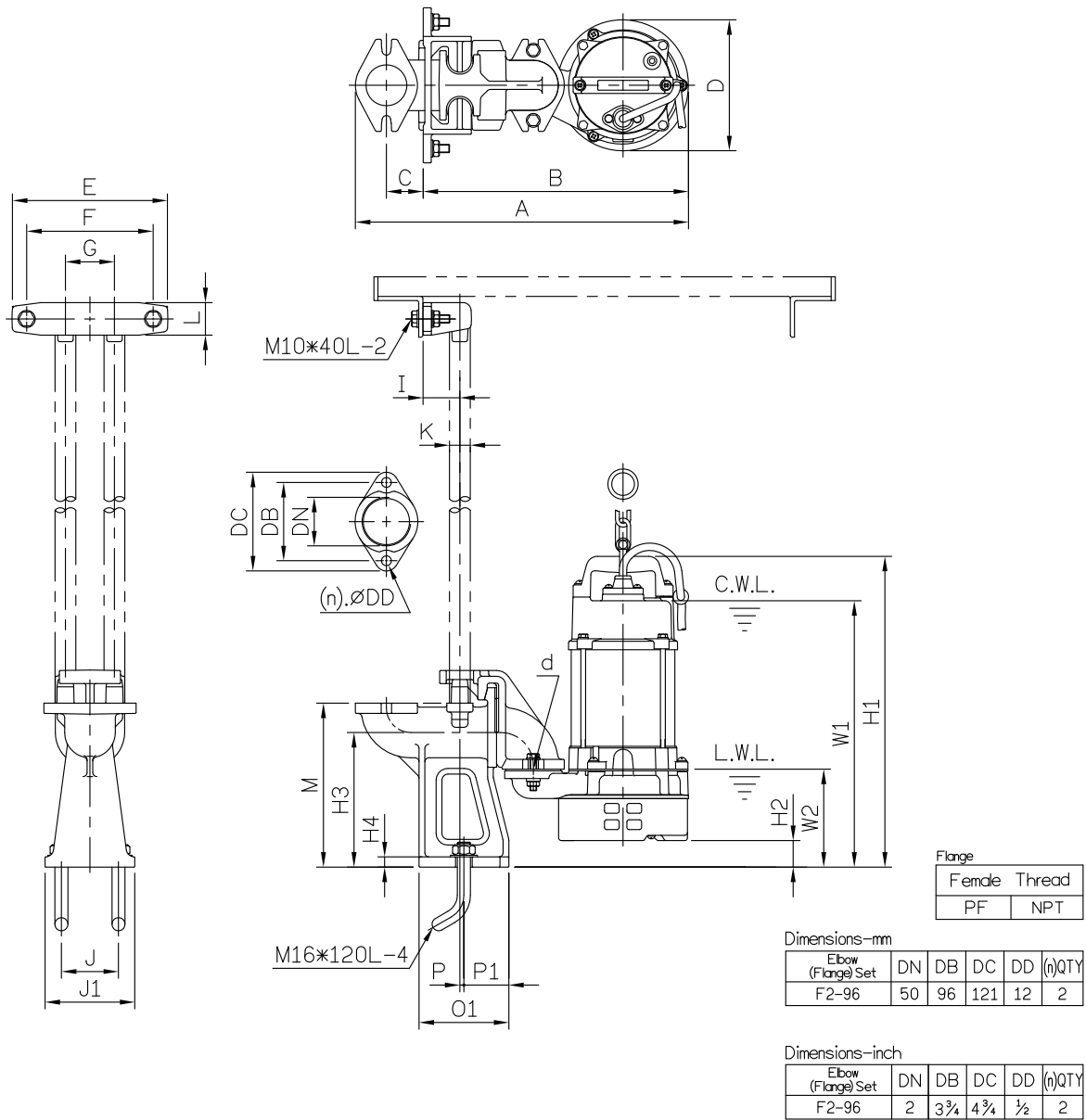
Model	d	A	B	D	E	F	G	H	WT1	Elbow (Flange) Set	DN	DB	DC	DD	(n)QTY	WT2
F-05A 3Ø	50	225	190	161	86	88	294	349	11	EF2-84	50	84	106	10	2	1

Dimensions--inch

Weight:lb

Model	d	A	B	D	E	F	G	H	WT1	Elbow (Flange) Set	DN	DB	DC	DD	(n)QTY	WT2
F-05A 3Ø	2	8 ⁷ / ₈	7 ¹ / ₂	6 ³ / ₁₆	3 ³ / ₈	3 ⁷ / ₁₆	11 ¹ / ₁₆	13 ³ / ₄	24	EF2-84	2	3 ¹ / ₁₆	4 ³ / ₁₆	³ / ₈	2	1

C.W.L.:Continuous Running Water Level WT1:Pump Weight(Without Cable)
 L.W.L.:Lowest Running Water Level WT2:Elbow Set Weight



Dimensions-mm

Weight:kg

Model	d	A	B	C	D	E	F	G	I	J	J1	K	L	M	O1	P	P1	W1	W2	H1	H2	H3	H4	WT1	GRS Set	WT2
F-05A 3Ø	50	408	325	45	161	190	155	60	45	70	110	3/4"	40	201	110	5	55	327	120	381	33	165	13	11	T2-50	9

Dimensions-inch

Weight:lb

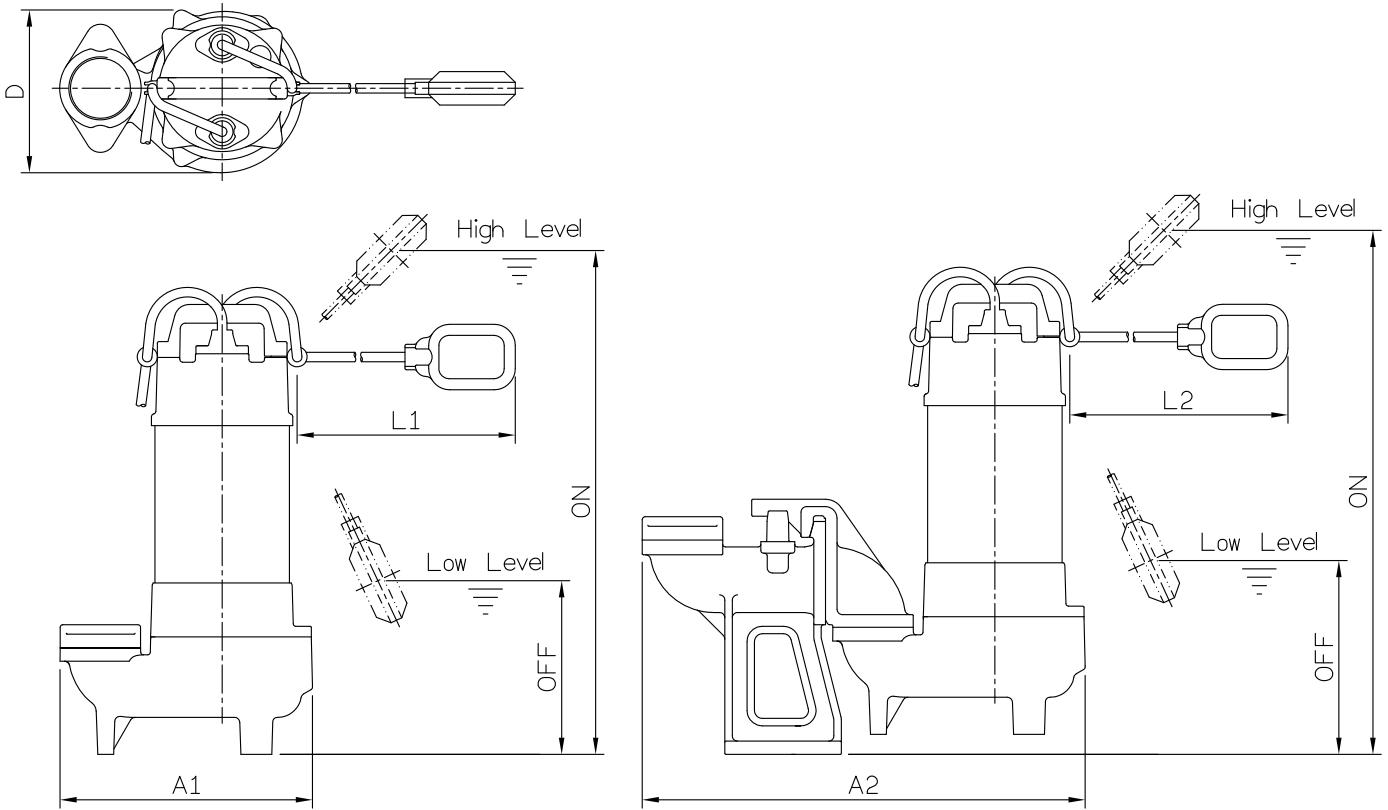
Model	d	A	B	C	D	E	F	G	I	J	J1	K	L	M	O1	P	P1	W1	W2	H1	H2	H3	H4	WT1	GRS Set	WT2
F-05A 3Ø	2	16 1/8	12 1/8	1 3/4	6 3/16	7 1/2	6 1/8	2 3/8	1 3/4	2 3/4	4 3/16	3/4	1 5/8	7 9/16	4 3/16	3/16	2 3/16	12 1/8	4 3/4	15	1 3/16	6 1/2	1/2	24	T2-50	19

C.W.L.:Continuous Running Water Level WT1:Pump Weight(Without Cable)
L.W.L.:Lowest Running Water Level WT2:GRS Set Weight

DIMENSIONS

No: SOF000000F-00

Float Switch Pumps Model



Model	Pump Only												With GRS									
	Dimensions-mm					Weight-kg		Dimensions-inch					Weight-lb		Dimensions-mm				Dimensions-inch			
	A1	D	L1	ON	OFF	WT1 50Hz/60Hz	WT2	A1	D	L1	ON	OFF	WT1 50Hz/60Hz	WT2	A2	L2	ON	OFF	A2	L2	ON	OFF
F-05AF 1Ø	225	161	300	510	88	12.5	0.5	8 7/8	6 5/16	11 13/16	20 1/2	3 3/16	27.5	1	408	300	543	121	16 1/16	11 3/16	21 3/8	4 3/4
F-05UF 1Ø	237	154	380	645	100	16.5	0.5	9 5/16	6 1/8	14 7/16	25 3/8	3 15/16	36	1	417	380	664	119	16 1/16	14 1/16	26 3/8	4 1/2
F-05PF 1Ø	276	235	380	690	144	16.5/NA	0.5	10 7/8	9 3/4	14 15/16	27 3/16	5 11/16	36/NA	1	424	380	736	190	16 11/16	14 5/16	29	7 1/2
F-21UF 1Ø	237	154	380	645	100	17.5	0.5	9 9/16	6 1/8	14 15/16	25 3/8	3 15/16	38.5	1	417	380	664	119	16 1/16	14 1/16	26 3/8	4 1/2
F-21PF 1Ø	276	235	380	690	144	18.5	0.5	10 7/8	9 3/4	14 15/16	27 3/16	5 11/16	41	1	424	380	736	190	16 11/16	14 1/16	29	7 1/2
F-31UF 1Ø	278	173	380	665	130	18.5	1	10 5/16	6 13/16	14 15/16	26 3/16	5 1/8	41	2	-	-	-	-	-	-	-	-
F-32TUF 1Ø	411	258	455	900	166	38.5	5	16 3/16	10 3/16	17 5/16	35 1/16	6 9/16	85	11	576	455	957	223	22 1/16	17 5/16	37 1/16	8 3/4
F-32TPF 1Ø	411	258	455	900	166	38.5	5	16 3/16	10 3/16	17 5/16	35 1/16	6 9/16	85	11	576	455	957	223	22 1/16	17 5/16	37 1/16	8 3/4
F-33UF 1Ø	411	258	455	900	166	40.5	5	16 3/16	10 3/16	17 5/16	35 1/16	6 9/16	89	11	576	455	957	223	22 1/16	17 5/16	37 1/16	8 3/4
F-33PF 1Ø	411	258	455	900	166	40.5	5	16 3/16	10 3/16	17 5/16	35 1/16	6 9/16	89	11	576	455	957	223	22 1/16	17 5/16	37 1/16	8 3/4
F-05UF 3Ø	237	154	380	645	100	16	0.5	9 9/16	6 1/8	14 15/16	25 3/8	3 15/16	35	1	417	380	664	119	16 1/16	14 1/16	26 3/8	4 1/2
F-05PF 3Ø	276	235	380	690	144	16/NA	0.5	10 7/8	9 3/4	14 15/16	27 3/16	5 11/16	35/NA	1	424	380	736	190	16 11/16	14 1/16	29	7 1/2
F-21UF 3Ø	237	154	380	645	100	17	0.5	9 9/16	6 1/8	14 15/16	25 3/8	3 15/16	37.5	1	417	380	664	119	16 1/16	14 1/16	26 3/8	4 1/2
F-21PF 3Ø	276	235	380	690	144	18	0.5	10 7/8	9 3/4	14 15/16	27 3/16	5 11/16	40	1	424	380	736	190	16 11/16	14 1/16	29	7 1/2
F-31UF 3Ø	278	173	380	665	130	18	1	10 5/16	6 13/16	14 15/16	26 3/16	5 1/8	40	2	-	-	-	-	-	-	-	-
F-32TUF 3Ø	411	258	510	875	166	35.5	5	16 3/16	10 3/16	20 1/16	34 1/16	6 9/16	78	11	576	510	932	223	22 1/16	20 1/16	36 1/16	8 3/4
F-32TPF 3Ø	411	258	510	875	166	36.5	5	16 3/16	10 3/16	20 1/16	34 1/16	6 9/16	80.5	11	576	510	932	223	22 1/16	20 1/16	36 1/16	8 3/4
F-33UF 3Ø	411	258	510	875	166	36.5	5	16 3/16	10 3/16	20 1/16	34 1/16	6 9/16	80.5	11	576	510	932	223	22 1/16	20 1/16	36 1/16	8 3/4
F-33PF 3Ø	411	258	510	875	166	36.5	5	16 3/16	10 3/16	20 1/16	34 1/16	6 9/16	80.5	11	576	510	932	223	22 1/16	20 1/16	36 1/16	8 3/4

WT1:Pump Weight(including float switch)
WT2:Elbow Set Weight