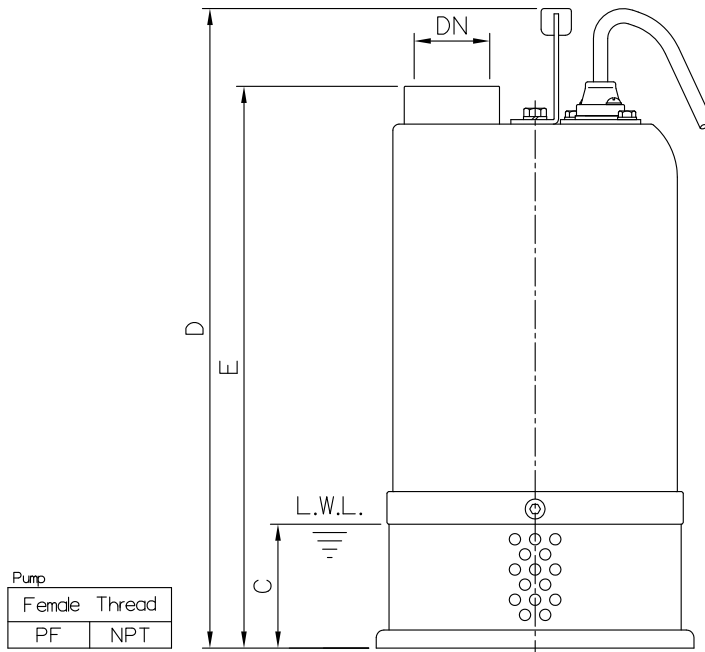
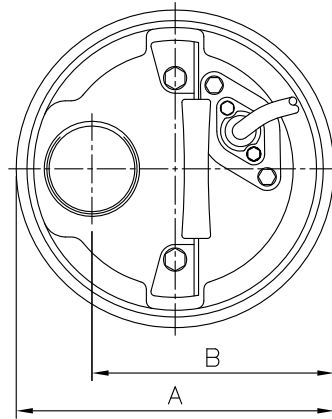


DIMENSIONS

No: S2AS0211030-00

MODEL: AS-215

1Ø & 3Ø



Dimensions—mm Weight:kg

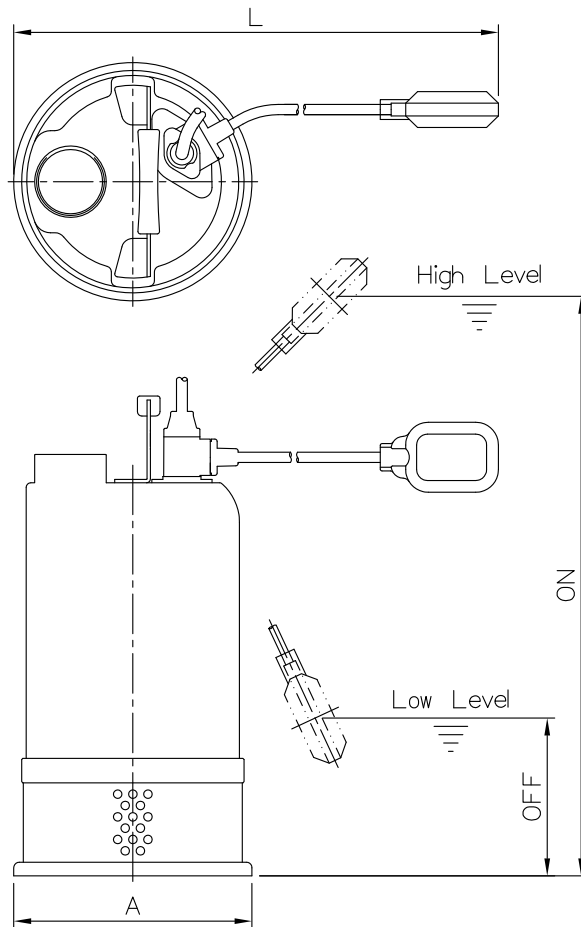
Model	DN	A	B	C	D	E	WT1
AS-215 1Ø	50	210	160	85	482	431	28
AS-215 3Ø	50	210	160	85	423	372	24

Dimensions—inch Weight:lb

Model	DN	A	B	C	D	E	WT1
AS-215 1Ø	2	8 3/4	6 5/16	3 3/8	19	16 15/16	62
AS-215 3Ø	2	8 3/4	6 5/16	3 3/8	16 3/8	14 5/8	53

L.W.L.:Lowest Running Water Level WT1:Pump Weight(Without Cable)
WT2:Elbow Set Weight

Float Switch Pumps Model



Model	Pump Only									
	Dimensions-mm				Weight-kg	Dimensions-inch				Weight-lb
	A	L	ON	OFF	WT1 50Hz/60Hz	A	L	ON	OFF	WT1 50Hz/60Hz
AS-215F 1Ø	210	505	708	162	28.5	8¼	19¾	27⅞	6⅜	63
50ASH21.5F 1Ø	235	625	593	143	40.5	9¼	24⅝	23⅜	5⅝	89
50ASH22.2F 1Ø	235	625	624	174	44.5	9¼	24⅝	24⅜	6⅞	98
80ASN21.5F 1Ø	235	625	593	143	40.5	9¼	24⅝	23⅜	5⅝	89
80ASN22.2F 1Ø	235	625	624	174	45.5/44.5	9¼	24⅝	24⅜	6⅞	100/98

WT1:Pump Weight(including float switch)