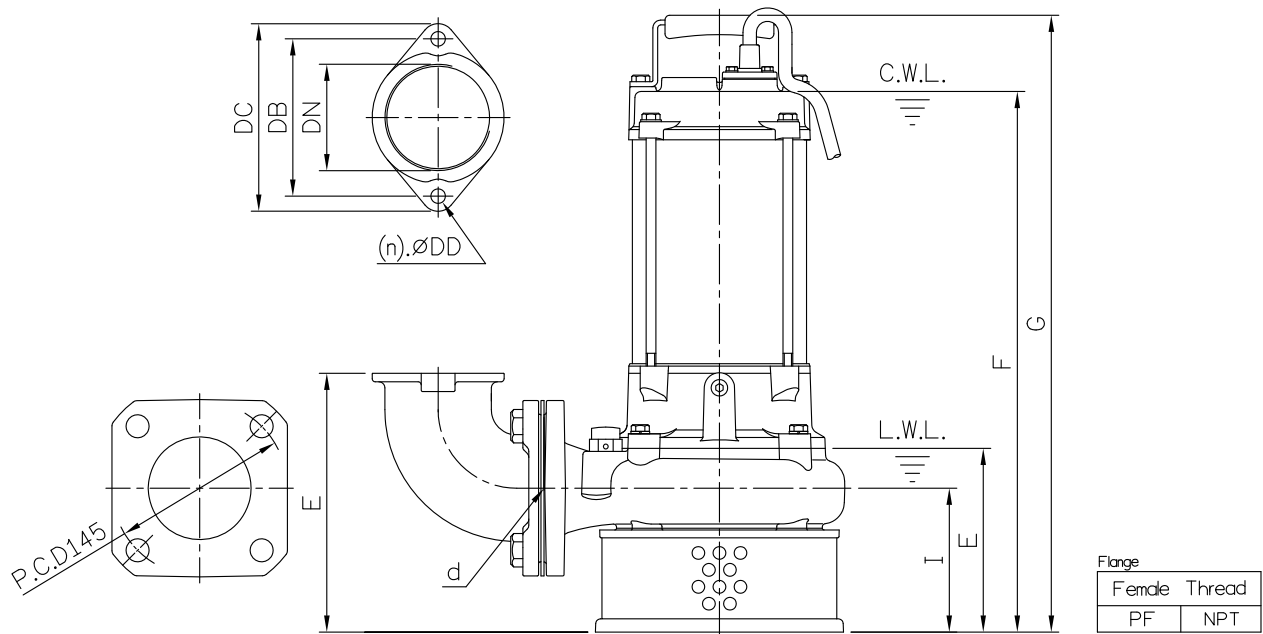
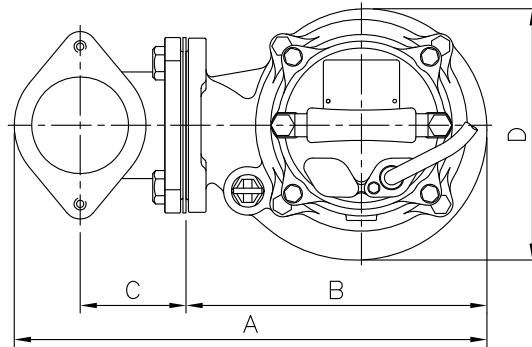


DIMENSIONS

No: S3AN0222030-00

MODEL: AN-32 & AN-33

1Ø & 3Ø



Dimensions-mm

Weight:kg

Model	d	A	B	C	D	E	F	G	H	I	WT1	Elbow (Flange) Set	DN	DB	DC	DD	(n)QTY	WT2
AN-32 1Ø	80	391	249	88	208	214	152	528	591	119	33	EB3-130	80	130	155	12	2	5
AN-33 1Ø	80	391	249	88	208	214	152	540	603	119	37	EB3-130	80	130	155	12	2	5
AN-32 3Ø	80	391	249	88	208	214	152	447	510	119	29	EB3-130	80	130	155	12	2	5
AN-33 3Ø	80	391	249	88	208	214	152	447	510	119	32	EB3-130	80	130	155	12	2	5

Dimensions-inch

Weight:lb

Model	d	A	B	C	D	E	F	G	H	I	WT1	Elbow (Flange) Set	DN	DB	DC	DD	(n)QTY	WT2
AN-32 1Ø	3	15 ³ / ₈	9 ¹³ / ₁₆	3 ⁷ / ₁₆	8 ³ / ₁₆	8 ⁷ / ₁₆	6	20 ³ / ₁₆	23 ³ / ₄	4 ¹ / ₁₆	73	EB3-130	3	5 ¹ / ₈	6 ¹ / ₈	1/2	2	11
AN-33 1Ø	3	15 ³ / ₈	9 ¹³ / ₁₆	3 ⁷ / ₁₆	8 ³ / ₁₆	8 ⁷ / ₁₆	6	21 ¹ / ₄	23 ³ / ₄	4 ¹ / ₁₆	82	EB3-130	3	5 ¹ / ₈	6 ¹ / ₈	1/2	2	11
AN-32 3Ø	3	15 ³ / ₈	9 ¹³ / ₁₆	3 ⁷ / ₁₆	8 ³ / ₁₆	8 ⁷ / ₁₆	6	17 ⁷ / ₈	20 ¹ / ₁₆	4 ¹ / ₁₆	64	EB3-130	3	5 ¹ / ₈	6 ¹ / ₈	1/2	2	11
AN-33 3Ø	3	15 ³ / ₈	9 ¹³ / ₁₆	3 ⁷ / ₁₆	8 ³ / ₁₆	8 ⁷ / ₁₆	6	17 ⁷ / ₈	20 ¹ / ₁₆	4 ¹ / ₁₆	71	EB3-130	3	5 ¹ / ₈	6 ¹ / ₈	1/2	2	11

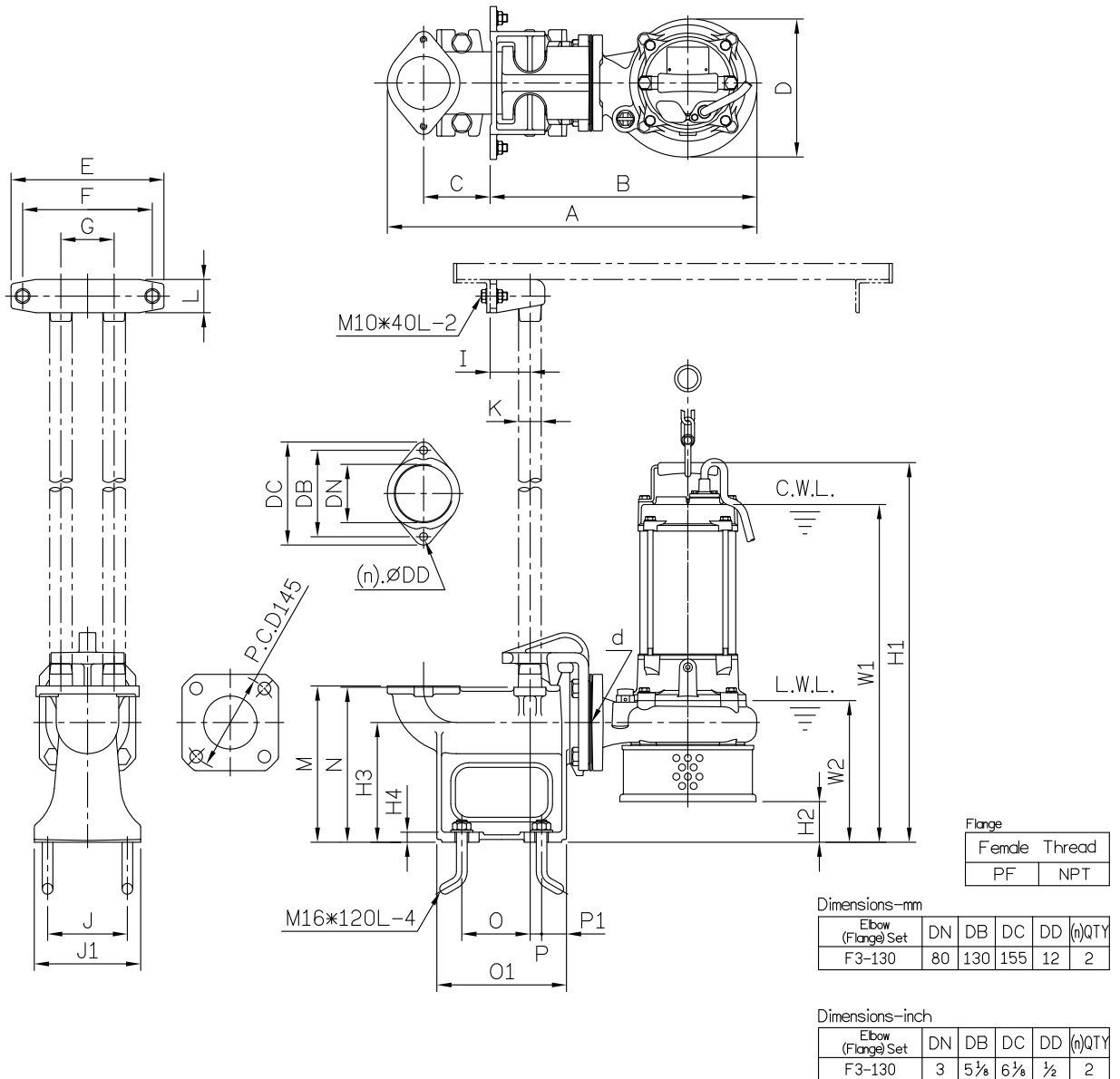
C.W.L.:Continuous Running Water Level WT1:Pump Weight(Without Cable)
 L.W.L.:Lowest Running Water Level WT2:Elbow Set Weight

DIMENSIONS

No: S3AN022203T-00

MODEL: AN-32 & AN-33

1 Ø & 3 Ø



Dimensions-mm

Weight:kg

Model	d	A	B	C	D	E	F	G	I	J	J1	K	L	M	N	O	O1	P	P1	W1	W2	H1	H2	H3	H4	WT1	GRS Set	WT2
AN-32 1Ø	80	557	402	100	208	230	195	80	60	120	160	1 1/4"	50	235	233	103	195	18	38	589	213	652	61	180	15	33	T2-80	20
AN-33 1Ø	80	557	402	100	208	230	195	80	60	120	160	1 1/4"	50	235	233	103	195	18	38	601	213	664	61	180	15	37	T2-80	20
AN-32 3Ø	80	557	402	100	208	230	195	80	60	120	160	1 1/4"	50	235	233	103	195	18	38	508	213	571	61	180	15	29	T2-80	20
AN-33 3Ø	80	557	402	100	208	230	195	80	60	120	160	1 1/4"	50	235	233	103	195	18	38	508	213	571	61	180	15	32	T2-80	20

Dimensions-inch

Weight:lb

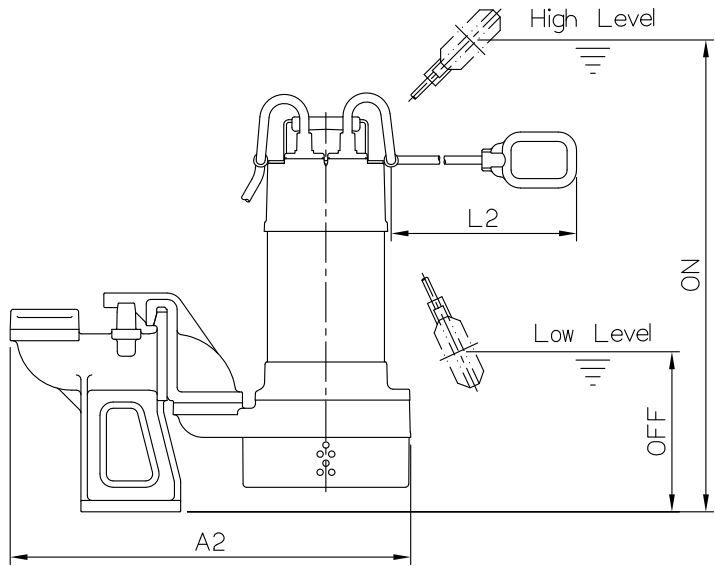
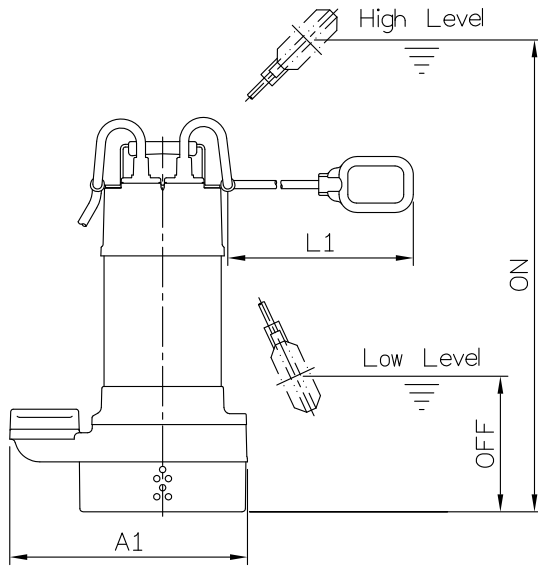
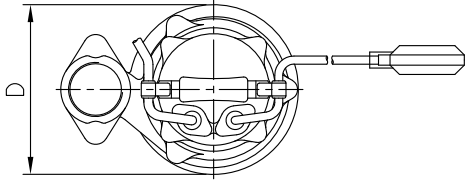
Model	d	A	B	C	D	E	F	G	I	J	J1	K	L	M	N	O	O1	P	P1	W1	W2	H1	H2	H3	H4	WT1	GRS Set	WT2
AN-32 1Ø	3	21 15/16	15 3/16	3 15/16	8 3/16	9 1/16	7 11/16	3 1/8	2 3/8	4 3/4	6 5/16	1 1/4	2	9 3/4	9 3/16	4 1/16	7 11/16	1 1/16	1 1/2	23 3/16	8 3/8	25 1/16	2 3/8	7 1/16	5/16	73	T2-80	43
AN-33 1Ø	3	21 15/16	15 3/16	3 15/16	8 3/16	9 1/16	7 11/16	3 1/8	2 3/8	4 3/4	6 5/16	1 1/4	2	9 3/4	9 3/16	4 1/16	7 11/16	1 1/16	1 1/2	23 3/16	8 3/8	26 1/8	2 3/8	7 1/16	5/16	82	T2-80	43
AN-32 3Ø	3	21 15/16	15 3/16	3 15/16	8 3/16	9 1/16	7 11/16	3 1/8	2 3/8	4 3/4	6 5/16	1 1/4	2	9 3/4	9 3/16	4 1/16	7 11/16	1 1/16	1 1/2	20	8 3/8	22 1/2	2 3/8	7 1/16	5/16	64	T2-80	43
AN-33 3Ø	3	21 15/16	15 3/16	3 15/16	8 3/16	9 1/16	7 11/16	3 1/8	2 3/8	4 3/4	6 5/16	1 1/4	2	9 3/4	9 3/16	4 1/16	7 11/16	1 1/16	1 1/2	20	8 3/8	22 1/2	2 3/8	7 1/16	5/16	71	T2-80	43

C.W.L.:Continuous Running Water Level WT1:Pump Weight(Without Cable)
L.W.L.:Lowest Running Water Level WT2:GRS Set Weight

DIMENSIONS

No: SOAN00000F-00

Float Switch Pumps Model



Model	Pump Only												With GRS									
	Dimensions-mm					Weight-kg		Dimensions-inch					Weight-lb		Dimensions-mm				Dimensions-inch			
	A1	D	L1	ON	OFF	WT1 50Hz/60Hz	WT2	A1	D	L1	ON	OFF	WT1 50Hz/60Hz	WT2	A2	L2	ON	OFF	A2	L2	ON	OFF
AN-21F 1Ø	262	187	380	520	180	18.5	0.5	10 ⁵ / ₁₆	7 ³ / ₈	14 ¹⁵ / ₁₆	20 ¹ / ₂	7 ¹ / ₁₆	41	1	443	380	547	207	17 ⁷ / ₁₆	14 ¹⁵ / ₁₆	21 ¹ / ₁₆	8 ³ / ₈
AN-21.5F 1Ø	262	187	380	540	200	20.5	0.5	10 ⁹ / ₁₆	7 ³ / ₈	14 ¹⁵ / ₁₆	21 ¹ / ₄	7 ⁷ / ₈	45	1	443	380	567	227	17 ⁷ / ₁₆	14 ¹⁵ / ₁₆	22 ⁵ / ₁₆	8 ¹⁵ / ₁₆
AN-22F 1Ø	282	207	455	658	208	31.5	0.5	11 ¹ / ₈	8 ³ / ₈	17 ¹⁵ / ₁₆	25 ⁷ / ₈	8 ³ / ₁₆	69	1	557	455	685	235	21 ¹⁵ / ₁₆	17 ¹⁵ / ₁₆	26 ¹⁵ / ₁₆	9 ³ / ₄
AN-23F 1Ø	282	207	455	670	220	35.5	0.5	11 ¹ / ₈	8 ³ / ₈	17 ¹⁵ / ₁₆	26 ³ / ₈	8 ¹¹ / ₁₆	78	1	557	455	697	247	21 ¹⁵ / ₁₆	17 ¹⁵ / ₁₆	27 ¹ / ₁₆	9 ³ / ₄
AN-32F 1Ø	391	208	455	668	218	33.5	5	15 ³ / ₈	8 ³ / ₁₆	17 ¹⁵ / ₁₆	26 ¹ / ₁₆	8 ³ / ₁₆	74	11	557	455	729	279	21 ¹⁵ / ₁₆	17 ¹⁵ / ₁₆	28 ¹ / ₁₆	11
AN-33F 1Ø	391	208	455	680	230	37.5/37	5	15 ³ / ₈	8 ³ / ₁₆	17 ¹⁵ / ₁₆	26 ³ / ₄	9 ¹ / ₁₆	83/81.5	11	557	455	741	291	21 ¹⁵ / ₁₆	17 ¹⁵ / ₁₆	29 ³ / ₁₆	11 ¹ / ₁₆
AN-43F 1Ø	389	207	455	680	230	37.5	5	15 ³ / ₁₆	8 ³ / ₈	17 ¹⁵ / ₁₆	26 ³ / ₄	9 ¹ / ₁₆	83	11	656	455	707	257	25 ³ / ₁₆	17 ¹⁵ / ₁₆	27 ³ / ₁₆	10 ⁷ / ₈
AN-21F 3Ø	262	187	380	520	180	18	0.5	10 ⁹ / ₁₆	7 ³ / ₈	14 ¹⁵ / ₁₆	20 ¹ / ₂	7 ¹ / ₁₆	40	1	443	380	547	207	17 ⁷ / ₁₆	14 ¹⁵ / ₁₆	21 ¹ / ₁₆	8 ³ / ₈
AN-21.5F 3Ø	262	187	380	520	180	19	0.5	10 ⁹ / ₁₆	7 ³ / ₈	14 ¹⁵ / ₁₆	20 ¹ / ₂	7 ¹ / ₁₆	42	1	443	380	547	207	17 ⁷ / ₁₆	14 ¹⁵ / ₁₆	21 ¹ / ₁₆	8 ³ / ₈
AN-22F 3Ø	282	207	510	586	216	29.5	0.5	11 ¹ / ₈	8 ³ / ₈	20 ¹ / ₁₆	23 ³ / ₁₆	8 ¹ / ₂	65	1	557	510	613	243	21 ¹⁵ / ₁₆	20 ¹ / ₁₆	24 ¹ / ₈	9 ⁹ / ₁₆
AN-23F 3Ø	282	207	510	586	216	32.5	0.5	11 ¹ / ₈	8 ³ / ₈	20 ¹ / ₁₆	23 ³ / ₁₆	8 ¹ / ₂	72	1	557	510	613	243	21 ¹⁵ / ₁₆	20 ¹ / ₁₆	24 ¹ / ₈	9 ⁹ / ₁₆
AN-32F 3Ø	391	208	510	596	226	31.5	5	15 ³ / ₈	8 ³ / ₁₆	20 ¹ / ₁₆	23 ³ / ₁₆	8 ⁷ / ₈	69.5	11	557	510	657	287	21 ¹⁵ / ₁₆	20 ¹ / ₁₆	25 ¹ / ₈	11 ¹ / ₁₆
AN-33F 3Ø	391	208	510	596	226	34.5/34	5	15 ³ / ₈	8 ³ / ₁₆	20 ¹ / ₁₆	23 ³ / ₁₆	8 ⁷ / ₈	76/75	11	557	510	657	287	21 ¹⁵ / ₁₆	20 ¹ / ₁₆	25 ¹ / ₈	11 ¹ / ₁₆
AN-43F 3Ø	389	207	510	607	237	34.5	5	15 ³ / ₁₆	8 ³ / ₈	20 ¹ / ₁₆	23 ³ / ₁₆	9 ¹ / ₁₆	76	11	656	510	634	264	25 ³ / ₁₆	20 ¹ / ₁₆	24 ¹ / ₈	10 ⁷ / ₈

WT1:Pump Weight(including float switch)
WT2:Elbow Set Weight