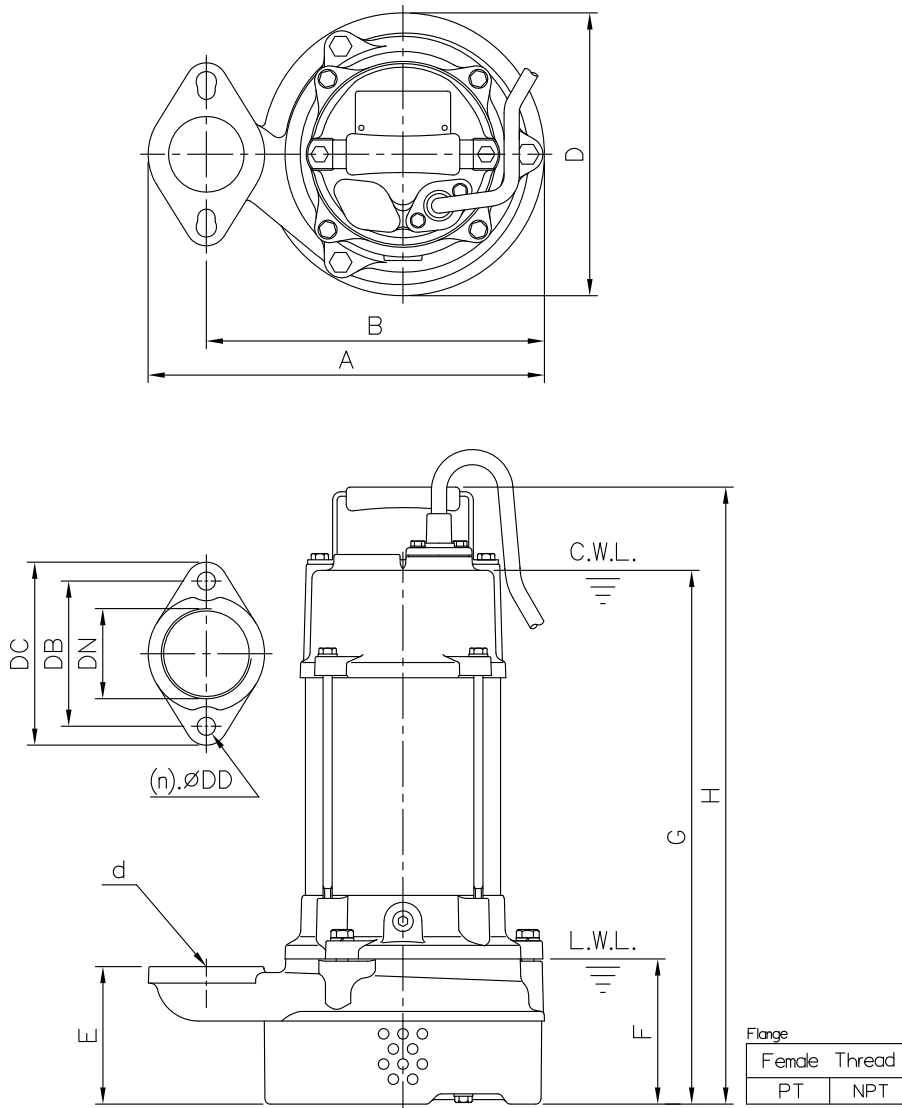


DIMENSIONS

No: S2AN0211010-00

MODEL: AN-21 & AN-21.5

1 Ø



Dimensions—mm

Weight:kg

Model	d	A	B	D	E	F	G	H	WT1	Elbow (Flange) Set	DN	DB	DC	DD	(n)QTY	WT2
AN-21	50	262	224	187	91	90	353	408	18	EF2-96	50	96	121	12	2	1
AN-21	50	262	224	187	91	90	353	408	18	EF1½-96	40	96	121	12	2	1
AN-21.5	50	262	224	187	91	90	373	428	20	EF2-96	50	96	121	12	2	1
AN-21.5	50	262	224	187	91	90	373	428	20	EF1½-96	40	96	121	12	2	1

Dimensions—inch

Weight:lb

Model	d	A	B	D	E	F	G	H	WT1	Elbow (Flange) Set	DN	DB	DC	DD	(n)QTY	WT2
AN-21	2	10 ⁵ / ₁₆	8 ¹³ / ₁₆	7 ³ / ₈	3 ³ / ₁₆	3 ³ / ₁₆	13 ³ / ₁₆	16 ¹ / ₁₆	40	EF2-96	2	3 ³ / ₄	4 ³ / ₄	½	2	1
AN-21	2	10 ⁵ / ₁₆	8 ¹³ / ₁₆	7 ³ / ₈	3 ³ / ₁₆	3 ³ / ₁₆	13 ³ / ₁₆	16 ¹ / ₁₆	40	EF1½-96	1½	3 ³ / ₄	4 ³ / ₄	½	2	1
AN-21.5	2	10 ⁵ / ₁₆	8 ¹³ / ₁₆	7 ³ / ₈	3 ³ / ₁₆	3 ³ / ₁₆	14 ¹ / ₁₆	16 ¹ / ₁₆	44	EF2-96	2	3 ³ / ₄	4 ³ / ₄	½	2	1
AN-21.5	2	10 ⁵ / ₁₆	8 ¹³ / ₁₆	7 ³ / ₈	3 ³ / ₁₆	3 ³ / ₁₆	14 ¹ / ₁₆	16 ¹ / ₁₆	44	EF1½-96	1½	3 ³ / ₄	4 ³ / ₄	½	2	1

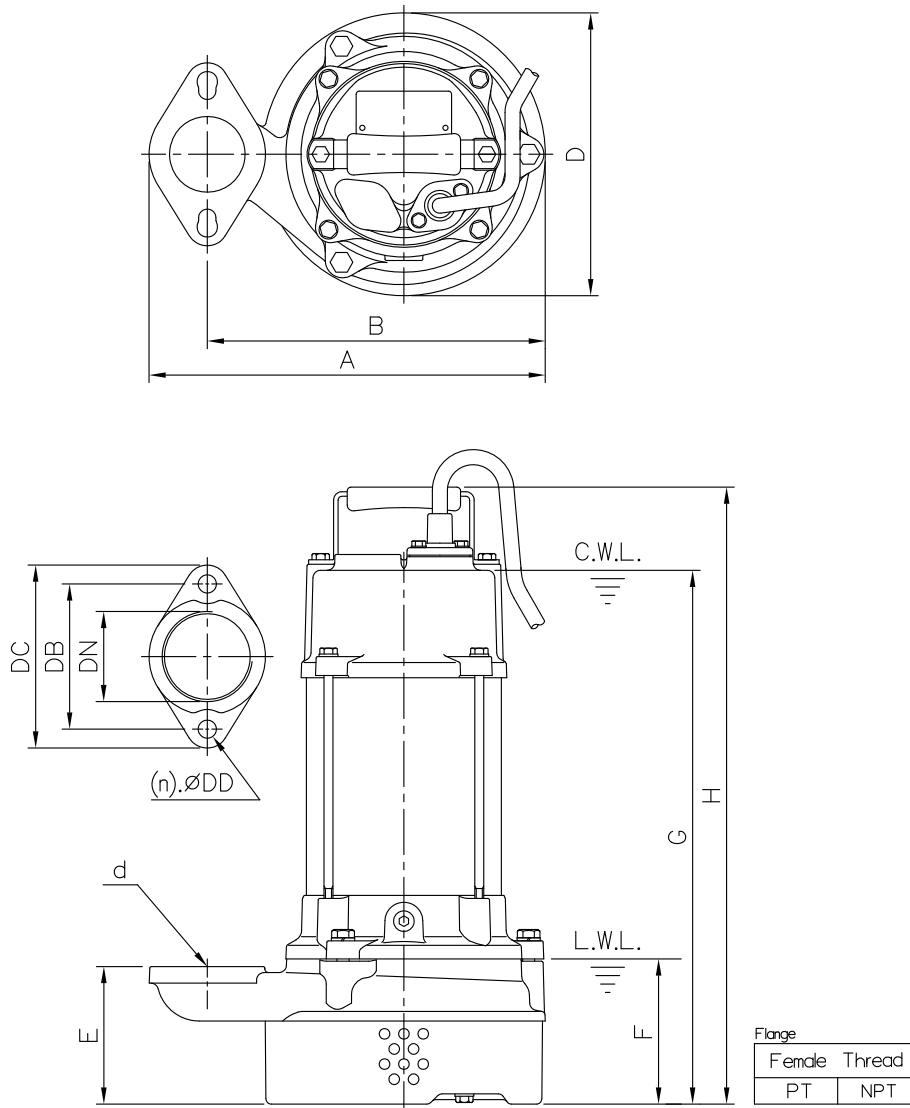
C.W.L.:Continuous Running Water Level WT1:Pump Weight(Without Cable)
 L.W.L.:Lowest Running Water Level WT2:Elbow Set Weight

DIMENSIONS

No: S2AN0211030-00

MODEL: AN-21 & AN-21.5

3 Ø



Dimensions—mm

Weight:kg

Model	d	A	B	D	E	F	G	H	WT1	Elbow (Flange) Set	DN	DB	DC	DD	(n)QTY	WT2
AN-21	50	262	224	187	91	90	353	408	17	EF2-96	50	96	121	12	2	1
AN-21	50	262	224	187	91	90	353	408	17	EF1½-96	40	96	121	12	2	1
AN-21.5	50	262	224	187	91	90	353	408	18	EF2-96	50	96	121	12	2	1
AN-21.5	50	262	224	187	91	90	353	408	18	EF1½-96	40	96	121	12	2	1

Dimensions—inch

Weight:lb

Model	d	A	B	D	E	F	G	H	WT1	Elbow (Flange) Set	DN	DB	DC	DD	(n)QTY	WT2
AN-21	2	10 ⁵ / ₁₆	8 ¹³ / ₁₆	7 ³ / ₈	3 ³ / ₁₆	3 ³ / ₁₆	13 ³ / ₈	16 ¹ / ₁₆	38	EF2-96	2	3 ³ / ₄	4 ³ / ₄	½	2	1
AN-21	2	10 ⁵ / ₁₆	8 ¹³ / ₁₆	7 ³ / ₈	3 ³ / ₁₆	3 ³ / ₁₆	13 ³ / ₈	16 ¹ / ₁₆	38	EF1½-96	1½	3 ³ / ₄	4 ³ / ₄	½	2	1
AN-21.5	2	10 ⁵ / ₁₆	8 ¹³ / ₁₆	7 ³ / ₈	3 ³ / ₁₆	3 ³ / ₁₆	13 ³ / ₈	16 ¹ / ₁₆	40	EF2-96	2	3 ³ / ₄	4 ³ / ₄	½	2	1
AN-21.5	2	10 ⁵ / ₁₆	8 ¹³ / ₁₆	7 ³ / ₈	3 ³ / ₁₆	3 ³ / ₁₆	13 ³ / ₈	16 ¹ / ₁₆	40	EF1½-96	1½	3 ³ / ₄	4 ³ / ₄	½	2	1

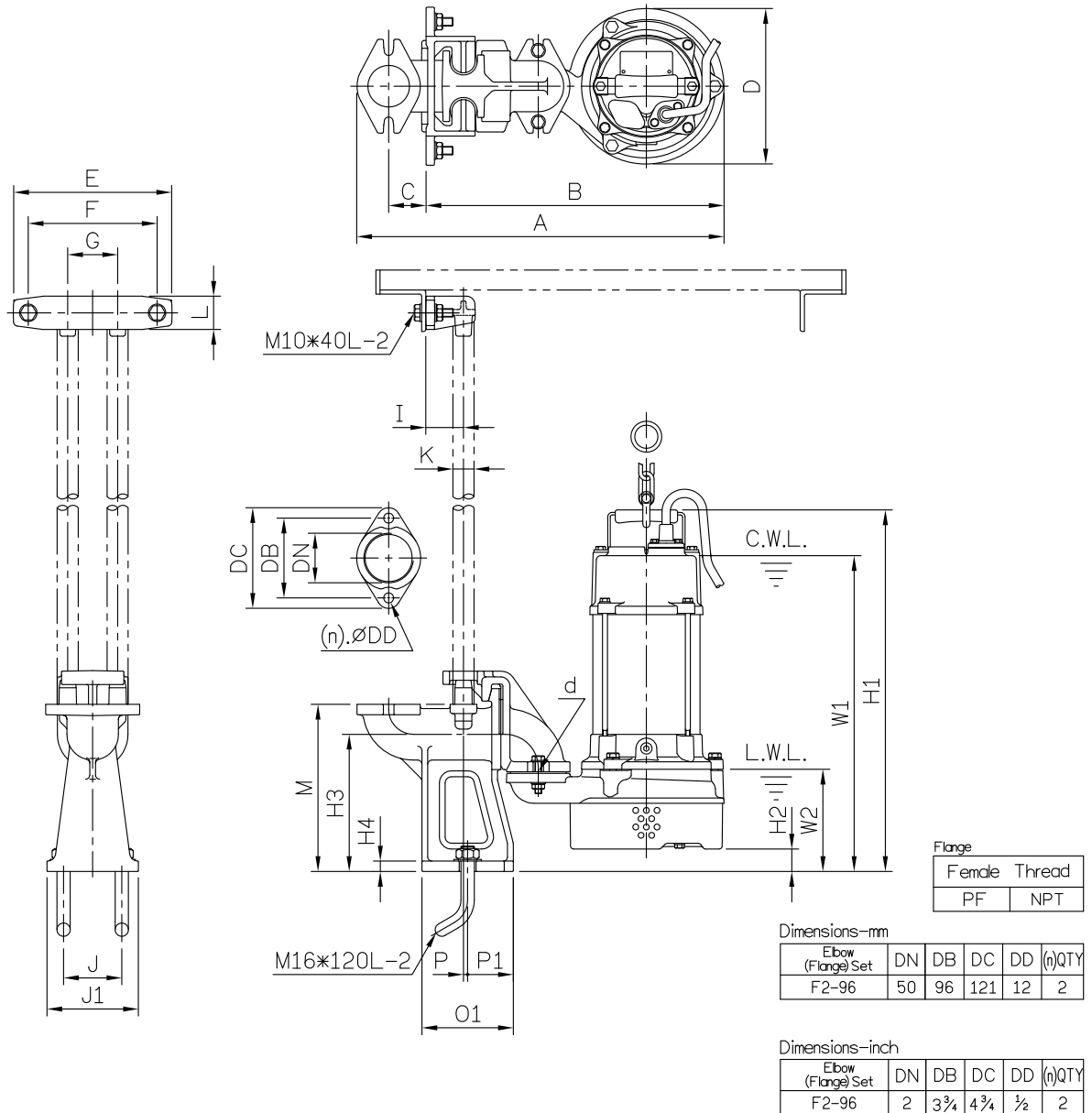
C.W.L.:Continuous Running Water Level WT1:Pump Weight(Without Cable)
 L.W.L.:Lowest Running Water Level WT2:Elbow Set Weight

DIMENSIONS

NO: S2AN021103T-00

MODEL: AN-21 & AN-21.5

1Ø & 3Ø



Dimensions-mm

Weight:kg

Model	d	A	B	C	D	E	F	G	I	J	J1	K	L	M	O1	P	P1	W1	W2	H1	H2	H3	H4	WT1	GRS Set	WT2
AN-21 1Ø	50	443	359	45	345	190	155	60	45	70	110	3/4"	40	201	110	5	55	380	123	435	27	165	13	18	T2-50	9
AN-21.5 1Ø	50	443	359	45	345	190	155	60	45	70	110	3/4"	40	201	110	5	55	400	123	455	27	165	13	20	T2-50	9
AN-21 3Ø	50	443	359	45	345	190	155	60	45	70	110	3/4"	40	201	110	5	55	380	123	435	27	165	13	17	T2-50	9
AN-21.5 3Ø	50	443	359	45	345	190	155	60	45	70	110	3/4"	40	201	110	5	55	380	123	435	27	165	13	18	T2-50	9

Dimensions-inch

Weight:lb

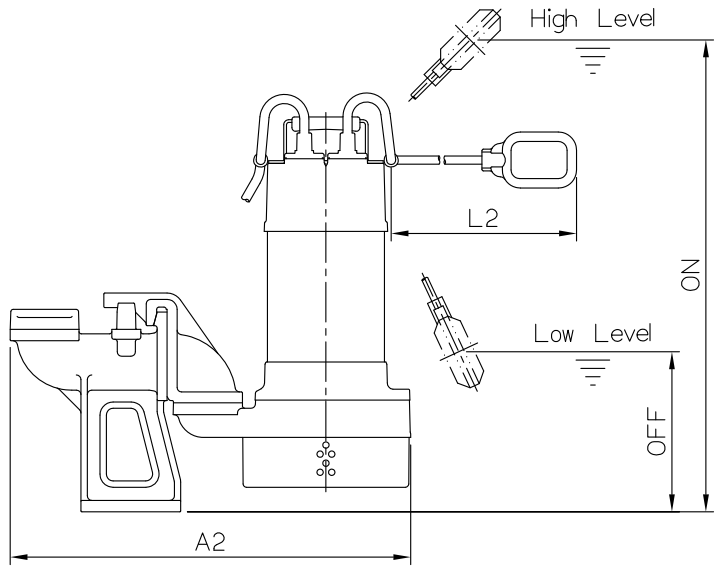
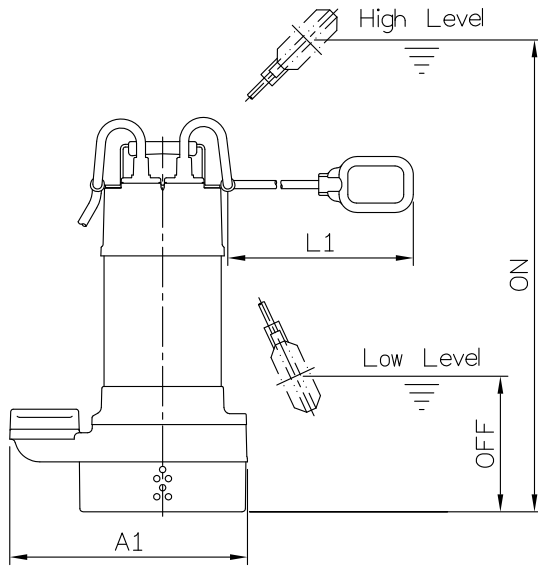
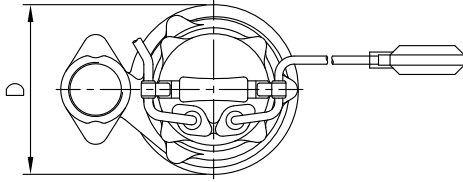
Model	d	A	B	C	D	E	F	G	I	J	J1	K	L	M	O1	P	P1	W1	W2	H1	H2	H3	H4	WT1	GRS Set	WT2
AN-21 1Ø	2	17 1/8	14 1/8	1 3/4	13 3/8	7 1/2	6 1/8	2 3/8	1 3/4	2 3/4	4 5/16	3/4	1 1/8	7 15/16	4 5/16	3/16	2 1/16	14 15/16	4 13/16	17 1/8	1 1/8	6 1/2	1/2	40	T2-50	19
AN-21.5 1Ø	2	17 1/8	14 1/8	1 3/4	13 3/8	7 1/2	6 1/8	2 3/8	1 3/4	2 3/4	4 5/16	3/4	1 1/8	7 15/16	4 5/16	3/16	2 1/16	15 1/4	4 13/16	17 1/8	1 1/8	6 1/2	1/2	44	T2-50	19
AN-21 3Ø	2	17 1/8	14 1/8	1 3/4	13 3/8	7 1/2	6 1/8	2 3/8	1 3/4	2 3/4	4 5/16	3/4	1 1/8	7 15/16	4 5/16	3/16	2 1/16	14 15/16	4 13/16	17 1/8	1 1/8	6 1/2	1/2	37	T2-50	19
AN-21.5 3Ø	2	17 1/8	14 1/8	1 3/4	13 3/8	7 1/2	6 1/8	2 3/8	1 3/4	2 3/4	4 5/16	3/4	1 1/8	7 15/16	4 5/16	3/16	2 1/16	14 15/16	4 13/16	17 1/8	1 1/8	6 1/2	1/2	40	T2-50	19

C.W.L.:Continuous Running Water Level WT1:Pump Weight(Without Cable)
L.W.L.:Lowest Running Water Level WT2:GRS Set Weight

DIMENSIONS

No: SOAN00000F-00

Float Switch Pumps Model



Model	Pump Only												With GRS									
	Dimensions-mm					Weight-kg		Dimensions-inch					Weight-lb		Dimensions-mm				Dimensions-inch			
	A1	D	L1	ON	OFF	WT1 50Hz/60Hz	WT2	A1	D	L1	ON	OFF	WT1 50Hz/60Hz	WT2	A2	L2	ON	OFF	A2	L2	ON	OFF
AN-21F 1Ø	262	187	380	520	180	18.5	0.5	10 ⁵ / ₁₆	7 ³ / ₈	14 ¹⁵ / ₁₆	20 ¹ / ₂	7 ¹ / ₁₆	41	1	443	380	547	207	17 ⁷ / ₁₆	14 ¹⁵ / ₁₆	21 ¹ / ₁₆	8 ³ / ₈
AN-21.5F 1Ø	262	187	380	540	200	20.5	0.5	10 ⁹ / ₁₆	7 ³ / ₈	14 ¹⁵ / ₁₆	21 ¹ / ₄	7 ⁷ / ₈	45	1	443	380	567	227	17 ⁷ / ₁₆	14 ¹⁵ / ₁₆	22 ⁵ / ₁₆	8 ¹⁵ / ₁₆
AN-22F 1Ø	282	207	455	658	208	31.5	0.5	11 ¹ / ₈	8 ³ / ₈	17 ¹⁵ / ₁₆	25 ⁷ / ₈	8 ³ / ₁₆	69	1	557	455	685	235	21 ¹⁵ / ₁₆	17 ¹⁵ / ₁₆	26 ¹⁵ / ₁₆	9 ³ / ₄
AN-23F 1Ø	282	207	455	670	220	35.5	0.5	11 ¹ / ₈	8 ³ / ₈	17 ¹⁵ / ₁₆	26 ³ / ₈	8 ¹¹ / ₁₆	78	1	557	455	697	247	21 ¹⁵ / ₁₆	17 ¹⁵ / ₁₆	27 ¹ / ₁₆	9 ³ / ₄
AN-32F 1Ø	391	208	455	668	218	33.5	5	15 ³ / ₈	8 ³ / ₁₆	17 ¹⁵ / ₁₆	26 ¹ / ₁₆	8 ³ / ₁₆	74	11	557	455	729	279	21 ¹⁵ / ₁₆	17 ¹⁵ / ₁₆	28 ¹ / ₁₆	11
AN-33F 1Ø	391	208	455	680	230	37.5/37	5	15 ³ / ₈	8 ³ / ₁₆	17 ¹⁵ / ₁₆	26 ³ / ₄	9 ¹ / ₁₆	83/81.5	11	557	455	741	291	21 ¹⁵ / ₁₆	17 ¹⁵ / ₁₆	29 ³ / ₁₆	11 ¹ / ₁₆
AN-43F 1Ø	389	207	455	680	230	37.5	5	15 ³ / ₁₆	8 ³ / ₈	17 ¹⁵ / ₁₆	26 ³ / ₄	9 ¹ / ₁₆	83	11	656	455	707	257	25 ³ / ₁₆	17 ¹⁵ / ₁₆	27 ³ / ₁₆	10 ⁷ / ₈
AN-21F 3Ø	262	187	380	520	180	18	0.5	10 ⁹ / ₁₆	7 ³ / ₈	14 ¹⁵ / ₁₆	20 ¹ / ₂	7 ¹ / ₁₆	40	1	443	380	547	207	17 ⁷ / ₁₆	14 ¹⁵ / ₁₆	21 ¹ / ₁₆	8 ³ / ₈
AN-21.5F 3Ø	262	187	380	520	180	19	0.5	10 ⁹ / ₁₆	7 ³ / ₈	14 ¹⁵ / ₁₆	20 ¹ / ₂	7 ¹ / ₁₆	42	1	443	380	547	207	17 ⁷ / ₁₆	14 ¹⁵ / ₁₆	21 ¹ / ₁₆	8 ³ / ₈
AN-22F 3Ø	282	207	510	586	216	29.5	0.5	11 ¹ / ₈	8 ³ / ₈	20 ¹ / ₁₆	23 ³ / ₁₆	8 ¹ / ₂	65	1	557	510	613	243	21 ¹⁵ / ₁₆	20 ¹ / ₁₆	24 ¹ / ₈	9 ⁹ / ₁₆
AN-23F 3Ø	282	207	510	586	216	32.5	0.5	11 ¹ / ₈	8 ³ / ₈	20 ¹ / ₁₆	23 ³ / ₁₆	8 ¹ / ₂	72	1	557	510	613	243	21 ¹⁵ / ₁₆	20 ¹ / ₁₆	24 ¹ / ₈	9 ⁹ / ₁₆
AN-32F 3Ø	391	208	510	596	226	31.5	5	15 ³ / ₈	8 ³ / ₁₆	20 ¹ / ₁₆	23 ³ / ₁₆	8 ⁷ / ₈	69.5	11	557	510	657	287	21 ¹⁵ / ₁₆	20 ¹ / ₁₆	25 ¹ / ₈	11 ¹ / ₁₆
AN-33F 3Ø	391	208	510	596	226	34.5/34	5	15 ³ / ₈	8 ³ / ₁₆	20 ¹ / ₁₆	23 ³ / ₁₆	8 ⁷ / ₈	76/75	11	557	510	657	287	21 ¹⁵ / ₁₆	20 ¹ / ₁₆	25 ¹ / ₈	11 ¹ / ₁₆
AN-43F 3Ø	389	207	510	607	237	34.5	5	15 ³ / ₁₆	8 ³ / ₈	20 ¹ / ₁₆	23 ³ / ₁₆	9 ¹ / ₁₆	76	11	656	510	634	264	25 ³ / ₁₆	20 ¹ / ₁₆	24 ¹ / ₈	10 ⁷ / ₈

WT1:Pump Weight(including float switch)
WT2:Elbow Set Weight