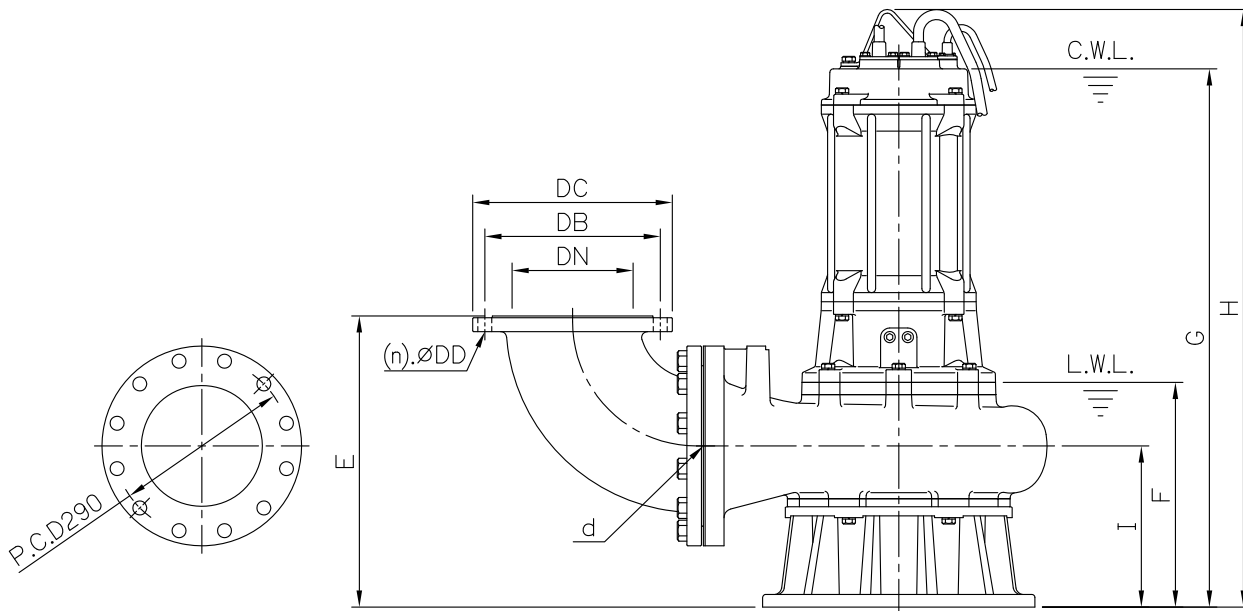
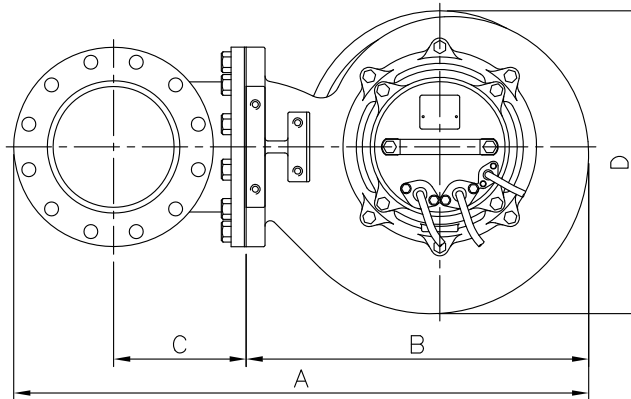


DIMENSIONS

No: S8AF04A5030-00

MODEL: AF-815 & AF-820

30



Dimensions-mm

Weight:Kg

Model	d	A	B	C	D	E	F	G	H	I	WT1 50Hz/60Hz	Elbow (Flange) Set	DN	DB	DC	DD	(n)QTY	WT2
AF-815	200	950	566	219	501	483	372	890	988	267	221/219	EB8-290	200	290	330	23	12	44
AF-820	200	950	566	219	501	483	372	890	988	267	234/232	EB8-290	200	290	330	23	12	44

Dimensions-inch

Weight:Lbs

Model	d	A	B	C	D	E	F	G	H	I	WT1 50Hz/60Hz	Elbow (Flange) Set	DN	DB	DC	DD	(n)QTY	WT2
AF-815	8	37 ³ / ₈	22 ⁵ / ₁₆	8 ⁵ / ₈	19 ³ / ₄	19	14 ⁵ / ₈	35 ¹ / ₈	38 ³ / ₈	10 ¹ / ₂	487/483	EB8-290	8	11 ¹ / ₁₆	13	⁷ / ₈	12	97
AF-820	8	37 ³ / ₈	22 ⁵ / ₁₆	8 ⁵ / ₈	19 ³ / ₄	19	14 ⁵ / ₈	35 ¹ / ₈	38 ³ / ₈	10 ¹ / ₂	516/511	EB8-290	8	11 ¹ / ₁₆	13	⁷ / ₈	12	97

C.W.L.:Continuous Running Water Level WT1:Pump Weight(Without Cable)
L.W.L.:Lowest Running Water Level WT2:Elbow Set Weight