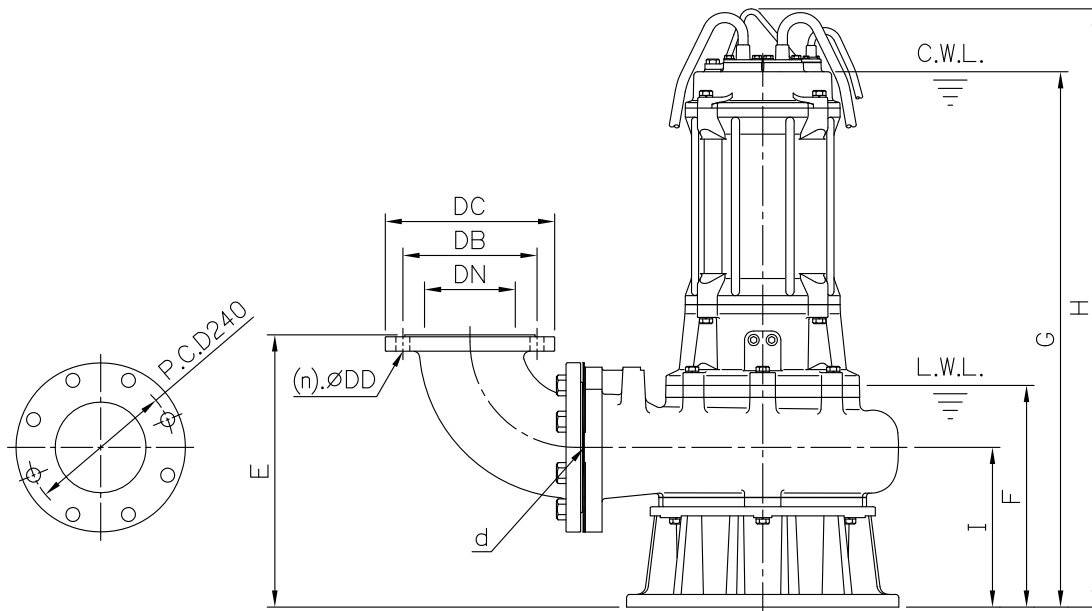
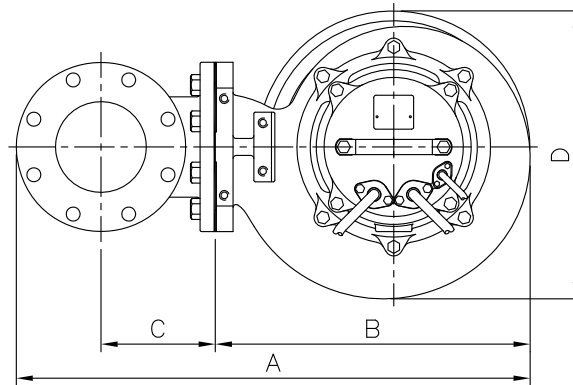


**DIMENSIONS**

**No: S6AF04A5030-00**

**MODEL: AF-615 & AF-620(60Hz)**

**3Ø**



Dimensions—mm

Weight:Kg

Model	d	A	B	C	D	E	F	G	H	I	WT1 50Hz/60Hz	Elbow (Flange) Set	DN	DB	DC	DD	(n)QTY	WT2
AF-615	150	850	521	189	476	450	367	885	989	264	219/217	EB6-240	150	240	280	23	8	36
AF-620(60Hz)	150	850	521	189	476	450	367	885	989	264	228	EB6-240	150	240	280	23	8	36

Dimensions—inch

Weight:Lbs

Model	d	A	B	C	D	E	F	G	H	I	WT1 50Hz/60Hz	Elbow (Flange) Set	DN	DB	DC	DD	(n)QTY	WT2
AF-615	6	33 <sup>3</sup> / <sub>16</sub>	20 <sup>1</sup> / <sub>2</sub>	7 <sup>1</sup> / <sub>16</sub>	18 <sup>3</sup> / <sub>4</sub>	17 <sup>1</sup> / <sub>16</sub>	14 <sup>1</sup> / <sub>16</sub>	34 <sup>1</sup> / <sub>16</sub>	38 <sup>1</sup> / <sub>16</sub>	10 <sup>3</sup> / <sub>16</sub>	483/478	EB6-240	6	9 <sup>1</sup> / <sub>16</sub>	11	1 <sup>1</sup> / <sub>16</sub>	8	79
AF-620(60Hz)	6	33 <sup>3</sup> / <sub>16</sub>	20 <sup>1</sup> / <sub>2</sub>	7 <sup>1</sup> / <sub>16</sub>	18 <sup>3</sup> / <sub>4</sub>	17 <sup>1</sup> / <sub>16</sub>	14 <sup>1</sup> / <sub>16</sub>	34 <sup>1</sup> / <sub>16</sub>	38 <sup>1</sup> / <sub>16</sub>	10 <sup>3</sup> / <sub>16</sub>	503	EB6-240	6	9 <sup>1</sup> / <sub>16</sub>	11	1 <sup>1</sup> / <sub>16</sub>	8	79

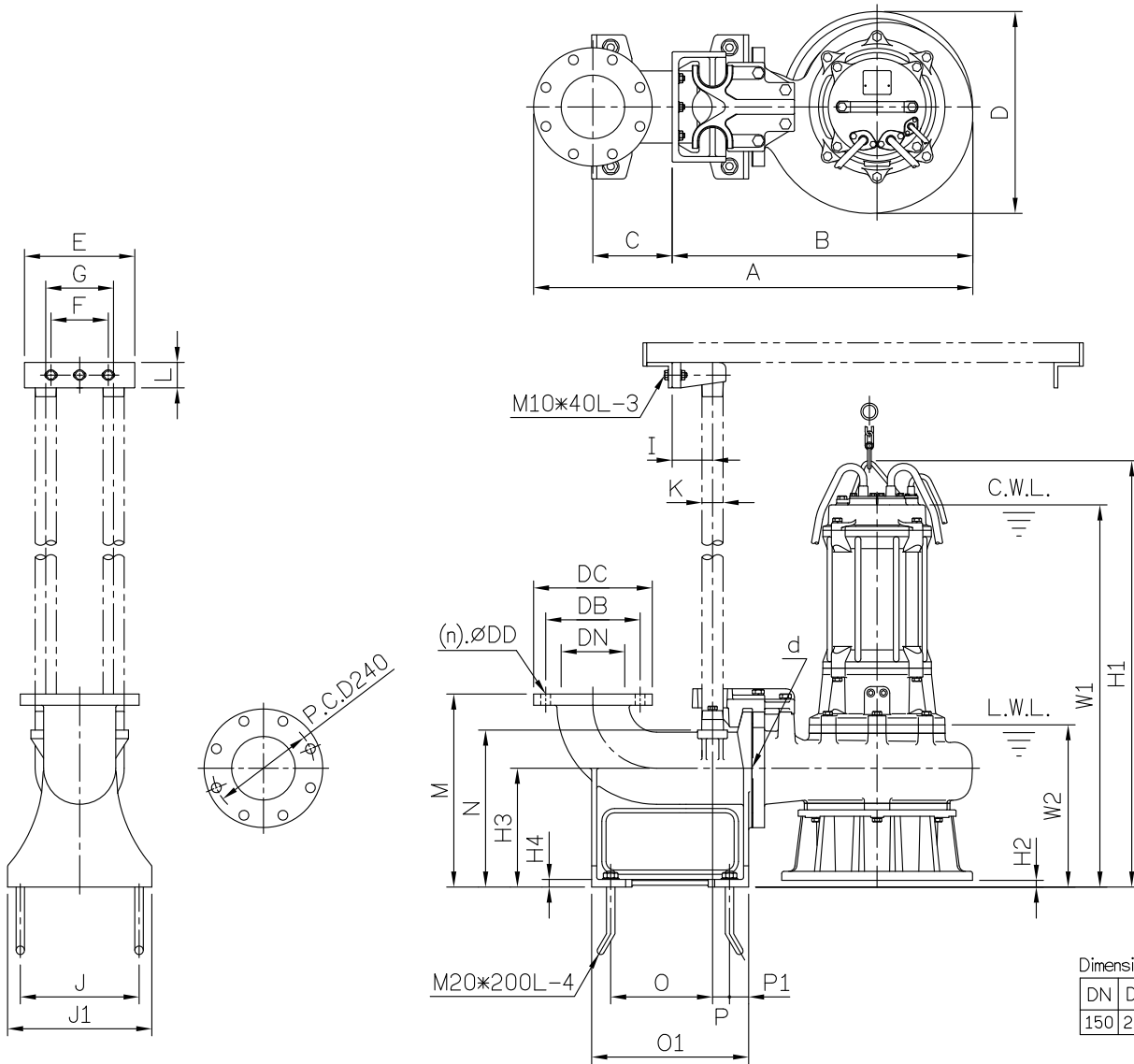
C.W.L.:Continuous Running Water Level WT1:Pump Weight(Without Cable)  
L.W.L.:Lowest Running Water Level WT2:Elbow Set Weight

**DIMENSIONS**

**No: S6AF04A503T-00**

**MODEL: AF-615 & AF-620(60Hz)**

**3Ø**



Dimensions-mm

DN	DB	DC	DD	(n)QTY
150	240	280	23	8

Dimensions-inch

DN	DB	DC	DD	(n)QTY
6	9 <sup>7</sup> / <sub>16</sub>	11	7/8	8

Dimensions-mm

Model	d	A	B	C	D	E	F	G	I	J	J1	K	L	M	N	O	O1	P	P1	W1	W2	H1	H2	H3	H4	WT1 50Hz/60Hz	GRS Set	WT2	Weight:Kg	
AF-615	150	1035	709	187	476	260	135	160	95	280	340	2"	60	455	370	240	370	40	45	901	384	1005	16	280	18	224/223	T150	97		
AF-620(60Hz)	150	1035	709	187	476	260	135	160	95	280	340	2"	60	455	370	240	370	40	45	901	384	1005	16	280	18	228	T150	97		

Dimensions-inch

Model	d	A	B	C	D	E	F	G	I	J	J1	K	L	M	N	O	O1	P	P1	W1	W2	H1	H2	H3	H4	WT1 50Hz/60Hz	GRS Set	WT2	Weight:Lbs
AF-615	6	40 <sup>3</sup> / <sub>4</sub>	27 <sup>5</sup> / <sub>16</sub>	7 <sup>3</sup> / <sub>8</sub>	18 <sup>3</sup> / <sub>4</sub>	10 <sup>1</sup> / <sub>4</sub>	5 <sup>5</sup> / <sub>16</sub>	6 <sup>5</sup> / <sub>16</sub>	3 <sup>3</sup> / <sub>4</sub>	11	13 <sup>3</sup> / <sub>8</sub>	2	2 <sup>3</sup> / <sub>8</sub>	17 <sup>15</sup> / <sub>16</sub>	14 <sup>3</sup> / <sub>16</sub>	9 <sup>7</sup> / <sub>16</sub>	14 <sup>3</sup> / <sub>16</sub>	1 <sup>1</sup> / <sub>16</sub>	1 <sup>1</sup> / <sub>4</sub>	35 <sup>1</sup> / <sub>2</sub>	15 <sup>5</sup> / <sub>8</sub>	39 <sup>9</sup> / <sub>16</sub>	5/8	11	1 <sup>1</sup> / <sub>16</sub>	494/492	T150	214	
AF-620(60Hz)	6	40 <sup>3</sup> / <sub>4</sub>	27 <sup>5</sup> / <sub>16</sub>	7 <sup>3</sup> / <sub>8</sub>	18 <sup>3</sup> / <sub>4</sub>	10 <sup>1</sup> / <sub>4</sub>	5 <sup>5</sup> / <sub>16</sub>	6 <sup>5</sup> / <sub>16</sub>	3 <sup>3</sup> / <sub>4</sub>	11	13 <sup>3</sup> / <sub>8</sub>	2	2 <sup>3</sup> / <sub>8</sub>	17 <sup>15</sup> / <sub>16</sub>	14 <sup>3</sup> / <sub>16</sub>	9 <sup>7</sup> / <sub>16</sub>	14 <sup>3</sup> / <sub>16</sub>	1 <sup>1</sup> / <sub>16</sub>	1 <sup>1</sup> / <sub>4</sub>	35 <sup>1</sup> / <sub>2</sub>	15 <sup>5</sup> / <sub>8</sub>	39 <sup>9</sup> / <sub>16</sub>	5/8	11	1 <sup>1</sup> / <sub>16</sub>	503	T150	214	

C.W.L.:Continuous Running Water Level      WT1:Pump Weight(Without Cable)  
 L.W.L.:Lowest Running Water Level          WT2:GRS Set Weight