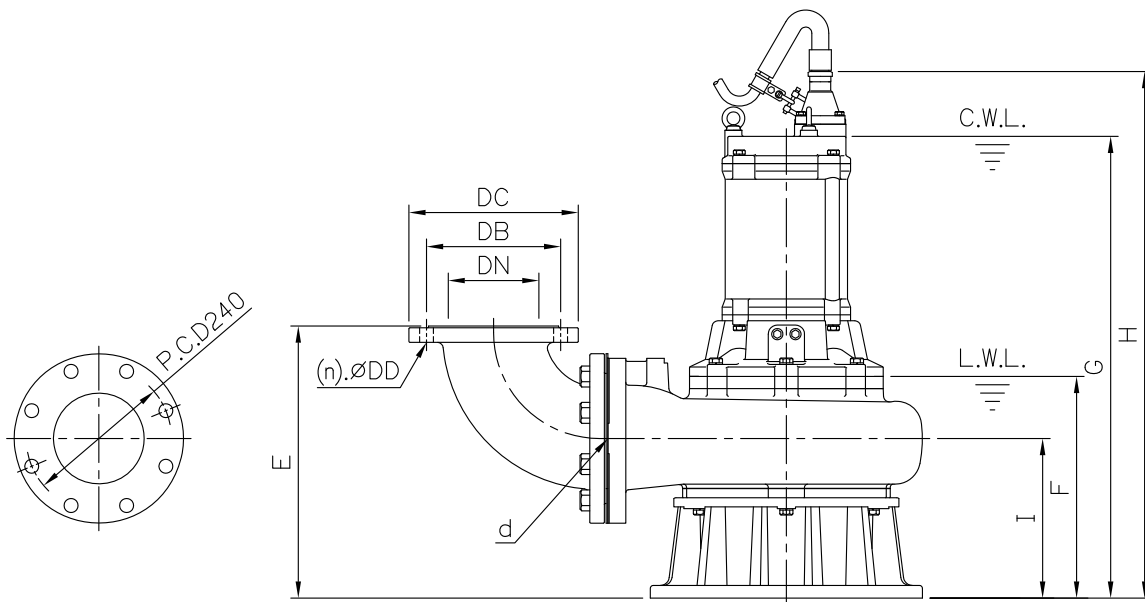
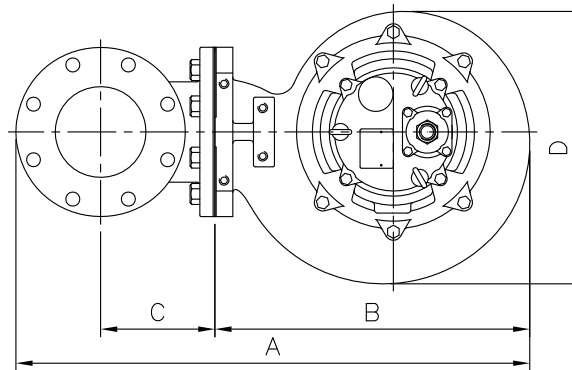


DIMENSIONS

No: S6AF0475030-00

MODEL: AF-610

30



Dimensions-mm

Weight:Kg

Model	d	A	B	C	D	E	F	G	H	I	WT1	Elbow (Flange) Set	DN	DB	DC	DD	(n)QTY	WT2
AF-610	150	850	521	189	450	450	367	764	871	264	183	EB6-240	150	240	280	23	8	36

Dimensions-inch

Weight:Lbs

Model	d	A	B	C	D	E	F	G	H	I	WT1	Elbow (Flange) Set	DN	DB	DC	DD	(n)QTY	WT2
AF-610	6	33 ⁷ / ₁₆	20 ¹ / ₂	7 ⁷ / ₁₆	17 ¹ / ₁₆	17 ¹ / ₁₆	14 ⁷ / ₁₆	30 ¹ / ₁₆	34 ⁵ / ₁₆	10 ³ / ₈	403	EB6-240	6	9 ⁷ / ₁₆	11	1 ⁵ / ₁₆	8	79

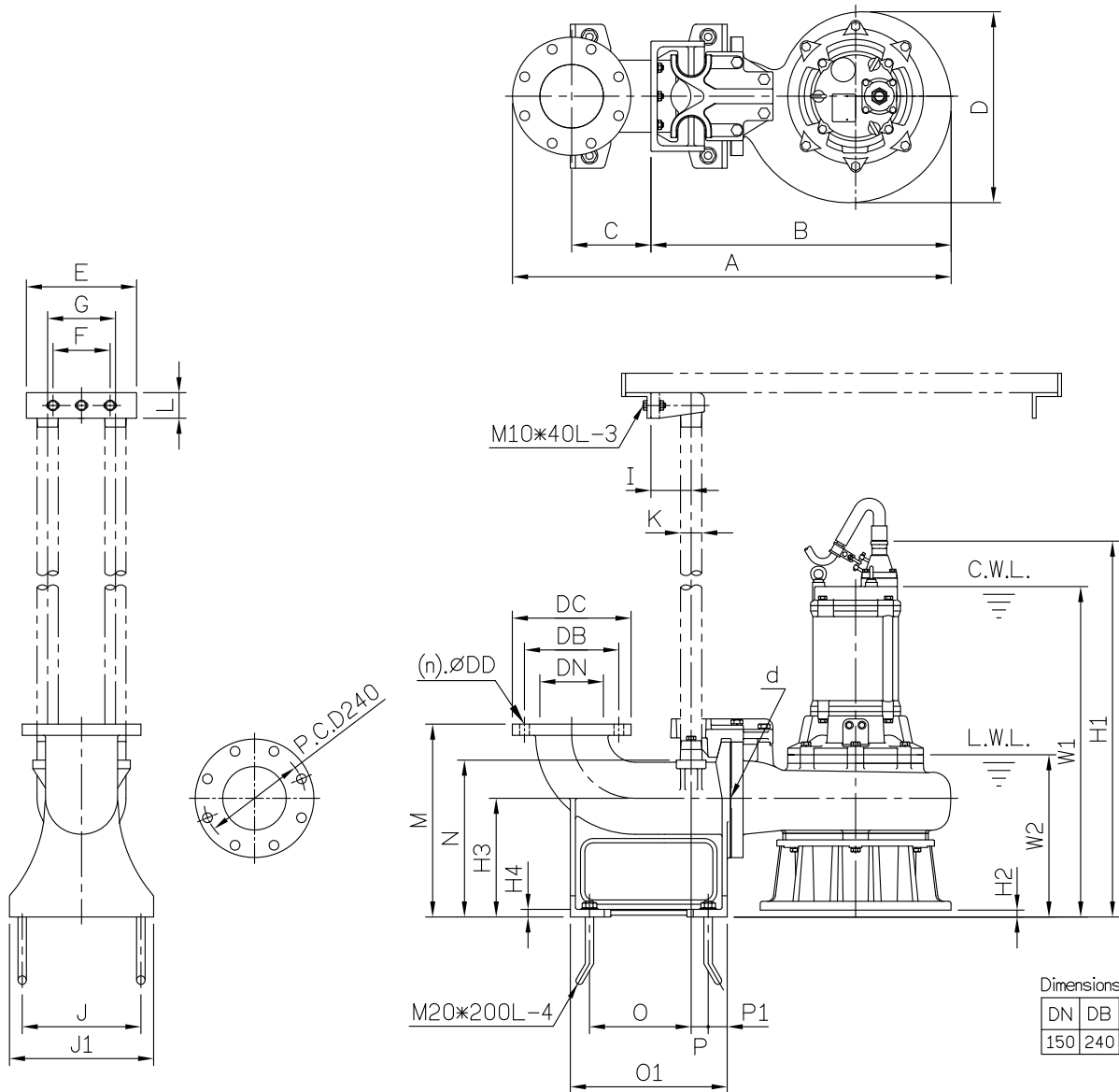
C.W.L.:Continuous Running Water Level WT1:Pump Weight(Without Cable)
 L.W.L.:Lowest Running Water Level WT2:Elbow Set Weight

DIMENSIONS

No: S6AF047503T-00

MODEL: AF-610

3Ø



Dimensions-mm

DN	DB	DC	DD	(n)QTY
150	240	280	23	8

Dimensions-inch

DN	DB	DC	DD	(n)QTY
6	9 5/16	11	7/8	8

Dimensions-mm

Model	d	A	B	C	D	E	F	G	I	J	J1	K	L	M	N	O	O1	P	P1	W1	W2	H1	H2	H3	H4	Weight:Kg		
																										WT1 50Hz/60Hz	GRS Set	WT2
AF-610	150	1035	709	187	450	260	135	160	95	280	340	2*	60	455	370	240	370	40	45	780	384	887	16	280	18	183	T150	97

Dimensions-inch

Model	d	A	B	C	D	E	F	G	I	J	J1	K	L	M	N	O	O1	P	P1	W1	W2	H1	H2	H3	H4	Weight:Lbs		
																										WT1 50Hz/60Hz	GRS Set	WT2
AF-610	6	40 3/4	27 15/16	7 3/8	17 11/16	10 1/4	5 5/16	6 5/16	3 3/4	11	13 3/8	2	2 3/8	17 15/16	14 1/8	9 1/16	14 9/16	1 1/16	1 3/4	30 1/16	15 1/8	34 15/16	5/8	11	1 1/16	403	T150	214

C.W.L.:Continuous Running Water Level WT1:Pump Weight(Without Cable)
L.W.L.:Lowest Running Water Level WT2:GRS Set Weight