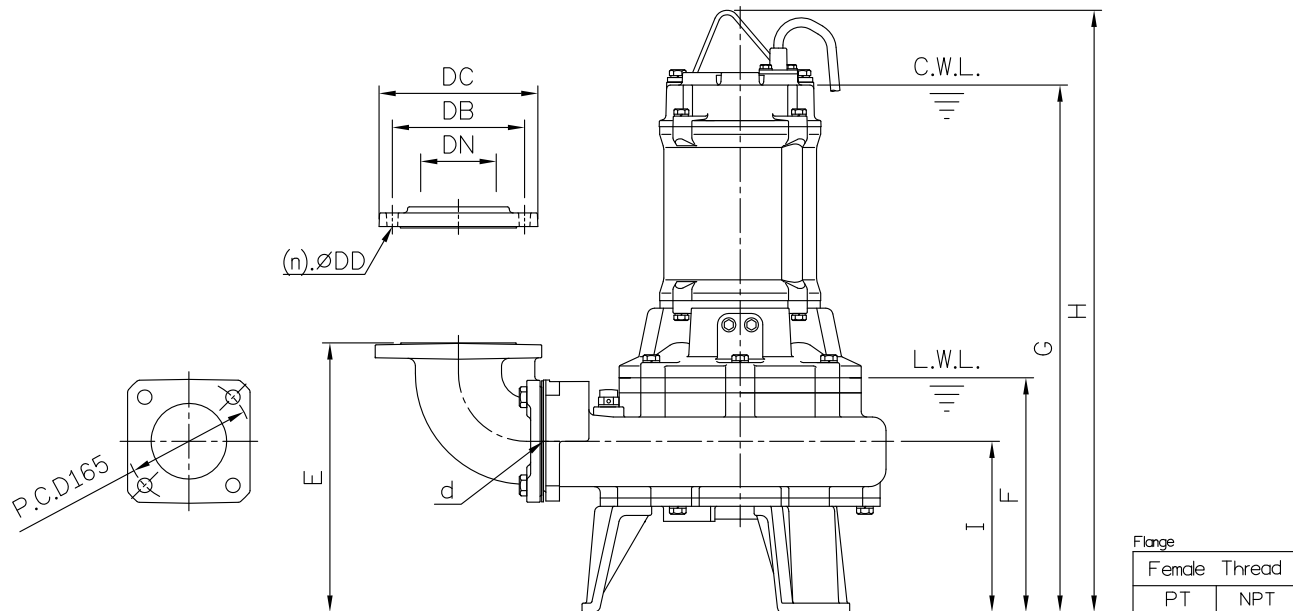
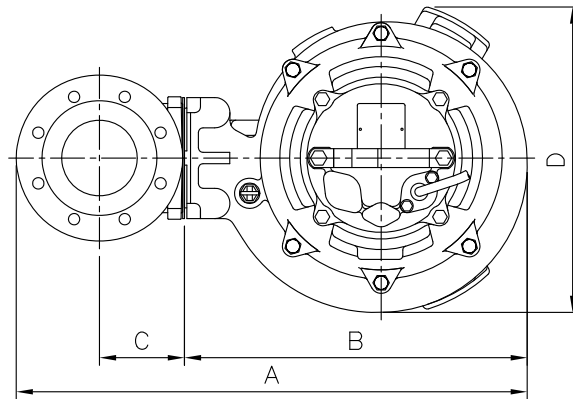


**DIMENSIONS**

**No: S4AFE455A30-00**

**MODEL: AF-55AE & AF-55AU**

**30**



Flange	
Female	Thread
PT	NPT

Dimensions—mm

Weight:Kg

Model	d	A	B	C	D	E	F	G	H	I	WT1 50Hz/60Hz	Elbow (Flange) Set	DN	DB	DC	DD	(n)QTY	WT2
AF-55AE	100	676	453	113	404	356	310	697	796	226	124/121	EB4-175A	100	175	210	15	8	13
AF-55AU	100	676	453	113	404	356	310	697	796	226	115/114	EB4-175A	100	175	210	15	8	13

Dimensions—inch

Weight:Lbs

Model	d	A	B	C	D	E	F	G	H	I	WT1 50Hz/60Hz	Elbow (Flange) Set	DN	DB	DC	DD	(n)QTY	WT2
AF-55AE	4	26 <sup>5</sup> / <sub>8</sub>	17 <sup>3</sup> / <sub>8</sub>	4 <sup>1</sup> / <sub>8</sub>	15 <sup>7</sup> / <sub>8</sub>	14	12 <sup>3</sup> / <sub>8</sub>	27 <sup>1</sup> / <sub>8</sub>	31 <sup>5</sup> / <sub>8</sub>	8 <sup>7</sup> / <sub>8</sub>	273/267	EB4-175A	4	6 <sup>7</sup> / <sub>8</sub>	8 <sup>3</sup> / <sub>4</sub>	9 <sup>1</sup> / <sub>8</sub>	8	29
AF-55AU	4	26 <sup>5</sup> / <sub>8</sub>	17 <sup>3</sup> / <sub>8</sub>	4 <sup>1</sup> / <sub>8</sub>	15 <sup>7</sup> / <sub>8</sub>	14	12 <sup>3</sup> / <sub>8</sub>	27 <sup>1</sup> / <sub>8</sub>	31 <sup>5</sup> / <sub>8</sub>	8 <sup>7</sup> / <sub>8</sub>	254/251	EB4-175A	4	6 <sup>7</sup> / <sub>8</sub>	8 <sup>3</sup> / <sub>4</sub>	9 <sup>1</sup> / <sub>8</sub>	8	29

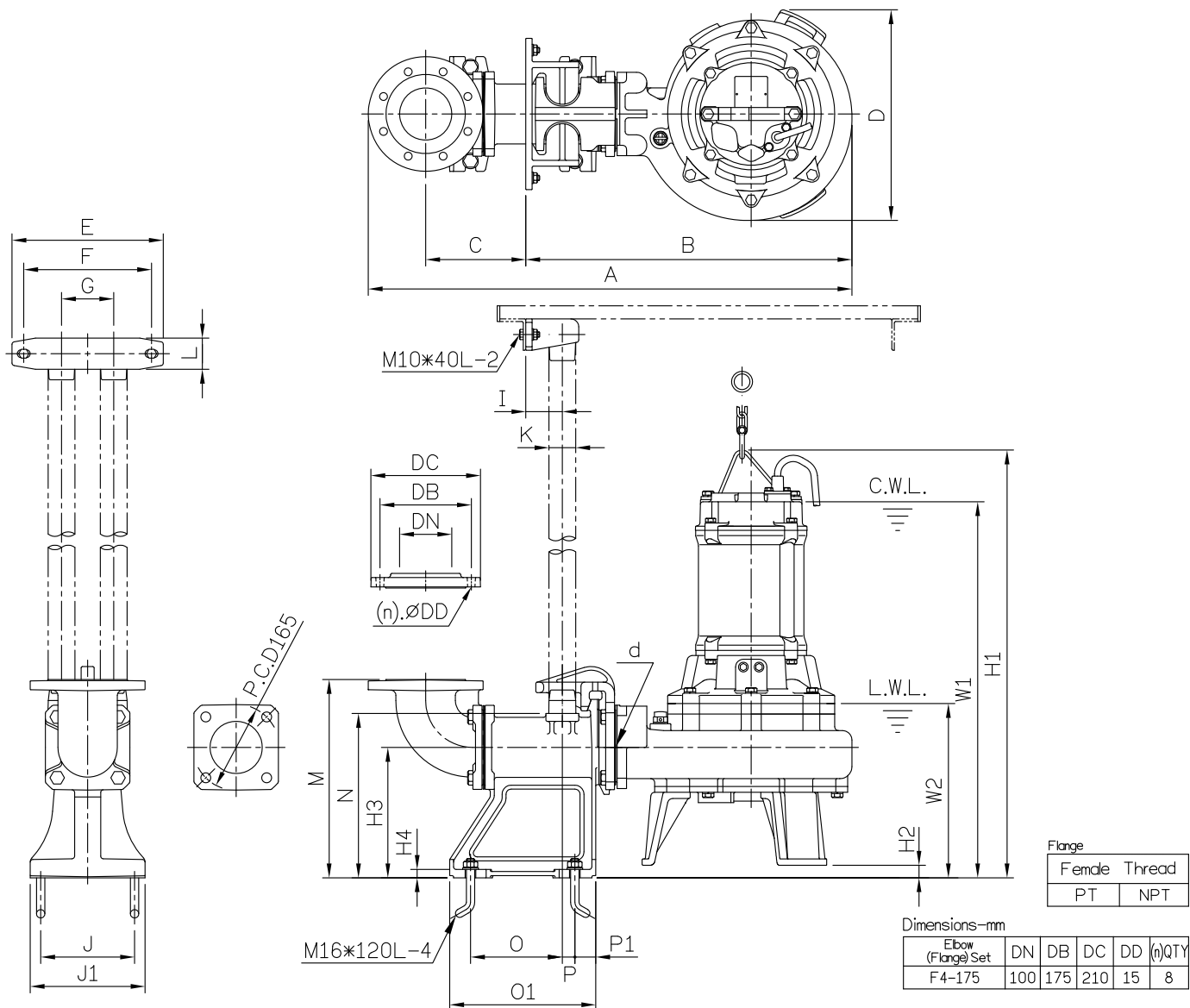
C.W.L.:Continuous Running Water Level WT1:Pump Weight(Without Cable)  
L.W.L.:Lowest Running Water Level WT2:Elbow Set Weight

**DIMENSIONS**

**No: S4AFE455A3T-00**

**MODEL: AF-55AE & AF-55AU**

**3Ø**



Flange	
Female	Thread
PT	NPT

Dimensions-mm

Elbow (Flange) Set	DN	DB	DC	DD	(n)QTY
F4-175	100	175	210	15	8

Dimensions-inch

Elbow (Flange) Set	DN	DB	DC	DD	(n)QTY
F4-175	4	6 7/8	8 3/4	3/16	8

Dimensions-mm

Model	d	A	B	C	D	E	F	G	I	J	J1	K	L	M	N	O	O1	P	P1	W1	W2	H1	H2	H3	H4	Weight:kg		
																										WT1 50Hz/60Hz	GRS Model	WT2
AF-55AE	100	930	628	192	404	290	245	100	70	180	220	2"	60	380	315	176	280	24	40	721	334	820	24	250	16	124/121	T100B	45
AF-55AU	100	930	628	192	404	290	245	100	70	180	220	2"	60	380	315	176	280	24	40	721	334	820	24	250	16	115/114	T100B	45

Dimensions-inch

Model	d	A	B	C	D	E	F	G	I	J	J1	K	L	M	N	O	O1	P	P1	W1	W2	H1	H2	H3	H4	Weight:lb		
																										WT1 50Hz/60Hz	GRS Model	WT2
AF-55AE	4	36 5/8	24 3/4	7 7/16	15 7/8	11 1/16	9 5/8	3 15/16	2 3/4	7 1/16	8 11/16	2	2 3/8	14 15/16	12 3/8	6 15/16	11	1 5/16	1 1/16	28 3/8	13 3/8	32 5/16	1 5/16	9 13/16	5/8	273/267	T100B	99
AF-55AU	4	36 5/8	24 3/4	7 7/16	15 7/8	11 1/16	9 5/8	3 15/16	2 3/4	7 1/16	8 11/16	2	2 3/8	14 15/16	12 3/8	6 15/16	11	1 5/16	1 1/16	28 3/8	13 3/8	32 5/16	1 5/16	9 13/16	5/8	254/251	T100B	99

C.W.L.:Continuous Running Water Level      WT1:Pump Weight(Without Cable)  
 L.W.L.:Lowest Running Water Level            WT2:GRS Set Weight