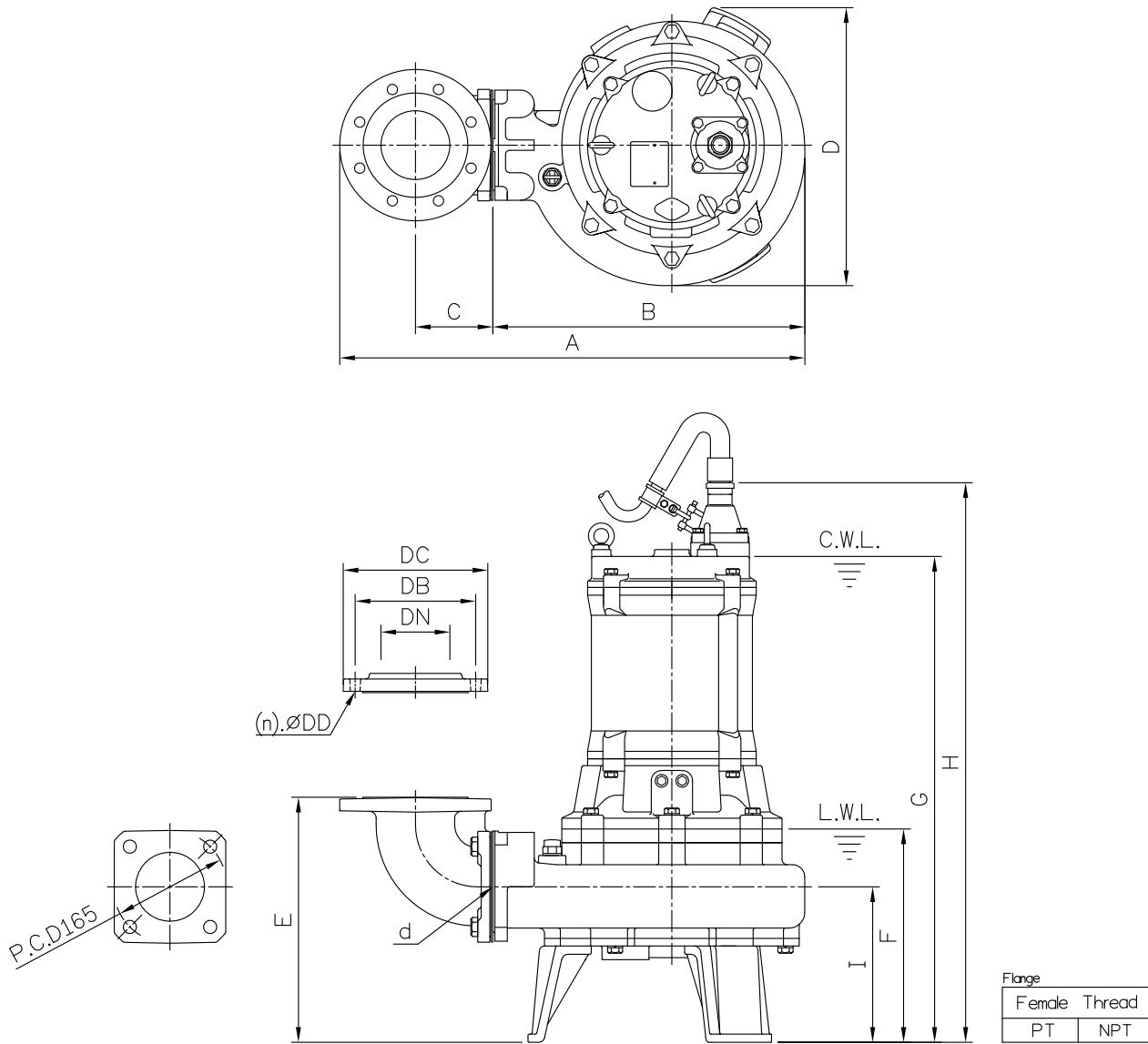


DIMENSIONS

No: S4AFE475030-00

MODEL: AF-75U/75E/415

3Ø



Dimensions-mm

Weight:kg

Model	d	A	B	C	D	E	F	G	H	I	WT1 50Hz/60Hz	Elbow (Flange) Set	DN	DB	DC	DD	(n)QTY	WT2
AF-75U	100	676	453	113	404	356	310	706	813	226	NA/127	EB4-175A	100	175	210	15	8	13
AF-75E	100	676	453	113	404	356	310	706	813	226	138/135	EB4-175A	100	175	210	15	8	13
AF-415	100	676	453	113	404	356	310	706	813	226	NA/148	EB4-175A	100	175	210	15	8	13

Dimensions-inch

Weight:lb

Model	d	A	B	C	D	E	F	G	H	I	WT1 50Hz/60Hz	Elbow (Flange) Set	DN	DB	DC	DD	(n)QTY	WT2
AF-75U	4	26 ⁵ / ₁₆	17 ³ / ₁₆	4 ⁷ / ₁₆	15 ⁵ / ₁₆	14	12 ³ / ₁₆	27 ¹ / ₁₆	32	8 ⁷ / ₁₆	NA/280	EB4-175A	4	6 ³ / ₄	8 ¹ / ₄	1 ⁵ / ₁₆	8	29
AF-75E	4	26 ⁵ / ₁₆	17 ³ / ₁₆	4 ⁷ / ₁₆	15 ⁵ / ₁₆	14	12 ³ / ₁₆	27 ¹ / ₁₆	32	8 ⁷ / ₁₆	304/298	EB4-175A	4	6 ³ / ₄	8 ¹ / ₄	1 ⁵ / ₁₆	8	29
AF-415	4	26 ⁵ / ₁₆	17 ³ / ₁₆	4 ⁷ / ₁₆	15 ⁵ / ₁₆	14	12 ³ / ₁₆	27 ¹ / ₁₆	32	8 ⁷ / ₁₆	NA/326	EB4-175A	4	6 ³ / ₄	8 ¹ / ₄	1 ⁵ / ₁₆	8	29

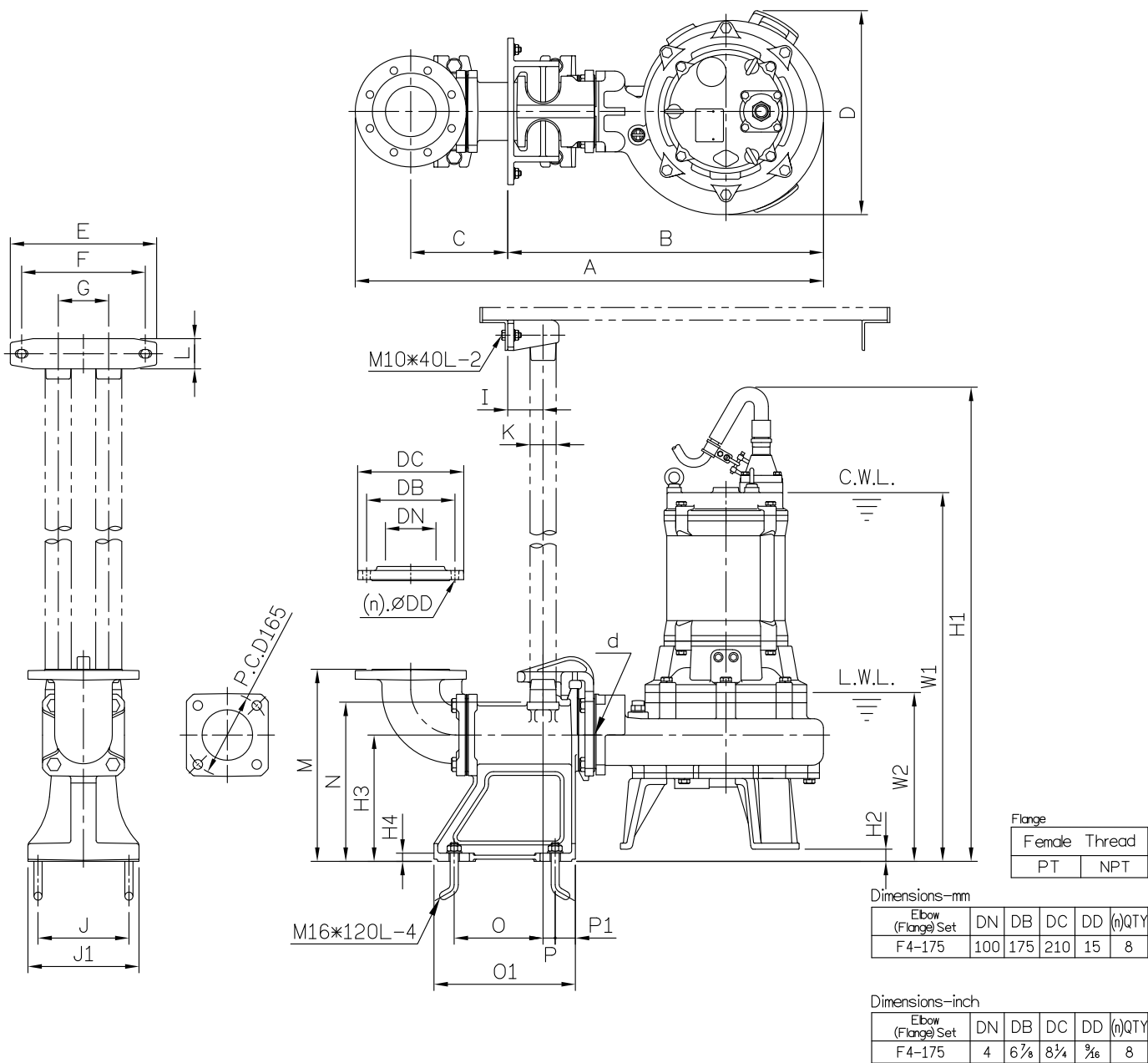
C.W.L.:Continuous Running Water Level WT1:Pump Weight(Without Cable)
L.W.L.:Lowest Running Water Level WT2:Elbow Set Weight

DIMENSIONS

No: S4AFE47503T-00

MODEL: AF-75U/75E/415

3Ø



Dimensions-mm

Weight:kg

Model	d	A	B	C	D	E	F	G	I	J	J1	K	L	M	N	O	O1	P	P1	W1	W2	H1	H2	H3	H4	WT1 50Hz/60Hz	GRS Model	WT2
AF-75U	100	930	628	192	404	290	245	100	70	180	220	2"	60	380	315	176	280	24	40	730	334	939	24	250	16	NA/127	T100B	45
AF-75E	100	930	628	192	404	290	245	100	70	180	220	2"	60	380	315	176	280	24	40	730	334	939	24	250	16	138/135	T100B	45
AF-415	100	930	628	192	404	290	245	100	70	180	220	2"	60	380	315	176	280	24	40	730	334	939	24	250	16	NA/148	T100B	45

Dimensions-inch

Weight:lb

Model	d	A	B	C	D	E	F	G	I	J	J1	K	L	M	N	O	O1	P	P1	W1	W2	H1	H2	H3	H4	WT1 50Hz/60Hz	GRS Model	WT2
AF-75U	4	36 5/8	24 3/4	7 5/16	15 7/8	11 1/16	9 5/8	3 15/16	2 3/4	7 1/8	8 11/16	2	2 3/8	14 15/16	12 3/8	6 15/16	11	1 5/16	1 1/16	28 3/4	13 3/8	36 15/16	1 5/16	9 13/16	5/8	NA/280	T100B	99
AF-75E	4	36 5/8	24 3/4	7 5/16	15 7/8	11 1/16	9 5/8	3 15/16	2 3/4	7 1/8	8 11/16	2	2 3/8	14 15/16	12 3/8	6 15/16	11	1 5/16	1 1/16	28 3/4	13 3/8	36 15/16	1 5/16	9 13/16	5/8	304/298	T100B	99
AF-415	4	36 5/8	24 3/4	7 5/16	15 7/8	11 1/16	9 5/8	3 15/16	2 3/4	7 1/8	8 11/16	2	2 3/8	14 15/16	12 3/8	6 15/16	11	1 5/16	1 1/16	28 3/4	13 3/8	36 15/16	1 5/16	9 13/16	5/8	NA/326	T100B	99

C.W.L.:Continuous Running Water Level WT1:Pump Weight(Without Cable)
L.W.L.:Lowest Running Water Level WT2:GRS Set Weight