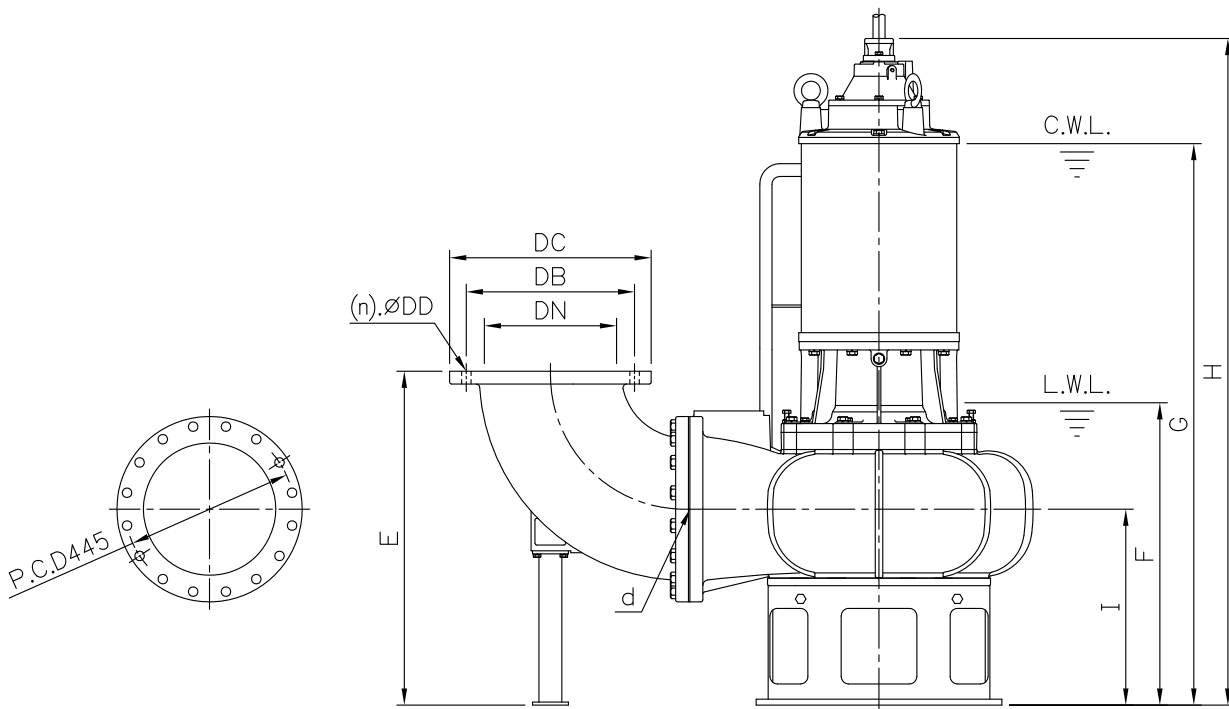
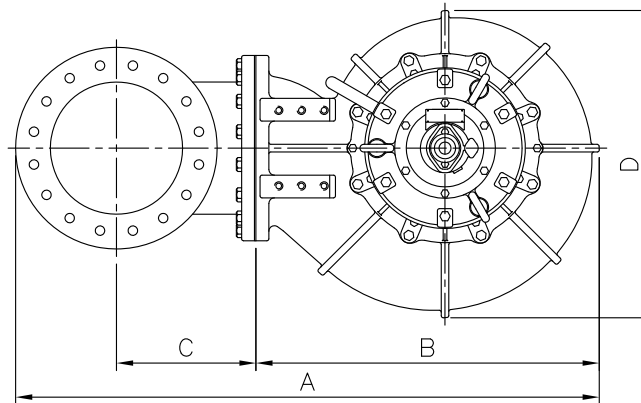


DIMENSIONS

No: SMAF04D5030-00

MODEL: AF-1430/1440/1650/1660

3Ø



Dimensions-mm

Weight:Kg

Model	d	A	B	C	D	E	F	G	H	I	WT1 50Hz/60Hz	Elbow (Flange) Set	DN	DB	DC	DD	(n)QTY	WT2
AF-1430	350	1544	908	369	813	883	800	1485	1763	518	828/833	EB14-445	350	445	533	25	16	146
AF-1440	350	1544	908	369	813	883	800	1485	1763	518	833/828	EB14-445	350	445	533	25	16	146
AF-1650	350	1558	908	369	813	883	800	1485	1763	518	965	EB16-510(445)	350	510	560	25	16	156
AF-1660	350	1558	908	369	813	883	800	1485	1763	518	970	EB16-510(445)	350	510	560	25	16	156

Dimensions-inch

Weight:Lbs

Model	d	A	B	C	D	E	F	G	H	I	WT1 50Hz/60Hz	Elbow (Flange) Set	DN	DB	DC	DD	(n)QTY	WT2
AF-1430	14	60 ³ / ₁₆	35 ³ / ₄	14 ¹ / ₂	32	34 ³ / ₄	31 ¹ / ₂	58 ⁷ / ₁₆	69 ⁷ / ₁₆	20 ³ / ₈	1825/1836	EB14-445	14	17 ¹ / ₂	21	1	16	322
AF-1440	14	60 ³ / ₁₆	35 ³ / ₄	14 ¹ / ₂	32	34 ³ / ₄	31 ¹ / ₂	58 ⁷ / ₁₆	69 ⁷ / ₁₆	20 ³ / ₈	1836/1825	EB14-445	14	17 ¹ / ₂	21	1	16	322
AF-1650	14	61 ¹ / ₁₆	35 ³ / ₄	14 ¹ / ₂	32	34 ³ / ₄	31 ¹ / ₂	58 ⁷ / ₁₆	69 ⁷ / ₁₆	20 ³ / ₈	2127	EB16-510(445)	14	20 ¹ / ₁₆	22 ¹ / ₁₆	1	16	344
AF-1660	14	61 ¹ / ₁₆	35 ³ / ₄	14 ¹ / ₂	32	34 ³ / ₄	31 ¹ / ₂	58 ⁷ / ₁₆	69 ⁷ / ₁₆	20 ³ / ₈	2138	EB16-510(445)	14	20 ¹ / ₁₆	22 ¹ / ₁₆	1	16	344

C.W.L.:Continuous Running Water Level WT1:Pump Weight(Without Cable)
L.W.L.:Lowest Running Water Level WT2:Elbow Set Weight

