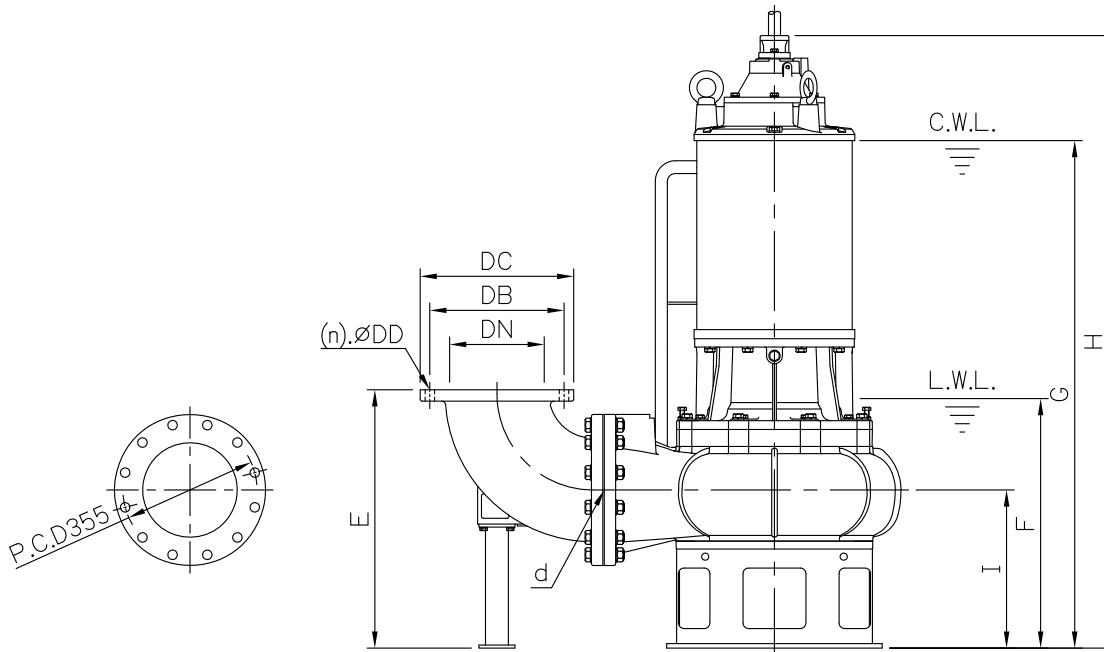
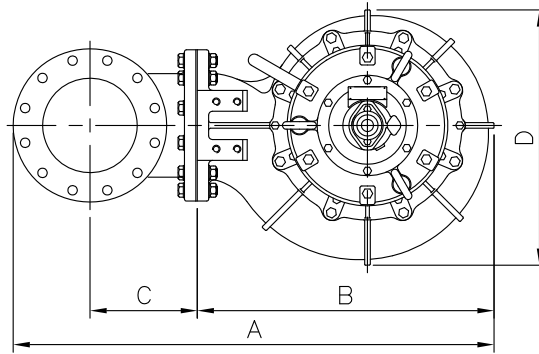


**DIMENSIONS**

**No: SJAF04D5030-00**

**MODEL: AF-1030S/1040/1050/1060**

**3Ø**



Dimensions-mm

Weight:kg

Model	d	A	B	C	D	E	F	G	H	I	WT1 50Hz/60Hz	Elbow (Flange) Set	DN	DB	DC	DD	(n)QTY	WT2
AF-1030S	250	1273	786	284	676	684	660	1342	1621	419	710/705	EB10-355	250	355	406	25	12	79
AF-1040	250	1273	786	284	676	684	660	1342	1621	419	681/676	EB10-355	250	355	406	25	12	79
AF-1050	250	1273	786	284	676	684	660	1342	1621	419	691/686	EB10-355	250	355	406	25	12	79
AF-1060	250	1273	786	284	676	684	660	1342	1621	419	NA/691	EB10-355	250	355	406	25	12	79

Dimensions-inch

Weight:lb

Model	d	A	B	C	D	E	F	G	H	I	WT1 50Hz/60Hz	Elbow (Flange) Set	DN	DB	DC	DD	(n)QTY	WT2
AF-1030S	10	50 <sup>3/8</sup>	30 <sup>15/16</sup>	11 <sup>3/16</sup>	26 <sup>5/16</sup>	26 <sup>15/16</sup>	26	52 <sup>13/16</sup>	63 <sup>13/16</sup>	16 <sup>1/2</sup>	1565/1554	EB10-355	10	14	16	1	12	174
AF-1040	10	50 <sup>3/8</sup>	30 <sup>15/16</sup>	11 <sup>3/16</sup>	26 <sup>5/16</sup>	26 <sup>15/16</sup>	26	52 <sup>13/16</sup>	63 <sup>13/16</sup>	16 <sup>1/2</sup>	1501/1490	EB10-355	10	14	16	1	12	174
AF-1050	10	50 <sup>3/8</sup>	30 <sup>15/16</sup>	11 <sup>3/16</sup>	26 <sup>5/16</sup>	26 <sup>15/16</sup>	26	52 <sup>13/16</sup>	63 <sup>13/16</sup>	16 <sup>1/2</sup>	1523/1512	EB10-355	10	14	16	1	12	174
AF-1060	10	50 <sup>3/8</sup>	30 <sup>15/16</sup>	11 <sup>3/16</sup>	26 <sup>5/16</sup>	26 <sup>15/16</sup>	26	52 <sup>13/16</sup>	63 <sup>13/16</sup>	16 <sup>1/2</sup>	NA/1523	EB10-355	10	14	16	1	12	174

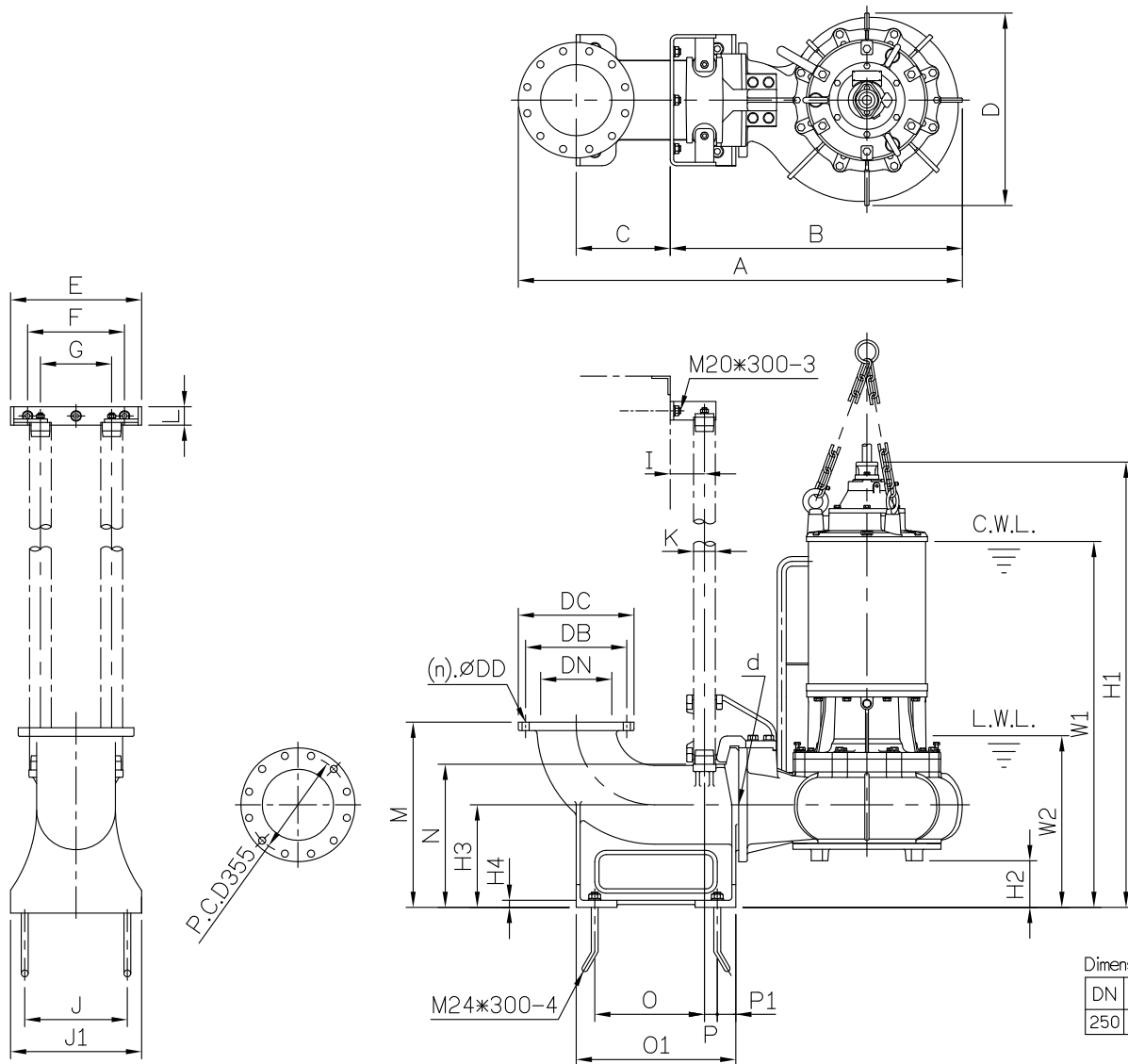
C.W.L.:Continuous Running Water Level WT1:Pump Weight(Without Cable)  
L.W.L.:Lowest Running Water Level WT2:Elbow Set Weight

**DIMENSIONS**

**No: SJAF04D503T-00**

**MODEL: AF-1030S/1040/1050/1060**

**3Ø**



Dimensions-mm

DN	DB	DC	DD	(n)QTY
250	355	406	25	12

Dimensions-inch

DN	DB	DC	DD	(n)QTY
10	14	16	1	12

Dimensions-mm

Model	d	A	B	C	D	E	F	G	I	J	J1	K	L	M	N	O	O1	P	P1	W1	W2	H1	H2	H3	H4	Weight:kg		
																										WT1 50Hz/60Hz	GRS Set	WT2
AF-1030S	250	1558	1025	330	676	460	340	250	120	360	460	2½"	65	650	502	385	560	45	65	1283	602	1562	164	360	25	671/666	T250	218
AF-1040	250	1558	1025	330	676	460	340	250	120	360	460	2½"	65	650	502	385	560	45	65	1283	602	1562	164	360	25	642/637	T250	218
AF-1050	250	1558	1025	330	676	460	340	250	120	360	460	2½"	65	650	502	385	560	45	65	1283	602	1562	164	360	25	652/647	T250	218
AF-1060	250	1558	1025	330	676	460	340	250	120	360	460	2½"	65	650	502	385	560	45	65	1283	602	1562	164	360	25	NA/652	T250	218

Dimensions-inch

Model	d	A	B	C	D	E	F	G	I	J	J1	K	L	M	N	O	O1	P	P1	W1	W2	H1	H2	H3	H4	Weight:lb		
																										WT1 50Hz/60Hz	GRS Set	WT2
AF-1030S	10	61½	40¾	13	26⅝	18⅞	13⅜	9⅞	4¾	14⅞	18⅞	2½	2⅝	25⅞	19¾	15⅞	22⅞	1¾	2⅝	50½	23⅞	61½	6⅞	14⅞	1	1479/1468	T250	481
AF-1040	10	61½	40¾	13	26⅝	18⅞	13⅜	9⅞	4¾	14⅞	18⅞	2½	2⅝	25⅞	19¾	15⅞	22⅞	1¾	2⅝	50½	23⅞	61½	6⅞	14⅞	1	1415/1404	T250	481
AF-1050	10	61½	40¾	13	26⅝	18⅞	13⅜	9⅞	4¾	14⅞	18⅞	2½	2⅝	25⅞	19¾	15⅞	22⅞	1¾	2⅝	50½	23⅞	61½	6⅞	14⅞	1	1437/1426	T250	481
AF-1060	10	61½	40¾	13	26⅝	18⅞	13⅜	9⅞	4¾	14⅞	18⅞	2½	2⅝	25⅞	19¾	15⅞	22⅞	1¾	2⅝	50½	23⅞	61½	6⅞	14⅞	1	NA/1437	T250	481

Remark: Removing strainer before installing connecting with Guide rail system.  
 C.W.L.:Continuous Running Water Level      WT1:Pump Weight(Without Cable)  
 L.W.L.:Lowest Running Water Level      WT2:GRS Set Weight