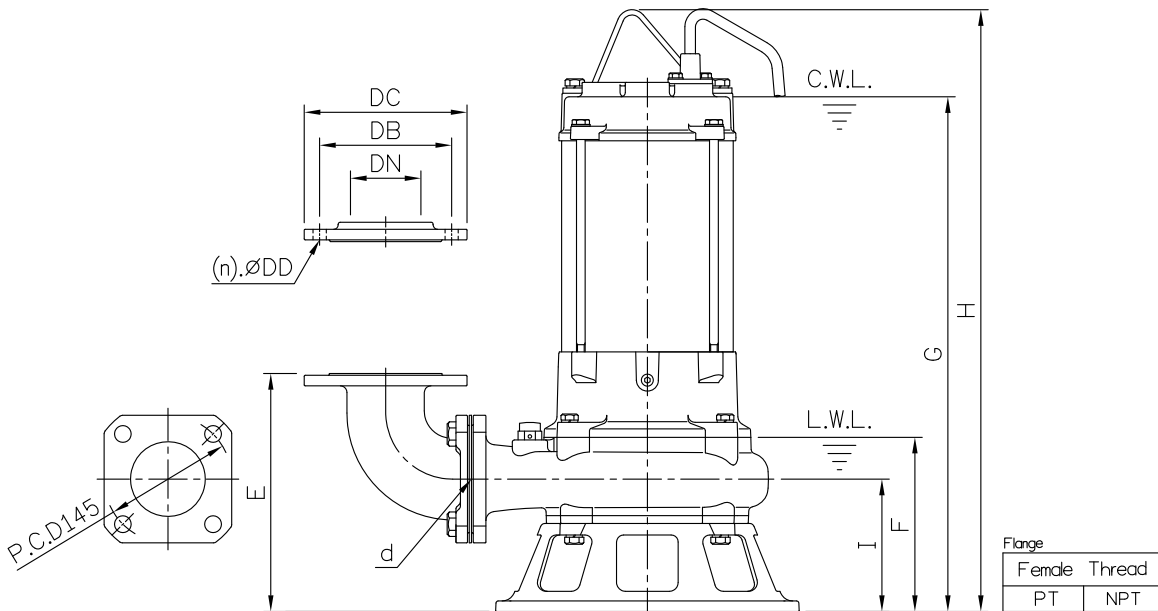
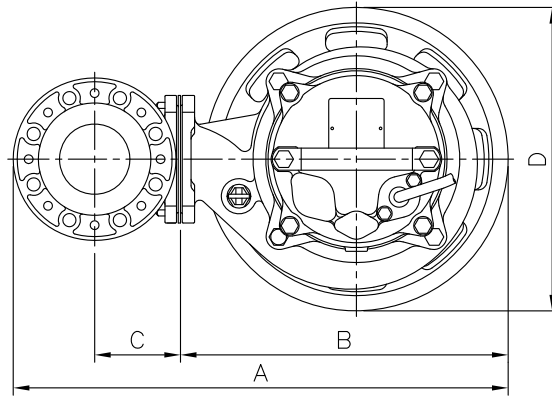


DIMENSIONS

No: S3SFP275030-00

MODEL: 80(100)SFP25.5 & 80(100)SFP27.5

30



Dimensions—mm

Weight:Kg

Model	d	A	B	C	D	E	F	G	H	I	WT1 50Hz/60Hz	Elbow (Flange) Set	DN	DB	DC	DD	(n)QTY	WT2
80(100)SFP25.5	80	563	373	98	345	271	198	585	684	151	67/66	ESB3-150K	80	150	185	15	8	7
80(100)SFP27.5	80	563	373	98	345	271	198	585	684	151	73/72	ESB3-150K	80	150	185	15	8	7
80(100)SFP25.5	80	591	373	113	345	276	198	585	684	151	67/66	ESB4-175(145)K	100	175	210	15	8	10
80(100)SFP27.5	80	591	373	113	345	276	198	585	684	151	73/72	ESB4-175(145)K	100	175	210	15	8	10

Dimensions—inch

Weight:Lbs

Model	d	A	B	C	D	E	F	G	H	I	WT1 50Hz/60Hz	Elbow (Flange) Set	DN	DB	DC	DD	(n)QTY	WT2
80(100)SFP25.5	3	22 ³ / ₁₆	14 ³ / ₁₆	3 ³ / ₁₆	13 ³ / ₁₆	10 ¹ / ₁₆	7 ³ / ₁₆	23 ³ / ₁₆	26 ⁵ / ₁₆	5 ¹ / ₁₆	148/146	ESB3-150K	3	5 ¹ / ₁₆	7 ¹ / ₁₆	3/ ₁₆	8	16
80(100)SFP27.5	3	22 ³ / ₁₆	14 ³ / ₁₆	3 ³ / ₁₆	13 ³ / ₁₆	10 ¹ / ₁₆	7 ³ / ₁₆	23 ³ / ₁₆	26 ⁵ / ₁₆	5 ¹ / ₁₆	161/159	ESB3-150K	3	5 ¹ / ₁₆	7 ¹ / ₁₆	3/ ₁₆	8	16
80(100)SFP25.5	3	23 ³ / ₄	14 ³ / ₁₆	4 ¹ / ₁₆	13 ³ / ₁₆	10 ¹ / ₁₆	7 ³ / ₁₆	23 ³ / ₁₆	26 ⁵ / ₁₆	5 ¹ / ₁₆	148/146	ESB4-175(145)K	4	6 ⁷ / ₁₆	8 ¹ / ₄	3/ ₁₆	8	21
80(100)SFP27.5	3	23 ³ / ₄	14 ³ / ₁₆	4 ¹ / ₁₆	13 ³ / ₁₆	10 ¹ / ₁₆	7 ³ / ₁₆	23 ³ / ₁₆	26 ⁵ / ₁₆	5 ¹ / ₁₆	161/159	ESB4-175(145)K	4	6 ⁷ / ₁₆	8 ¹ / ₄	3/ ₁₆	8	21

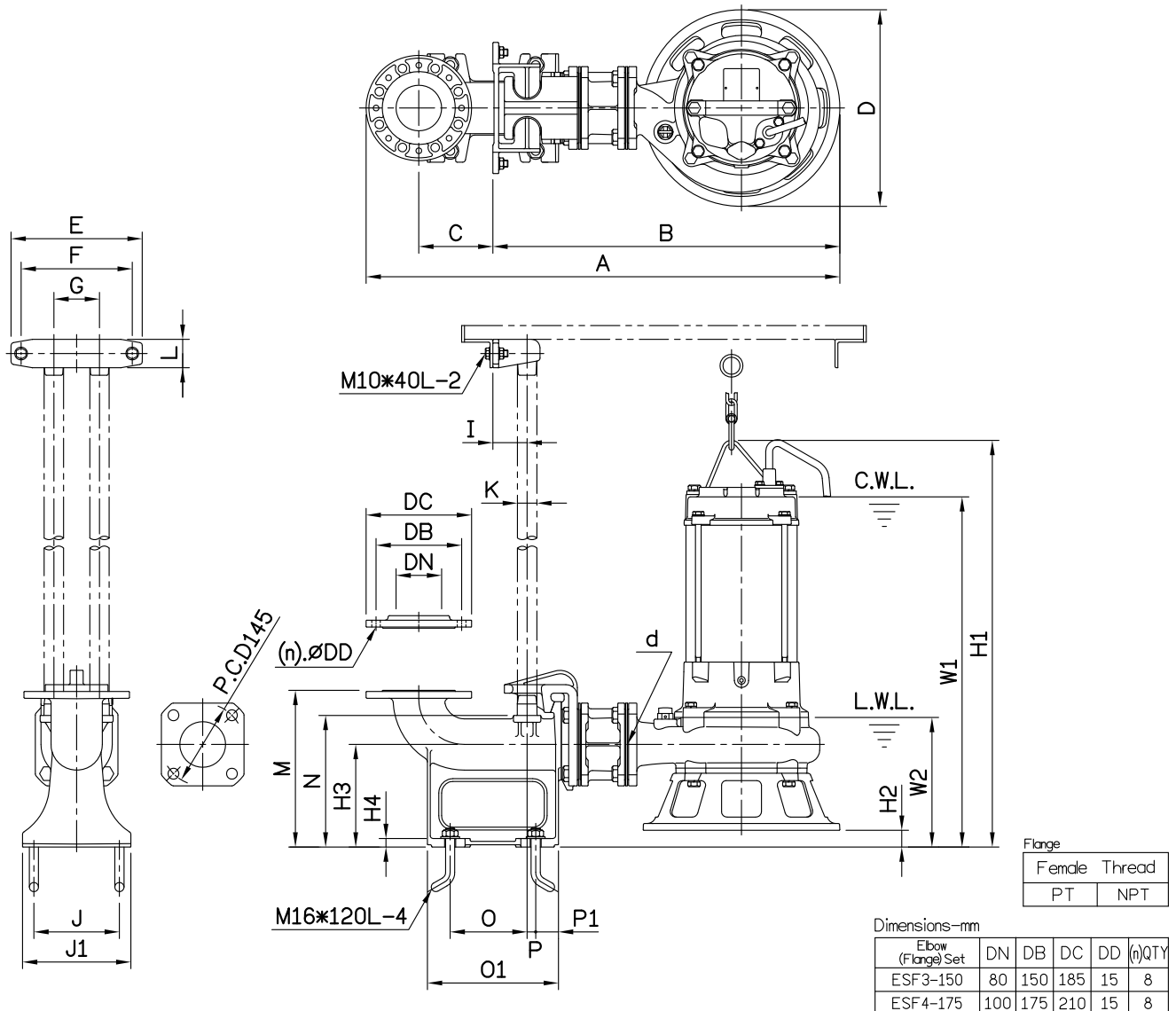
C.W.L.:Continuous Running Water Level WT1:Pump Weight(Without Cable)
L.W.L.:Lowest Running Water Level WT2:Elbow Set Weight

DIMENSIONS

No: S3SFP27503T-00

MODEL: 80(100)SFP25.5 & 80(100)SFP27.5

30



Dimensions—mm

Weight:Kg

Model	d	A	B	C	D	E	F	G	I	J	J1	K	L	M	N	O	O1	P	P1	W1	W2	H1	H2	H3	H4	WT1 50Hz/60Hz	GRS Set	WT2
80(100)SFP25.5	80	832	609	130	345	230	195	80	60	150	190	1 ¹ / ₄	50	275	231	135	230	15	40	615	228	714	30	180	15	67/66	ST80DH	25
80(100)SFP27.5	80	832	609	130	345	230	195	80	60	150	190	1 ¹ / ₄	50	275	231	135	230	15	40	615	228	714	30	180	15	73/72	ST80DH	25
80(100)SFP25.5	80	864	609	150	345	230	195	80	60	170	210	1 ¹ / ₄	50	285	231	155	250	15	40	615	228	714	30	180	15	67/66	ST100(80)BH	28
80(100)SFP27.5	80	864	609	150	345	230	195	80	60	170	210	1 ¹ / ₄	50	285	231	155	250	15	40	615	228	714	30	180	15	73/72	ST100(80)BH	28

Dimensions—inch

Weight:Lbs

Model	d	A	B	C	D	E	F	G	I	J	J1	K	L	M	N	O	O1	P	P1	W1	W2	H1	H2	H3	H4	WT1 50Hz/60Hz	GRS Set	WT2
80(100)SFP25.5	3	32 ³ / ₄	24	5 ¹ / ₈	13 ³ / ₁₆	9 ¹ / ₁₆	7 ¹ / ₁₆	3 ³ / ₈	2 ³ / ₈	5 ⁵ / ₁₆	7 ¹ / ₂	1 ¹ / ₄	2	10 ¹³ / ₁₆	9 ¹ / ₈	5 ¹ / ₁₆	9 ¹ / ₁₆	¹ / ₁₆	1 ¹ / ₁₆	24 ³ / ₁₆	9	28 ¹ / ₂	1 ³ / ₁₆	7 ¹ / ₁₆	⁹ / ₁₆	148/146	ST80DH	55
80(100)SFP27.5	3	32 ³ / ₄	24	5 ¹ / ₈	13 ³ / ₁₆	9 ¹ / ₁₆	7 ¹ / ₁₆	3 ³ / ₈	2 ³ / ₈	5 ⁵ / ₁₆	7 ¹ / ₂	1 ¹ / ₄	2	10 ¹³ / ₁₆	9 ¹ / ₈	5 ¹ / ₁₆	9 ¹ / ₁₆	¹ / ₁₆	1 ¹ / ₁₆	24 ³ / ₁₆	9	28 ¹ / ₂	1 ³ / ₁₆	7 ¹ / ₁₆	⁹ / ₁₆	161/159	ST80DH	55
80(100)SFP25.5	3	34	24	5 ¹⁵ / ₁₆	13 ³ / ₁₆	9 ¹ / ₁₆	7 ¹ / ₁₆	3 ³ / ₈	2 ³ / ₈	6 ¹ / ₁₆	8 ¹ / ₄	1 ¹ / ₄	2	11 ¹ / ₄	9 ¹ / ₈	6 ¹ / ₁₆	9 ¹³ / ₁₆	¹ / ₁₆	1 ¹ / ₁₆	24 ³ / ₁₆	9	28 ¹ / ₂	1 ³ / ₁₆	7 ¹ / ₁₆	⁹ / ₁₆	148/146	ST100(80)BH	62
80(100)SFP27.5	3	34	24	5 ¹⁵ / ₁₆	13 ³ / ₁₆	9 ¹ / ₁₆	7 ¹ / ₁₆	3 ³ / ₈	2 ³ / ₈	6 ¹ / ₁₆	8 ¹ / ₄	1 ¹ / ₄	2	11 ¹ / ₄	9 ¹ / ₈	6 ¹ / ₁₆	9 ¹³ / ₁₆	¹ / ₁₆	1 ¹ / ₁₆	24 ³ / ₁₆	9	28 ¹ / ₂	1 ³ / ₁₆	7 ¹ / ₁₆	⁹ / ₁₆	161/159	ST100(80)BH	62

C.W.L.:Continuous Running Water Level WT1:Pump Weight(Without Cable)
L.W.L.:Lowest Running Water Level WT2:GRS Set Weight