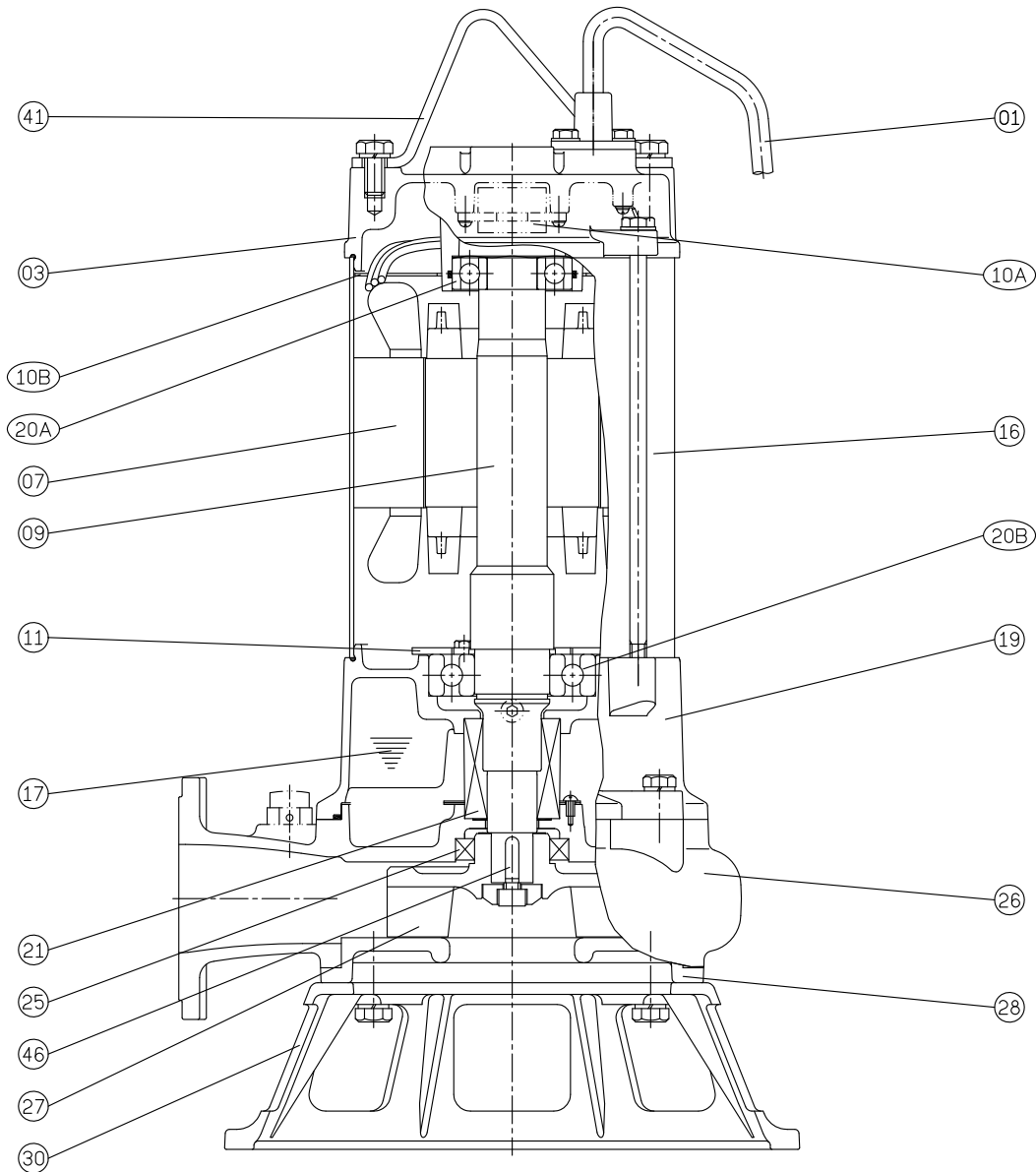


MODEL: 80(100)SFP25.5 3 ∅



No.	Part name	Material	QTY	Remark
01	Cable		1	
03	Upper cover	SCS14	1	
07	Stator		1	
09	Shaft(with Rotor)	SUS403+316	1	
10A	Auto-cut		1	
10B	Auto-cut plate		1	
11	Bearing fixer	SS400	1	
16	Motor frame	SUS304-2B	1	
17	Lubricant	APAR PHARMA 32	1	
19	Bearing bracket	SCS14	1	
20A	Upper bearing		1	
20B	Lower bearing		1	
21	M. seal	CA VS CE SIC VS SIC	1	

No.	Part name	Material	QTY	Remark
25	Oil seal	304+NBR	1	
26	Casing	SCS14	1	
27	Impeller	SCS14	1	
28	Casing cover	SCS14	1	
30	Footing	SCS14	1	
41	Handle	SUS304	1	
46	Impeller key	SUS304	1	