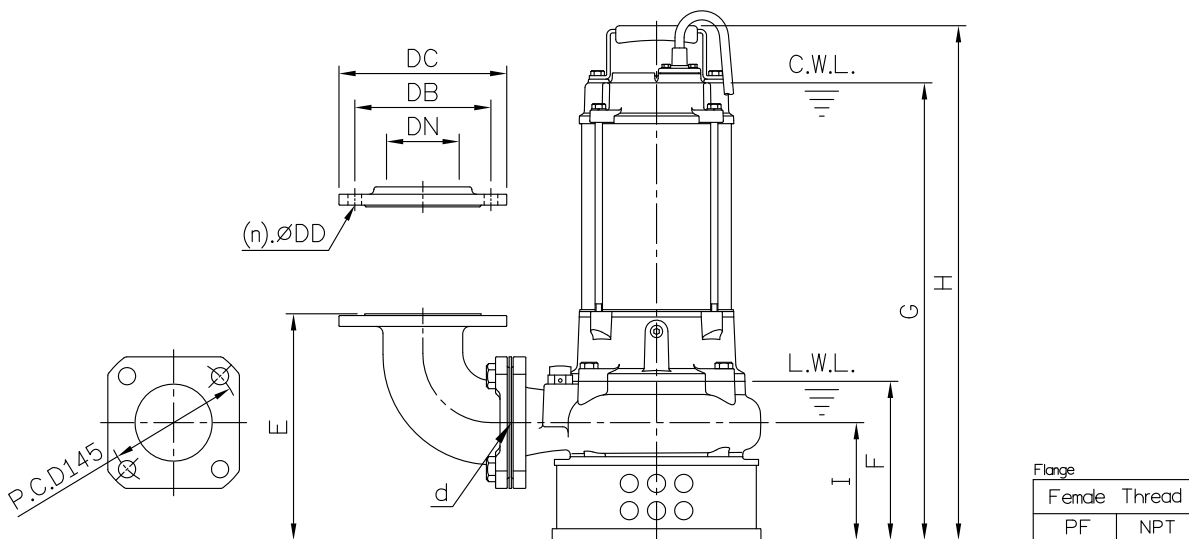
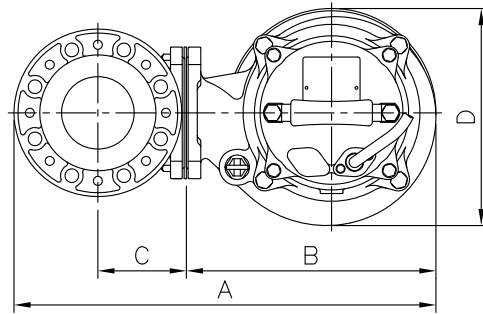


DIMENSIONS

No: S3SA0237030-00

MODEL: 80SA23.7

3Ø



Dimensions-mm

Weight:Kg

Model	d	A	B	C	D	E	F	G	H	I	WT1 50Hz/60Hz	Elbow (Flange) Set	DN	DB	DC	DD	(n)QTY	WT2
80SA23.7	80	465	275	98	239	250	176	505	568	130	45/44	ESB3-150K	80	150	185	15	8	7

Dimensions-inch

Weight:Lbs

Model	d	A	B	C	D	E	F	G	H	I	WT1 50Hz/60Hz	Elbow (Flange) Set	DN	DB	DC	DD	(n)QTY	WT2
80SA23.7	3	18 ⁵ / ₁₆	10 ¹³ / ₁₆	3 ⁷ / ₈	9 ⁷ / ₁₆	9 ¹³ / ₁₆	6 ¹⁵ / ₁₆	19 ⁷ / ₁₆	22 ³ / ₈	5 ¹ / ₈	99/97	ESB3-150K	3	5 ¹⁵ / ₁₆	7 ⁵ / ₁₆	⁹ / ₁₆	8	16

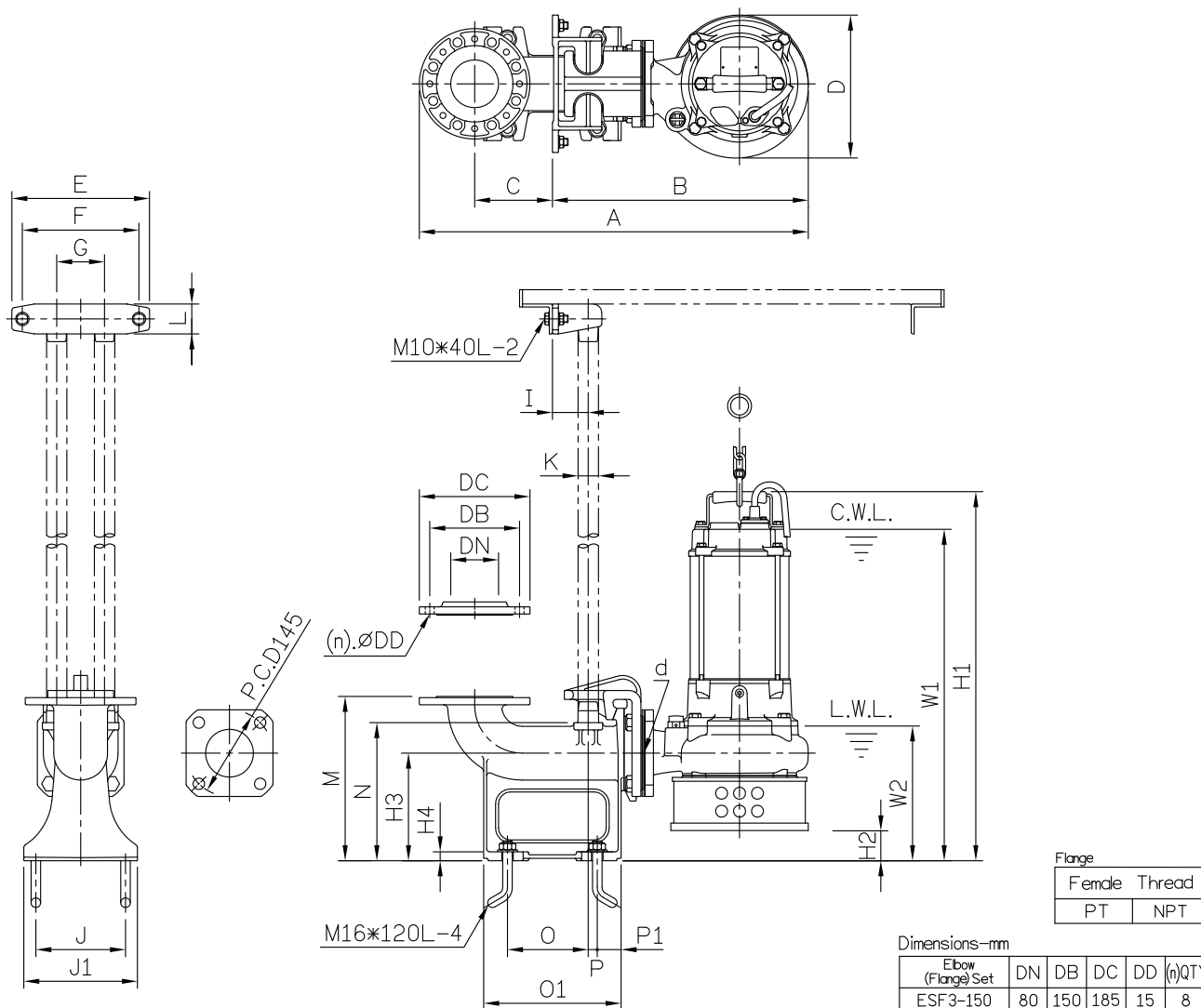
C.W.L.:Continuous Running Water Level WT1:Pump Weight(Without Cable)
L.W.L.:Lowest Running Water Level WT2:Elbow Set Weight

DIMENSIONS

No: S3SA023703T-00

MODEL: 80SA23.7

3Ø



Flange	
Female	Thread
PT	NPT
Dimensions-mm	
Elbow (Flange) Set	DN DB DC DD (n)QTY
ESF3-150	80 150 185 15 8

Dimensions-inch	
Elbow (Flange) Set	DN DB DC DD (n)QTY
ESF3-150	3 5 ¹³ / ₁₆ 7 ⁵ / ₁₆ 9 ¹ / ₁₆ 8

Dimensions-mm

Model	d	A	B	C	D	E	F	G	I	J	J1	K	L	M	N	O	O1	P	P1	W1	W2	H1	H2	H3	H4	Weight:Kg		
																										WT1 50Hz/60Hz	GRS Set WT2	
80SA23.7	80	681	458	130	290	230	195	80	60	150	190	1 ¹ / ₄	50	275	231	135	230	15	40	555	226	618	50	180	15	45/44	ST80D	22

Dimensions-inch

Model	d	A	B	C	D	E	F	G	I	J	J1	K	L	M	N	O	O1	P	P1	W1	W2	H1	H2	H3	H4	Weight:Lbs	
																										WT1 50Hz/60Hz	GRS Set WT2
80SA23.7	3	26 ³ / ₁₆	18 ¹ / ₁₆	5 ¹ / ₁₆	11 ¹ / ₁₆	9 ¹ / ₁₆	7 ¹¹ / ₁₆	3 ³ / ₁₆	2 ³ / ₁₆	5 ¹⁵ / ₁₆	7 ⁷ / ₁₆	1 ¹ / ₄	2	10 ³ / ₁₆	9 ¹ / ₁₆	5 ⁵ / ₁₆	9 ¹ / ₁₆	1 ¹ / ₁₆	21 ¹ / ₁₆	8 ⁷ / ₁₆	24 ⁵ / ₁₆	1 ¹⁵ / ₁₆	7 ¹ / ₁₆	9 ¹ / ₁₆	99/97	ST80D	49

C.W.L.:Continuous Running Water Level WT1:Pump Weight(Without Cable)
 L.W.L.:Lowest Running Water Level WT2:GRS Set Weight