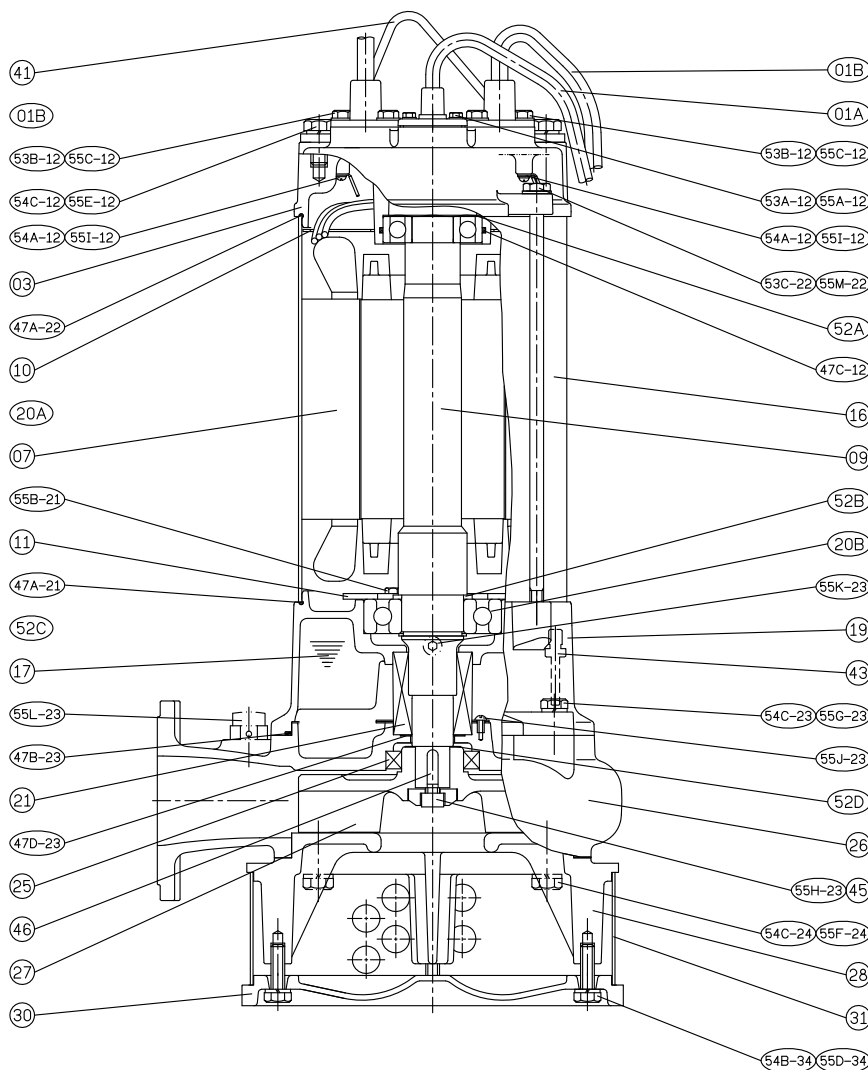


SECTIONAL VIEWS

No: 03SA02A1030-00

MODEL: 80(100)SA211

3Ø



No.	Part name	Material	QTY	Remark
01	Cable		3	
03	Upper cover	SCS14	1	
07	Stator		1	
09	Shaft end	SUS630	1	
10	Auto-cut plate		1	
11	Bearing fixer	SS400	1	
16	Motor frame	SUS316	1	
17	Lubricant			
19	Bearing bracket	SCS14	1	
20A	Bearing		1	
20B	Bearing		1	
21	M.seal	CA / CE & SIC / SiC	1	
25	Oil seal	NBR	1	

No.	Part name	Material	QTY	Remark
26	Casing	SCS14	1	
27	Impeller	SCS14	1	
28	Casing cover	SCS14	1	
30	Footing	SCS14	1	
31	Strainer	SUS316	1	
41	Handle	SUS304	1	
43	Moisture sensor		1	
46	Impeller key	SUS304	1	
47	Packing			