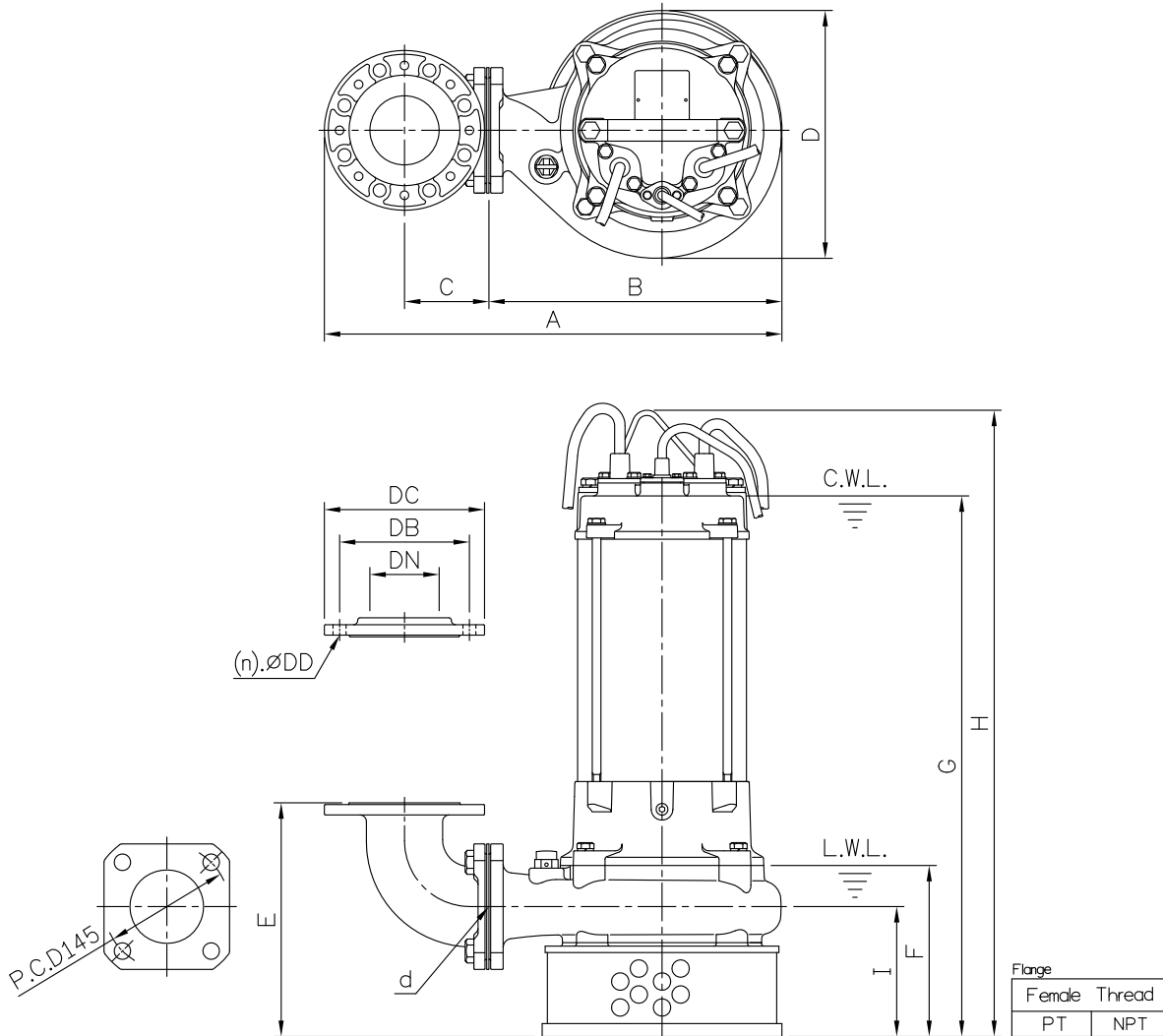


DIMENSIONS

No: S3SA02A1030-00

MODEL: 80(100)SA211

3Ø



Dimensions-mm

Weight:Kg

Model	d	A	B	C	D	E	F	G	H	I	WT1 50Hz/60Hz	Elbow (Flange) Set	DN	DB	DC	DD	(n)QTY	WT2
80(100)SA211	80	528	338	98	286	271	198	625	724	151	82/81	ESB3-150K	80	150	185	15	8	7
80(100)SA211	80	556	338	113	286	276	198	625	724	151	82/81	ESB4-175(145)K	100	175	210	15	8	10

Dimensions-inch

Weight:Lbs

Model	d	A	B	C	D	E	F	G	H	I	WT1 50Hz/60Hz	Elbow (Flange) Set	DN	DB	DC	DD	(n)QTY	WT2
80(100)SA211	3	20 ⁷ / ₁₆	13 ³ / ₁₆	3 ⁷ / ₈	11 ¹ / ₄	10 ⁷ / ₁₆	7 ⁷ / ₈	24 ³ / ₈	28 ¹ / ₂	5 ⁵ / ₁₆	181/179	ESB3-150K	3	5 ¹⁵ / ₁₆	7 ⁷ / ₁₆	3 ¹ / ₈	8	16
80(100)SA211	3	21 ⁷ / ₈	13 ³ / ₁₆	4 ¹ / ₁₆	11 ¹ / ₄	10 ⁷ / ₁₆	7 ⁷ / ₈	24 ³ / ₈	28 ¹ / ₂	5 ¹⁵ / ₁₆	181/179	ESB4-175(145)K	4	6 ⁷ / ₈	8 ¹ / ₄	3 ¹ / ₈	8	21

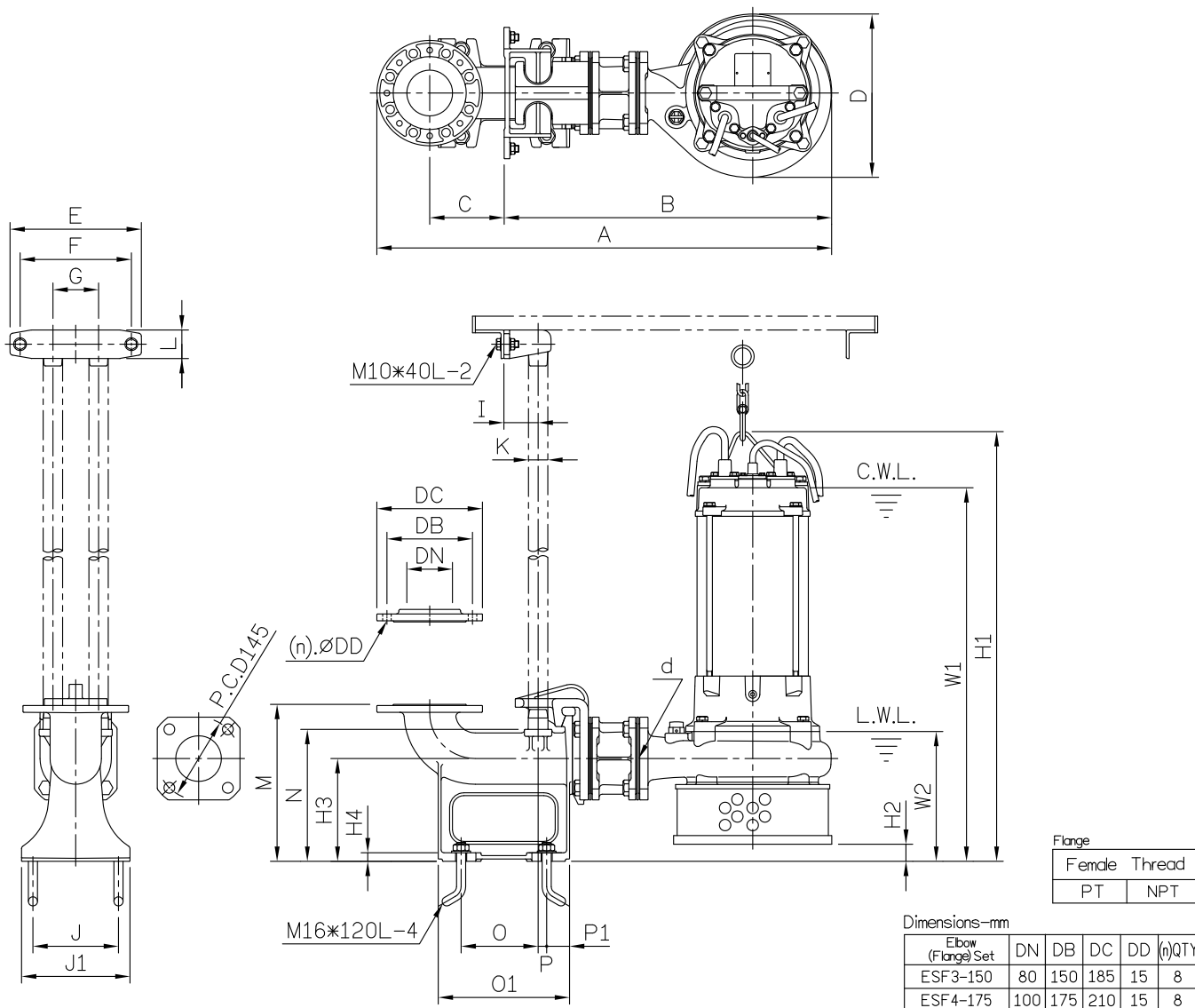
C.W.L.:Continuous Running Water Level WT1:Pump Weight(Without Cable)
L.W.L.:Lowest Running Water Level WT2:Elbow Set Weight

DIMENSIONS

No: S3SA02A103T-00

MODEL: 80(100)SA211

3Ø



Flange	
Female	Thread
PT	NPT

Dimensions-mm

Elbow (Flange) Set	DN	DB	DC	DD	(n)QTY
ESF3-150	80	150	185	15	8
ESF4-175	100	175	210	15	8

Dimensions-inch

Elbow (Flange) Set	DN	DB	DC	DD	(n)QTY
ESF3-150	3	5 ¹⁵ / ₁₆	7 ⁵ / ₁₆	9 ¹ / ₁₆	8
ESF4-175	4	6 ⁷ / ₁₆	8 ¹ / ₄	9 ¹ / ₁₆	8

Dimensions-mm

Model	d	A	B	C	D	E	F	G	I	J	J1	K	L	M	N	O	O1	P	P1	W1	W2	H1	H2	H3	H4	Weight:kg		
																										WT1 50Hz/60Hz	GRS Set	WT2
80(100)SA211	80	797	574	130	286	230	195	80	60	150	190	1 ¹ / ₄	50	275	231	135	230	15	40	655	228	754	30	180	15	82/81	ST80DH	25
80(100)SA211	80	829	574	150	286	230	195	80	60	170	210	1 ¹ / ₄	50	285	231	155	250	15	40	655	228	754	30	180	15	82/81	ST100(80)BH	28

Dimensions-inch

Model	d	A	B	C	D	E	F	G	I	J	J1	K	L	M	N	O	O1	P	P1	W1	W2	H1	H2	H3	H4	Weight:lb		
																										WT1 50Hz/60Hz	GRS Set	WT2
80(100)SA211	3	31 ³ / ₈	22 ⁵ / ₈	5 ¹ / ₈	11 ¹ / ₄	9 ¹ / ₈	7 ⁷ / ₈	3 ³ / ₈	2 ³ / ₈	5 ⁵ / ₈	7 ¹ / ₂	1 ¹ / ₄	2	10 ³ / ₈	9 ¹ / ₈	5 ⁵ / ₈	9 ¹ / ₈	9 ¹ / ₁₆	1 ¹ / ₁₆	25 ³ / ₈	9	29 ¹ / ₈	1 ³ / ₈	7 ⁷ / ₈	9 ¹ / ₁₆	181/179	ST80DH	55
80(100)SA211	3	32 ⁵ / ₈	22 ⁵ / ₈	5 ¹⁵ / ₁₆	11 ¹ / ₄	9 ¹ / ₈	7 ⁷ / ₈	3 ³ / ₈	2 ³ / ₈	6 ¹ / ₈	8 ¹ / ₄	1 ¹ / ₄	2	11 ¹ / ₄	9 ¹ / ₈	6 ⁷ / ₈	9 ¹³ / ₁₆	9 ¹ / ₁₆	1 ¹ / ₁₆	25 ³ / ₈	9	29 ¹ / ₈	1 ³ / ₈	7 ⁷ / ₈	9 ¹ / ₁₆	181/179	ST100(80)BH	62

C.W.L.:Continuous Running Water Level WT1:Pump Weight(Without Cable)
 L.W.L.:Lowest Running Water Level WT2:GRS Set Weight