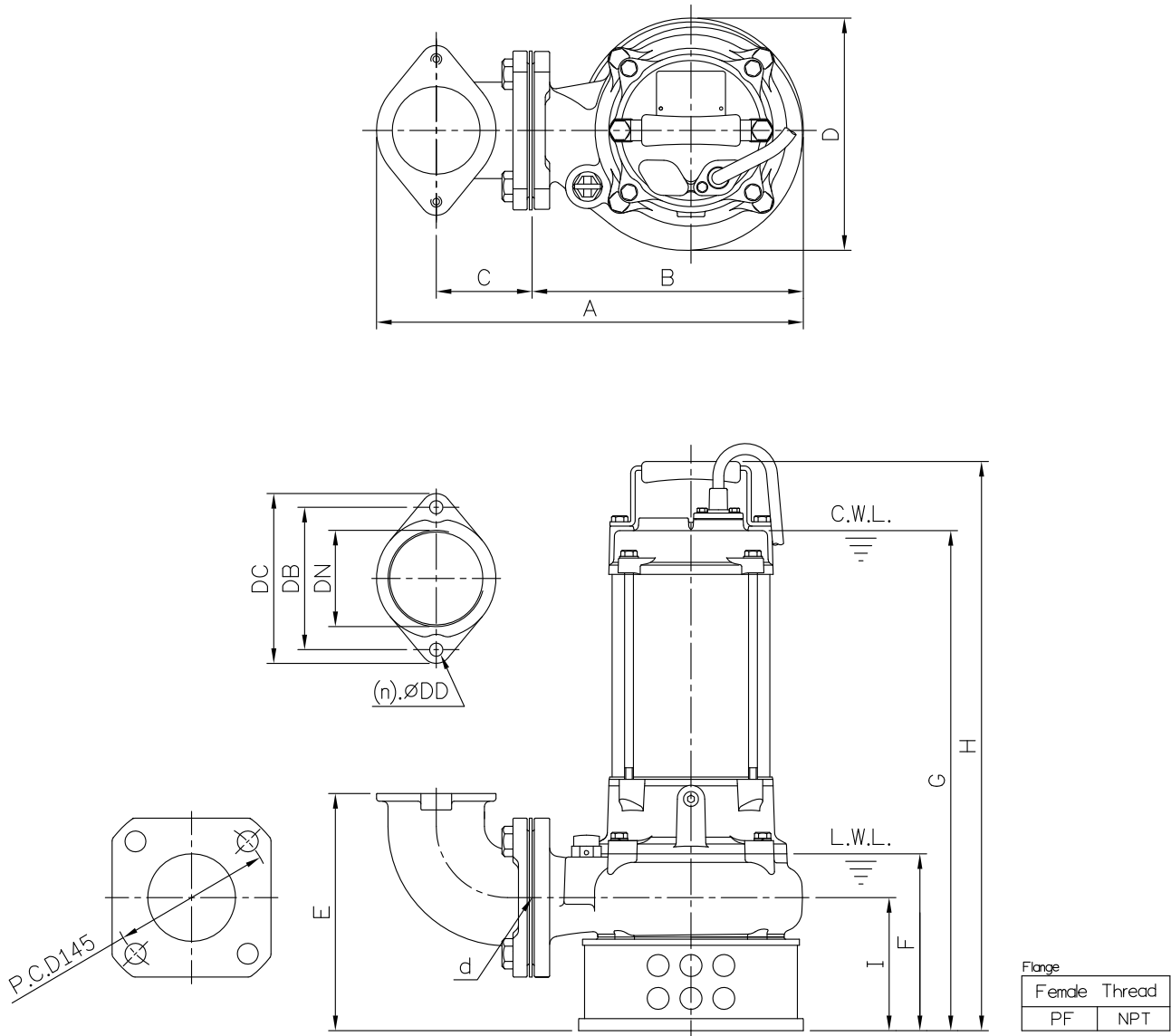


DIMENSIONS

No: S3SA0222030-00

MODEL: 80SA21.5 & 80SA22.2

3Ø



Dimensions-mm

Weight:kg

Model	d	A	B	C	D	E	F	G	H	I	WT1 50Hz/60Hz	Elbow (Flange) Set	DN	DB	DC	DD	(n)QTY	WT2
80SA21.5	80	390	248	88	212	217	162	457	520	122	30/29	ESB3-130K	80	130	155	12	2	4
80SA22.2	80	390	248	88	212	217	162	457	520	122	33/32	ESB3-130K	80	130	155	12	2	4

Dimensions-inch

Weight:lb

Model	d	A	B	C	D	E	F	G	H	I	WT1 50Hz/60Hz	Elbow (Flange) Set	DN	DB	DC	DD	(n)QTY	WT2
80SA21.5	3	15 ³ / ₈	9 ³ / ₄	3 ⁷ / ₁₆	8 ³ / ₈	8 ⁹ / ₁₆	6 ³ / ₈	18	20 ¹ / ₂	4 ¹³ / ₁₆	66/64	ESB3-130K	3	5 ¹ / ₈	6 ¹ / ₈	1/2	2	9
80SA22.2	3	15 ³ / ₈	9 ³ / ₄	3 ⁷ / ₁₆	8 ³ / ₈	8 ⁹ / ₁₆	6 ³ / ₈	18	20 ¹ / ₂	4 ¹³ / ₁₆	73/71	ESB3-130K	3	5 ¹ / ₈	6 ¹ / ₈	1/2	2	9

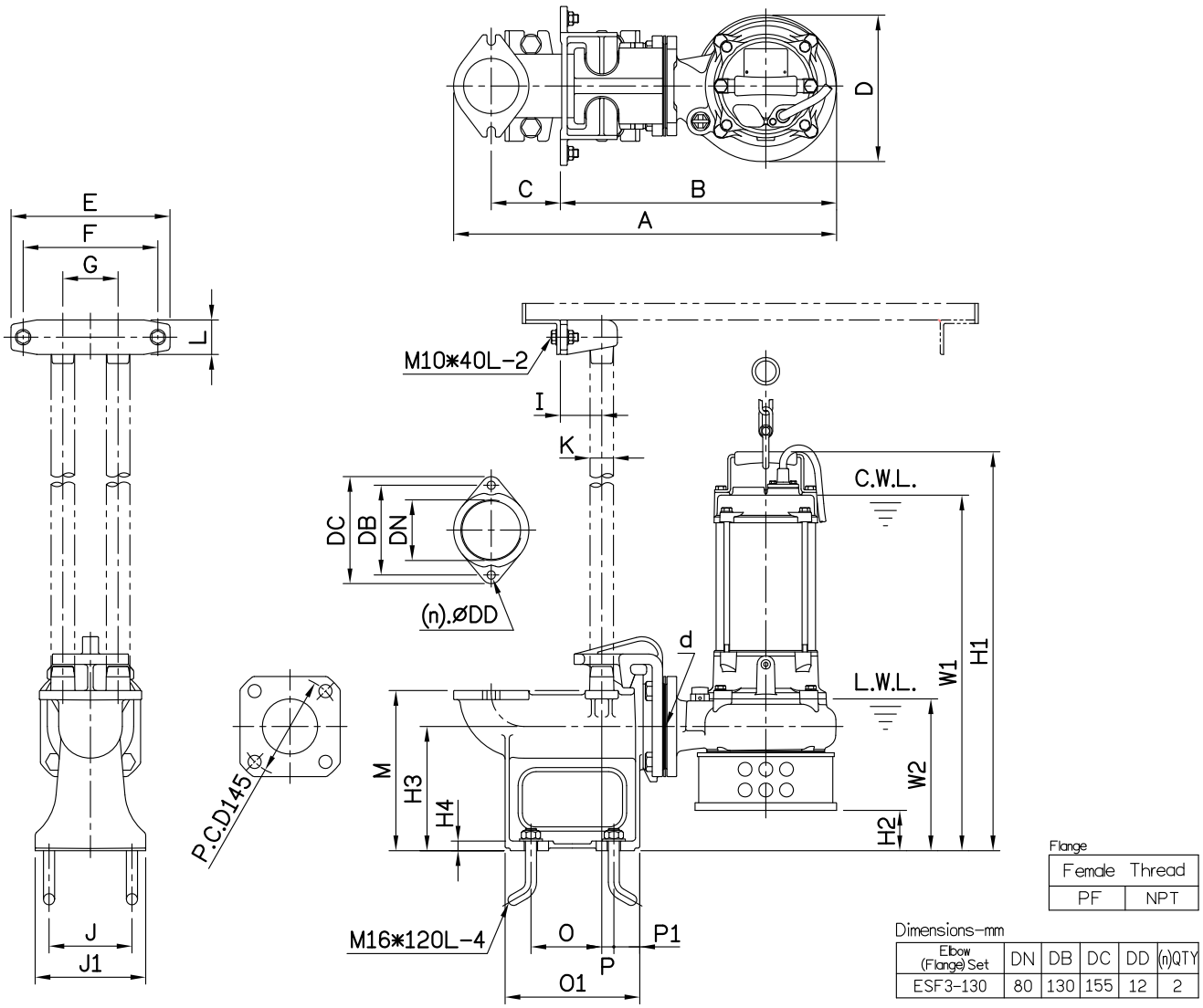
C.W.L.:Continuous Running Water Level WT1:Pump Weight(Without Cable)
L.W.L.:Lowest Running Water Level WT2:Elbow Set Weight

DIMENSIONS

No: S3SA022203T-00

MODEL: 80SA21.5 & 80SA22.2

3Ø



Flange	
Female Thread	
PF	NPT

Dimensions-mm									
Elbow (Flange) Set	DN	DB	DC	DD	(n)QTY				
ESF3-130	80	130	155	12	2				

Dimensions-inch									
Elbow (Flange) Set	DN	DB	DC	DD	(n)QTY				
ESF3-130	3	5 1/8	6 1/8	1/2	2				

Dimensions-mm

Weight:kg

Model	d	A	B	C	D	E	F	G	I	J	J1	K	L	M	O	O1	P	P1	W1	W2	H1	H2	H3	H4	WT1 50Hz/60Hz	GRS Set	WT2
80SA21.5	80	555	400	100	212	230	195	80	60	120	160	1 1/4	50	232	103	195	18	38	515	220	578	59	180	14	30/29	ST2-80	19
80SA22.2	80	555	400	100	212	230	195	80	60	120	160	1 1/4	50	232	103	195	18	38	515	220	578	59	180	14	33/32	ST2-80	19

Dimensions-inch

Weight:lb

Model	d	A	B	C	D	E	F	G	I	J	J1	K	L	M	O	O1	P	P1	W1	W2	H1	H2	H3	H4	WT1 50Hz/60Hz	GRS Set	WT2
80SA21.5	3	21 7/8	15 3/4	3 15/16	8 3/8	9 1/16	7 11/16	3 1/8	2 3/8	4 3/4	6 5/16	1 1/4	2	9 1/8	4 1/16	7 11/16	1 1/8	1 1/2	20 3/4	8 11/16	22 3/4	2 5/16	7 1/16	9/16	66/64	ST2-80	42
80SA22.2	3	21 7/8	15 3/4	3 15/16	8 3/8	9 1/16	7 11/16	3 1/8	2 3/8	4 3/4	6 5/16	1 1/4	2	9 1/8	4 1/16	7 11/16	1 1/8	1 1/2	20 3/4	8 11/16	22 3/4	2 5/16	7 1/16	9/16	73/71	ST2-80	42

C.W.L.:Continuous Running Water Level WT1:Pump Weight(Without Cable)
 L.W.L.:Lowest Running Water Level WT2:GRS Set Weight