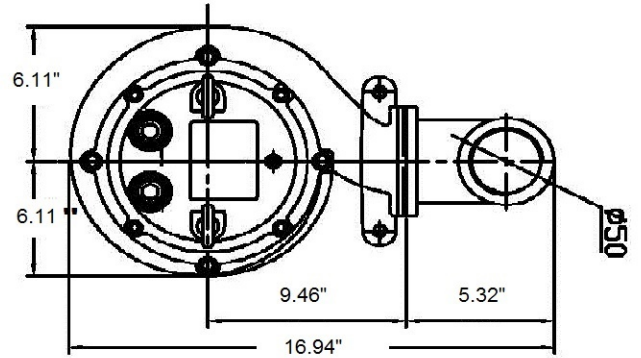
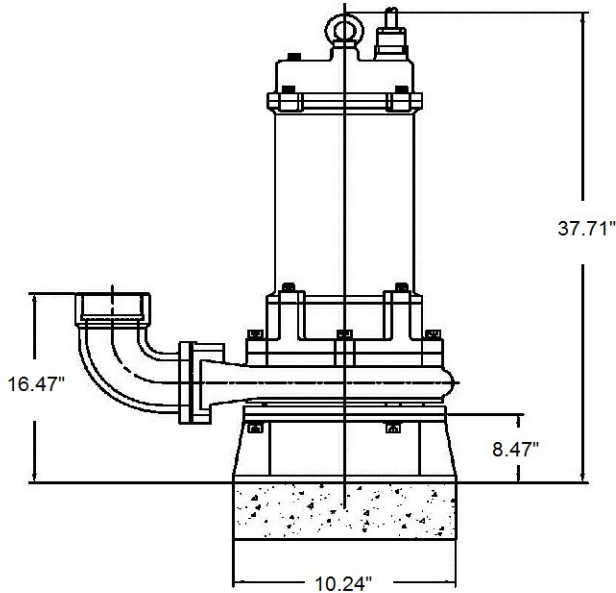
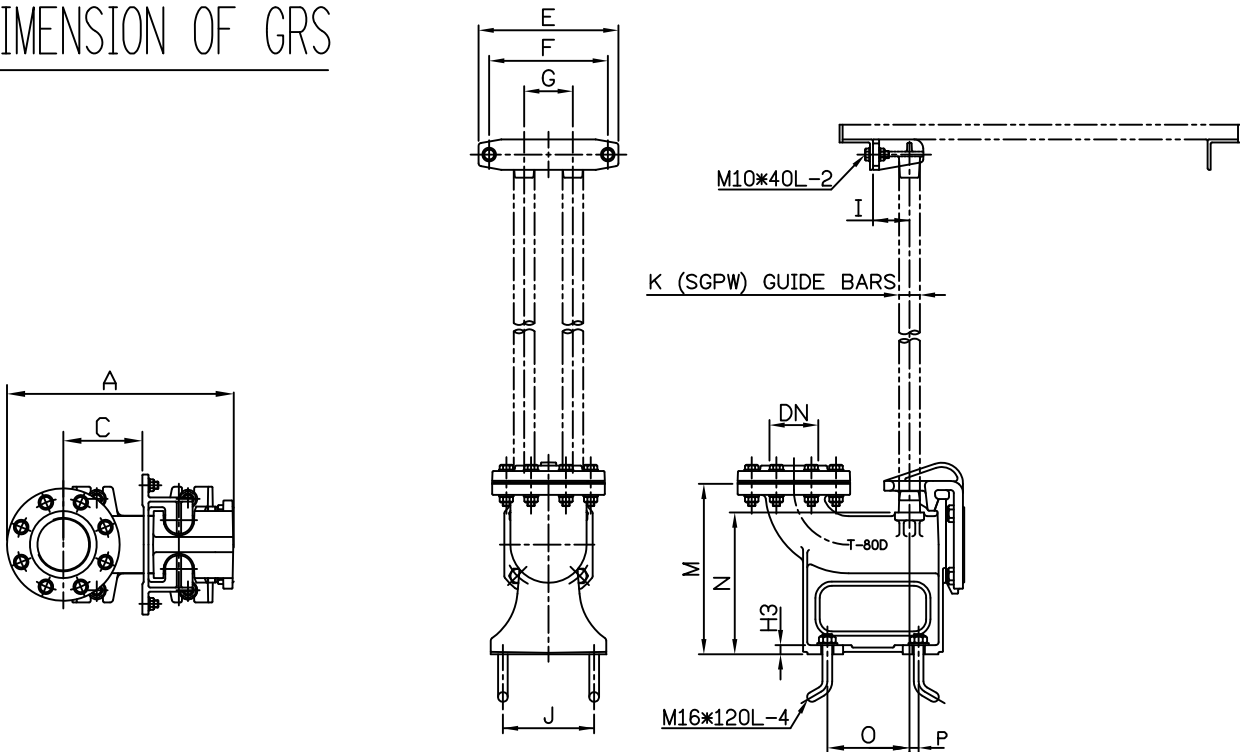


MODEL: GF27.5-2H/M

DIMENSION OF PUMP



DIMENSION OF GRS



(inches)

Model	DN	A	B	C	D	E	F	G	I	J	K	M	N	O	P	W1	W2	H1	H2	H3	
T80D	3.15	14.7		5.12		9.1	7.7	3.15	2.4	5.9	0.5	11	9.2	5.3	.6						