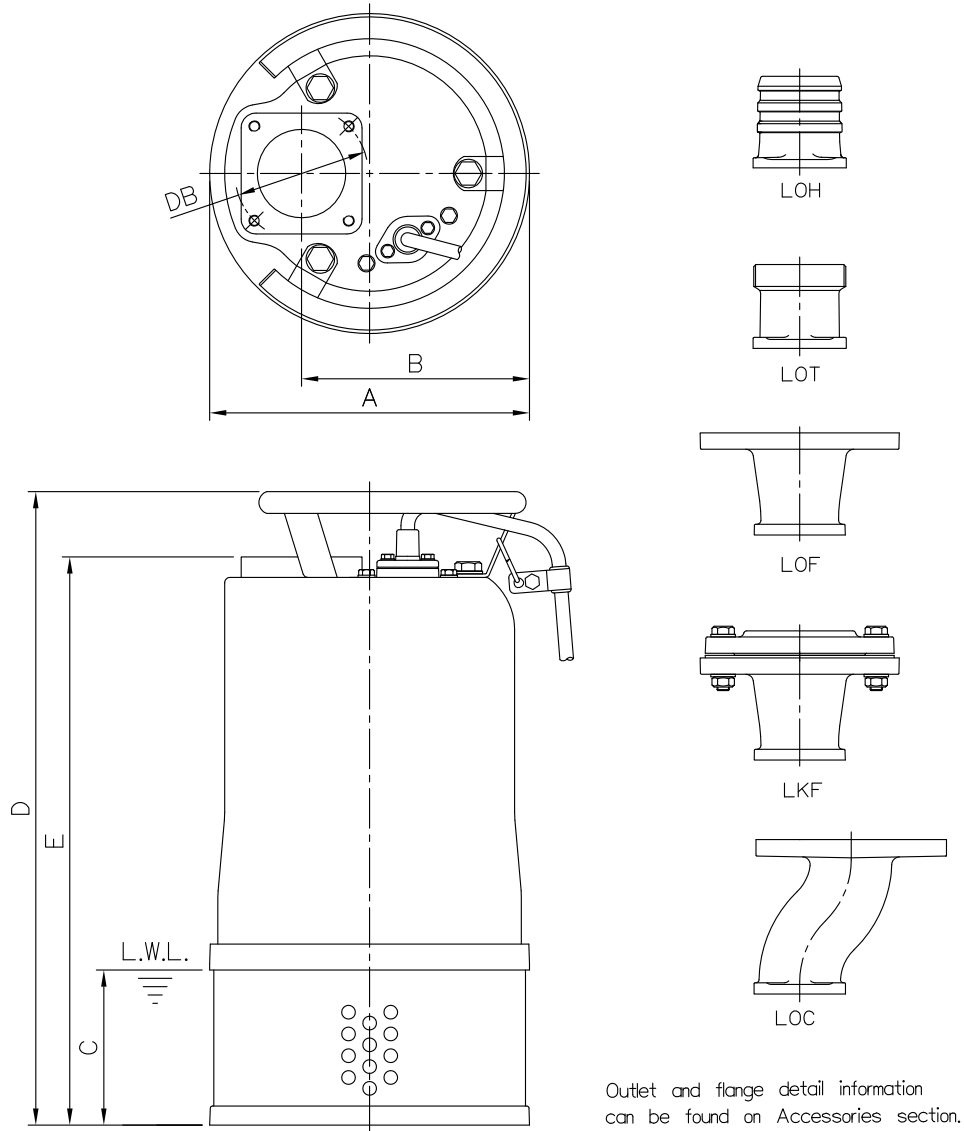


DIMENSIONS

No: S3ASN237030-00

MODEL: 80ASN21.5/22.2/23.7 & 100ASL23.7

30



Outlet and flange detail information can be found on Accessories section.

Dimensions—mm

Weight:kg

Model	A	B	C	D	E	DB	WT1	Optional Outlet Accessories				
								LOH	LOT	LOF	LKF	LOC
80ASN21.5	235	168	115	466	421	98	36	LOH3-98	LOT3-98	LOF3-150-160*98	LKF3-150*98	LOC3-150*98
80ASN22.2	235	168	115	466	421	98	39	LOH3-98	LOT3-98	LOF3-150-160*98	LKF3-150*98	LOC3-150*98
80ASN23.7	235	168	115	496	451	98	44	LOH3-98	LOT3-98	LOF3-150-160*98	LKF3-150*98	LOC3-150*98
100ASL23.7	235	168	130	511	465	98	44	LOH4-98	LOT4-98	LOF4-175-190*98	LKF4-175*98	-

Dimensions—inch

Weight:lb

Model	A	B	C	D	E	DB	WT1	Optional Outlet Accessories				
								LOH	LOT	LOF	LKF	LOC
80ASN21.5	9¼	6⅝	4½	18⅝	16⅞	3⅞	79	LOH3-98	LOT3-98	LOF3-150-160*98	LKF3-150*98	LOC3-150*98
80ASN22.2	9¼	6⅝	4½	18⅝	16⅞	3⅞	86	LOH3-98	LOT3-98	LOF3-150-160*98	LKF3-150*98	LOC3-150*98
80ASN23.7	9¼	6⅝	4½	19½	17¾	3⅞	97	LOH3-98	LOT3-98	LOF3-150-160*98	LKF3-150*98	LOC3-150*98
100ASL23.7	9¼	6⅝	5⅝	20⅝	18⅞	3⅞	97	LOH4-98	LOT4-98	LOF4-175-190*98	LKF4-175*98	-

L.W.L.:Lowest Running Water Level

WT1: Pump Weight(Without Cable)