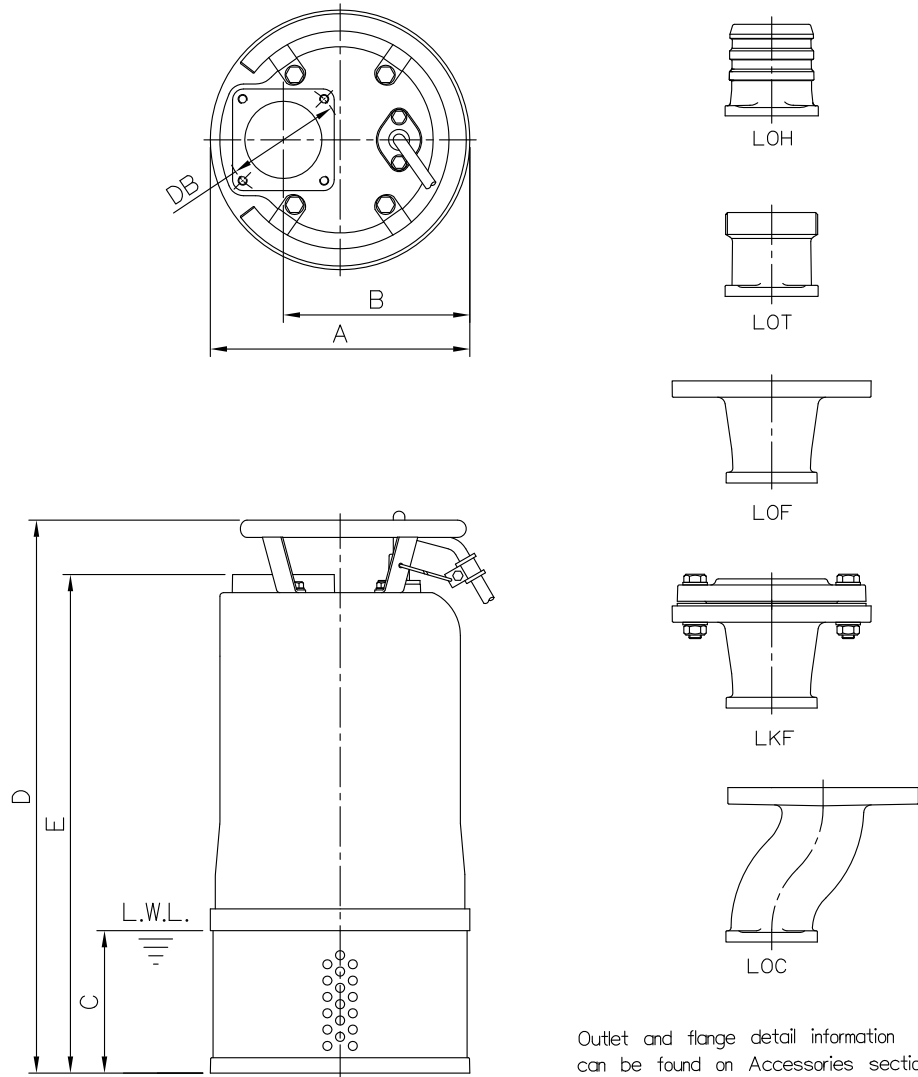


**DIMENSIONS**

**No: S4ASN275030-00**

**MODEL: 80ASH25.5 & 100ASN25.5/27.5 & 150ASL25.5/27.5**

**30**



Outlet and flange detail information can be found on Accessories section.

Dimensions-mm

Weight:kg

Model	A	B	C	D	E	DB	WT1 50Hz/60Hz	Optional Outlet Accessories				
								LOH	LOT	LOF	LKF	LOC
80ASH25.5	286	206	130	610	550	127	72/69	LOH3-127	LOT3-127	LOF3-150-160*127	LKF3-150*127	LOC3-150*127
100ASN25.5	286	206	130	610	550	127	75/71	LOH4-127	LOT4-127	LOF4-175-190*127	LKF4-175*127	-
100ASN27.5	286	206	130	610	550	127	80/79	LOH4-127	LOT4-127	LOF4-175-190*127	LKF4-175*127	-
150ASL25.5	286	206	130	610	550	127	78/NA	LOH6-127	LOT6-127	LOF6-240*127	LKF6-240*127	-
150ASL27.5	286	206	130	610	550	127	81	LOH6-127	LOT6-127	LOF6-240*127	LKF6-240*127	-

Dimensions-inch

Weight:lb

Model	A	B	C	D	E	DB	WT1 50Hz/60Hz	Optional Outlet Accessories				
								LOH	LOT	LOF	LKF	LOC
80ASH25.5	11¼	8½	5½	24	21⅝	5	159/152	LOH3-127	LOT3-127	LOF3-150-160*127	LKF3-150*127	LOC3-150*127
100ASN25.5	11¼	8½	5½	24	21⅝	5	165/157	LOH4-127	LOT4-127	LOF4-175-190*127	LKF4-175*127	-
100ASN27.5	11¼	8½	5½	24	21⅝	5	176/174	LOH4-127	LOT4-127	LOF4-175-190*127	LKF4-175*127	-
150ASL25.5	11¼	8½	5½	24	21⅝	5	172/NA	LOH6-127	LOT6-127	LOF6-240*127	LKF6-240*127	-
150ASL27.5	11¼	8½	5½	24	21⅝	5	179	LOH6-127	LOT6-127	LOF6-240*127	LKF6-240*127	-

L.W.L.:Lowest Running Water Level

WT1:Pump Weight(Without Cable)