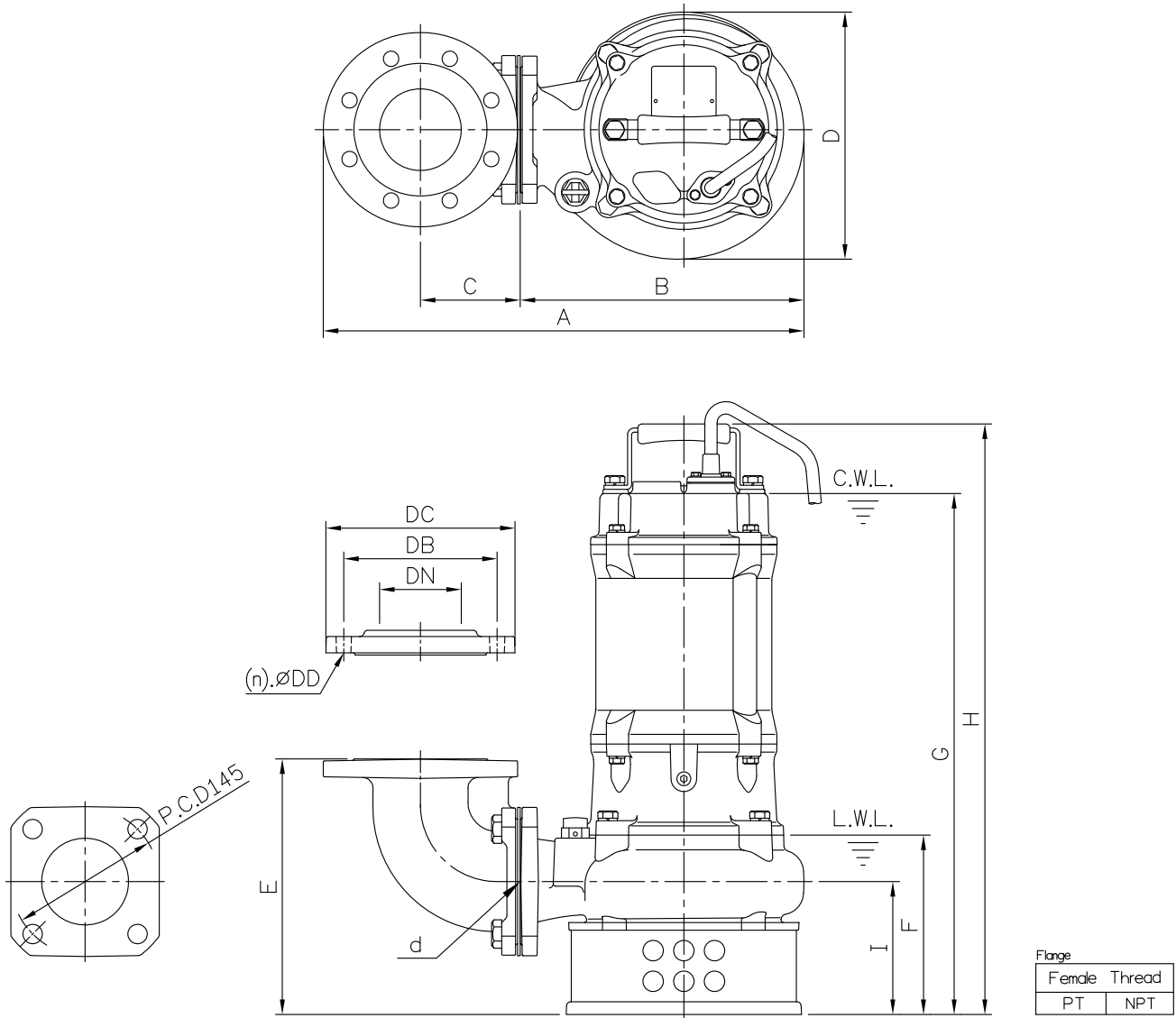


DIMENSIONS

No: S3AL0237A30-00

MODEL: 80AL23.7A

3Ø



Dimensions-mm

Weight:Kg

Model	d	A	B	C	D	E	F	G	H	I	WT1 50Hz/60Hz	Elbow (Flange) Set	DN	DB	DC	DD	(n)QTY	WT2
80AL23.7A	80	470	278	98	242	250	176	510	578	130	46/45	EB3-150A	80	150	185	15	8	12

Dimensions-inch

Weight:Lbs

Model	d	A	B	C	D	E	F	G	H	I	WT1 50Hz/60Hz	Elbow (Flange) Set	DN	DB	DC	DD	(n)QTY	WT2
80AL23.7A	3	18½	10⅞	3⅞	9½	9⅞	6⅞	20⅞	22¾	5⅞	101/99	EB3-150A	3	5⅞	7⅞	⅝	8	26

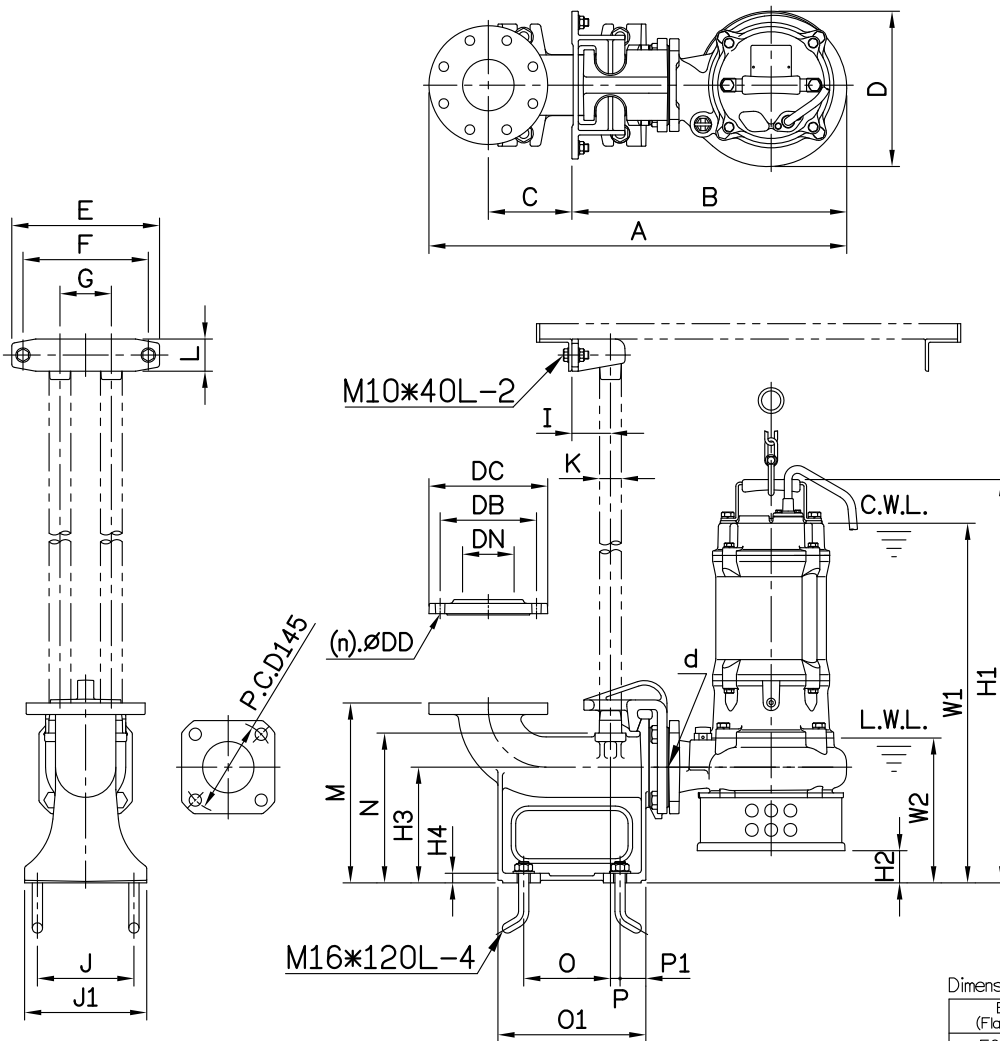
C.W.L.:Continuous Running Water Level WT1:Pump Weight(Without Cable)
 L.W.L.:Lowest Running Water Level WT2:Elbow Set Weight

DIMENSIONS

No:S3AL023703T-00

MODEL: 80AL23.7A

3Ø



Flange	
Female	Thread
PT	NPT

Dimensions-mm

Elbow (Flange) Set	DN	DB	DC	DD	(n)QTY
F3-150	80	150	185	15	8

Dimensions-inch

Elbow (Flange) Set	DN	DB	DC	DD	(n)QTY
F3-150	3	5 ¹⁵ / ₁₆	7 ⁵ / ₁₆	3 ¹⁵ / ₁₆	8

Dimensions-mm

Model	d	A	B	C	D	E	F	G	I	J	J1	K	L	M	N	O	O1	P	P1	W1	W2	H1	H2	H3	H4	WT1 50Hz/60Hz	GRS Set	WT2
80AL23.7A	80	653	430	130	242	230	195	80	60	150	190	1 ¹ / ₄	50	280	233	135	230	15	40	560	226	628	50	180	15	46/45	T80D	27

Weight:Kg

Dimensions-inch

Model	d	A	B	C	D	E	F	G	I	J	J1	K	L	M	N	O	O1	P	P1	W1	W2	H1	H2	H3	H4	WT1 50Hz/60Hz	GRS Set	WT2
80AL23.7A	3	25 ¹⁵ / ₁₆	16 ¹⁵ / ₁₆	5 ¹ / ₈	9 ¹ / ₂	9 ¹ / ₁₆	7 ¹ / ₁₆	3 ³ / ₈	2 ³ / ₈	5 ¹⁵ / ₁₆	7 ¹ / ₂	1 ¹ / ₄	2	11	9 ³ / ₁₆	5 ⁵ / ₁₆	9 ¹ / ₁₆	3 ¹ / ₁₆	1 ¹ / ₁₆	22 ¹ / ₁₆	8 ⁷ / ₈	24 ³ / ₄	1 ¹⁵ / ₁₆	7 ¹ / ₁₆	3 ¹⁵ / ₁₆	101/99	T80D	59

Weight:Lbs

C.W.L.:Continuous Running Water Level WT1:Pump Weight(Without Cable)
L.W.L.:Lowest Running Water Level WT2:GRS Set Weight