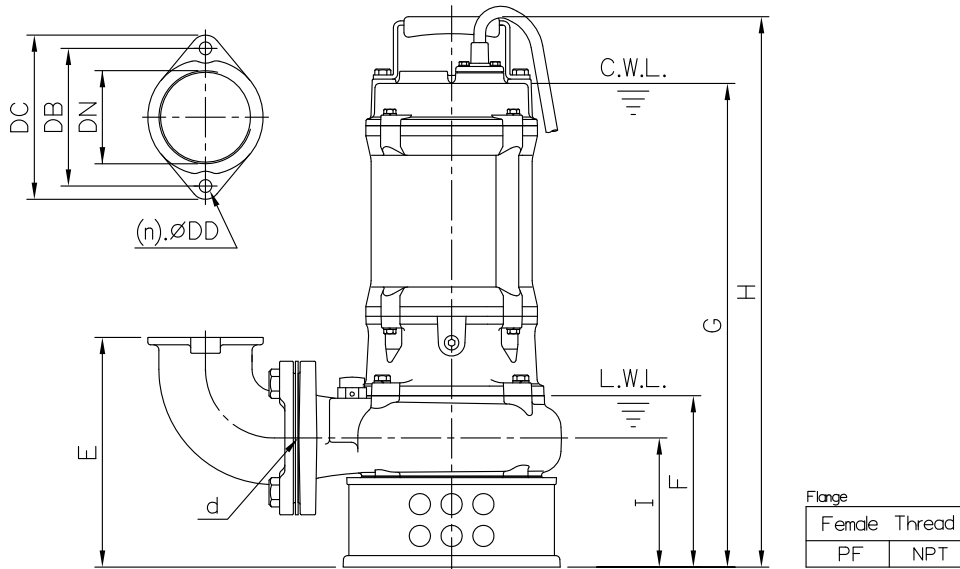
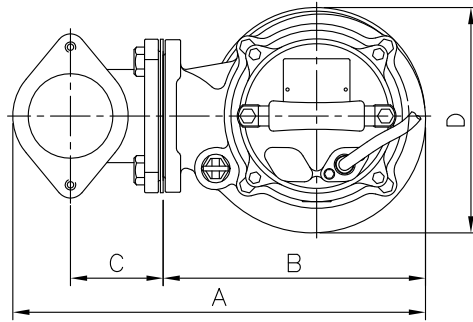


DIMENSIONS

No:S3AL0222030-00

MODEL: 80AL21.5 & 80AL22.2

1 Ø & 3 Ø



Dimensions--mm

Weight:kg

Model	d	A	B	C	D	E	F	G	H	I	WT1	Elbow (Flange) Set	DN	DB	DC	DD	(n)QTY	WT2
80AL21.5 1Ø	80	391	249	88	214	217	162	512	575	122	37	EB3-130	80	130	155	12	2	5
80AL22.2 1Ø	80	391	249	88	214	217	162	539	602	122	39	EB3-130	80	130	155	12	2	5
80AL21.5 3Ø	80	391	249	88	214	217	162	457	520	122	32	EB3-130	80	130	155	12	2	5
80AL22.2 3Ø	80	391	249	88	214	217	162	457	520	122	35	EB3-130	80	130	155	12	2	5

Dimensions--inch

Weight:lb

Model	d	A	B	C	D	E	F	G	H	I	WT1	Elbow (Flange) Set	DN	DB	DC	DD	(n)QTY	WT2
80AL21.5 1Ø	3	15 ³ / ₈	9 ¹³ / ₁₆	3 ⁷ / ₁₆	8 ⁷ / ₁₆	8 ⁵ / ₁₆	6 ³ / ₈	20 ³ / ₁₆	22 ⁵ / ₈	4 ¹³ / ₁₆	82	EB3-130	3	5 ¹ / ₈	6 ¹ / ₈	1/2	2	11
80AL22.2 1Ø	3	15 ³ / ₈	9 ¹³ / ₁₆	3 ⁷ / ₁₆	8 ⁷ / ₁₆	8 ⁵ / ₁₆	6 ³ / ₈	21 ¹ / ₄	23 ³ / ₁₆	4 ¹³ / ₁₆	86	EB3-130	3	5 ¹ / ₈	6 ¹ / ₈	1/2	2	11
80AL21.5 3Ø	3	15 ³ / ₈	9 ¹³ / ₁₆	3 ⁷ / ₁₆	8 ⁷ / ₁₆	8 ⁵ / ₁₆	6 ³ / ₈	18	20 ¹ / ₂	4 ¹³ / ₁₆	71	EB3-130	3	5 ¹ / ₈	6 ¹ / ₈	1/2	2	11
80AL22.2 3Ø	3	15 ³ / ₈	9 ¹³ / ₁₆	3 ⁷ / ₁₆	8 ⁷ / ₁₆	8 ⁵ / ₁₆	6 ³ / ₈	18	20 ¹ / ₂	4 ¹³ / ₁₆	77	EB3-130	3	5 ¹ / ₈	6 ¹ / ₈	1/2	2	11

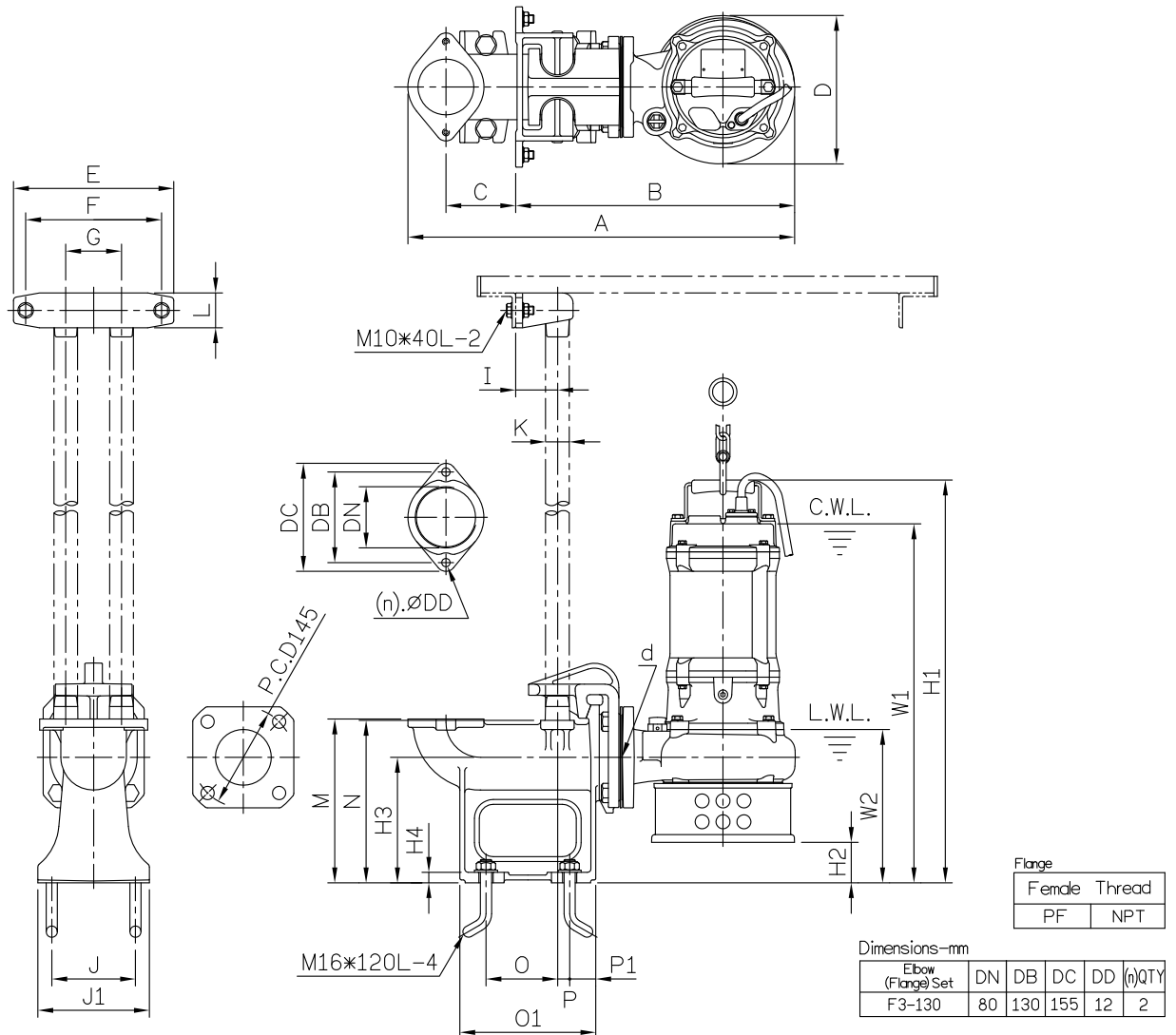
C.W.L.:Continuous Running Water Level WT1:Pump Weight(Without Cable)
 L.W.L.:Lowest Running Water Level WT2:Elbow Set Weight

DIMENSIONS

No: S3AL022203T-00

MODEL: 80AL21.5 & 80AL22.2

1 Ø & 3 Ø



Elbow (Flange) Set	DN	DB	DC	DD	(n)QTY
F3-130	80	130	155	12	2

Elbow (Flange) Set	DN	DB	DC	DD	(n)QTY
F3-130	3	5 1/8	6 1/8	1/2	2

Dimensions-mm

Weight:kg

Model	d	A	B	C	D	E	F	G	I	J	J1	K	L	M	N	O	O1	P	P1	W1	W2	H1	H2	H3	H4	WT1	GRS Set	WT2
80AL21.5 1Ø	80	556	401	100	214	230	195	80	60	120	160	1 1/4"	50	235	233	103	195	18	38	597	218	660	58	180	15	37	T2-80	20
80AL22.2 1Ø	80	556	401	100	214	230	195	80	60	120	160	1 1/4"	50	235	233	103	195	18	38	624	218	687	58	180	15	39	T2-80	20
80AL21.5 3Ø	80	556	401	100	214	230	195	80	60	120	160	1 1/4"	50	235	233	103	195	18	38	515	218	578	58	180	15	32	T2-80	20
80AL22.2 3Ø	80	556	401	100	214	230	195	80	60	120	160	1 1/4"	50	235	233	103	195	18	38	515	218	578	58	180	15	35	T2-80	20

Dimensions-inch

Weight:lb

Model	d	A	B	C	D	E	F	G	I	J	J1	K	L	M	N	O	O1	P	P1	W1	W2	H1	H2	H3	H4	WT1	GRS Set	WT2
80AL21.5 1Ø	3	21 3/8	15 3/16	3 15/16	8 7/16	9 1/16	7 1/16	3 3/8	2 3/8	4 3/4	6 5/16	1 1/4	2	9 1/4	9 3/16	4 1/16	7 1/16	1 1/16	1 1/2	23 1/2	8 5/16	26	2 5/16	7 1/16	5/16	82	T2-80	43
80AL22.2 1Ø	3	21 3/8	15 3/16	3 15/16	8 7/16	9 1/16	7 1/16	3 3/8	2 3/8	4 3/4	6 5/16	1 1/4	2	9 1/4	9 3/16	4 1/16	7 1/16	1 1/16	1 1/2	24 1/16	8 5/16	27 1/16	2 5/16	7 1/16	5/16	86	T2-80	43
80AL21.5 3Ø	3	21 3/8	15 3/16	3 15/16	8 7/16	9 1/16	7 1/16	3 3/8	2 3/8	4 3/4	6 5/16	1 1/4	2	9 1/4	9 3/16	4 1/16	7 1/16	1 1/16	1 1/2	20 3/4	8 5/16	22 3/4	2 5/16	7 1/16	5/16	71	T2-80	43
80AL22.2 3Ø	3	21 3/8	15 3/16	3 15/16	8 7/16	9 1/16	7 1/16	3 3/8	2 3/8	4 3/4	6 5/16	1 1/4	2	9 1/4	9 3/16	4 1/16	7 1/16	1 1/16	1 1/2	20 3/4	8 5/16	22 3/4	2 5/16	7 1/16	5/16	77	T2-80	43

C.W.L.:Continuous Running Water Level WT1:Pump Weight(Without Cable)
L.W.L.:Lowest Running Water Level WT2:GRS Set Weight