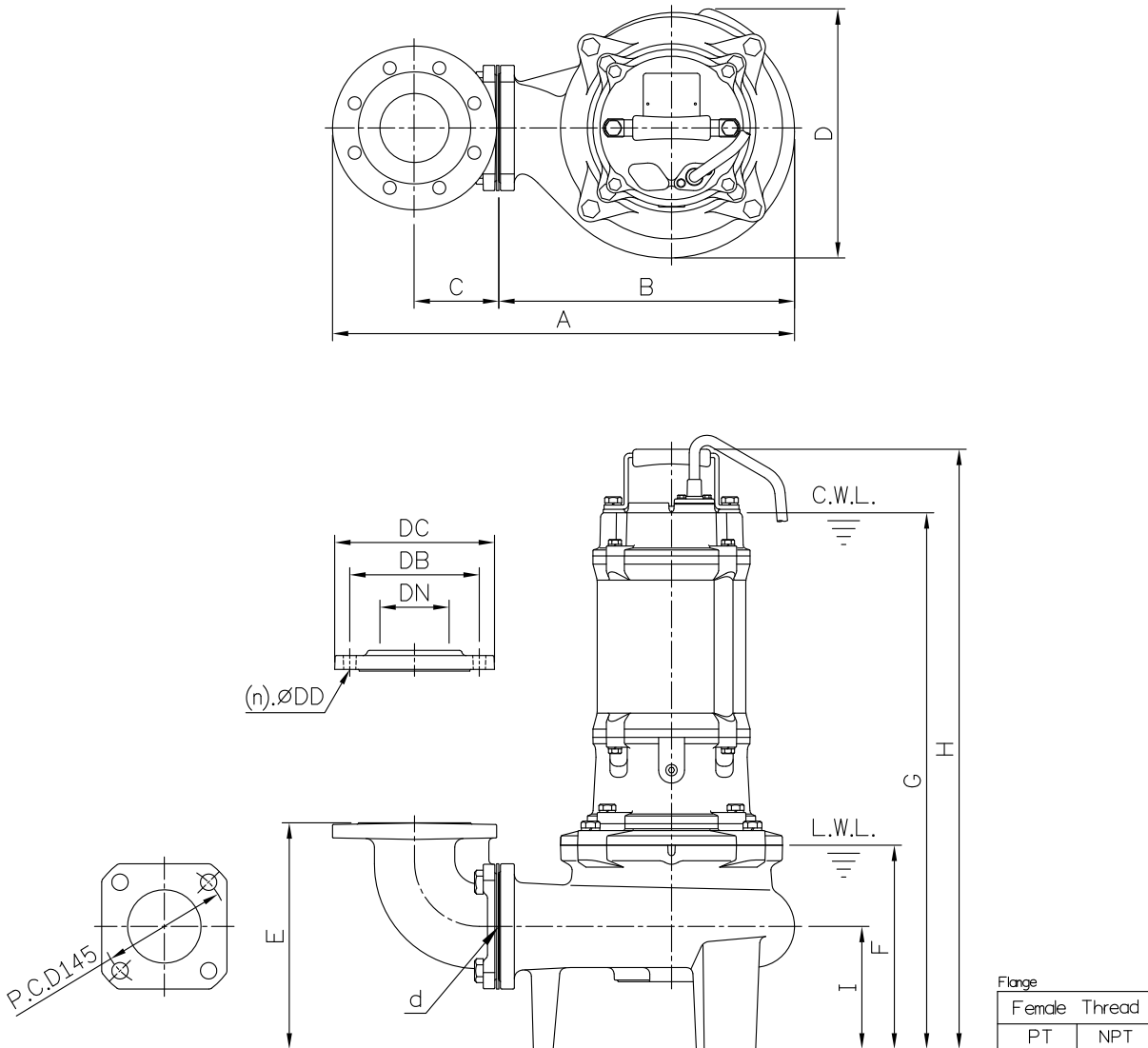


DIMENSIONS

No: S3AFU437030-00

MODEL: 80AFU42.2 & 80AFU43.7

3Ø



Dimensions--mm

Weight:Kg

Model	d	A	B	C	D	E	F	G	H	I	WT1 50Hz/60Hz	Elbow (Flange) Set	DN	DB	DC	DD	(n)QTY	WT2
80AFU42.2	80	535	343	98	289	262	236	581	655	142	57/56	EB3-150A	80	150	185	15	8	12
80AFU43.7	80	535	343	98	289	262	236	621	695	142	65/63	EB3-150A	80	150	185	15	8	12

Dimensions--inch

Weight:Lbs

Model	d	A	B	C	D	E	F	G	H	I	WT1 50Hz/60Hz	Elbow (Flange) Set	DN	DB	DC	DD	(n)QTY	WT2
80AFU42.2	3	21 ¹ / ₁₆	13 ¹ / ₂	3 ⁷ / ₁₆	11 ³ / ₁₆	10 ⁵ / ₁₆	9 ¹ / ₁₆	22 ⁷ / ₁₆	25 ³ / ₁₆	5 ¹ / ₁₆	126/123	EB3-150A	3	5 ⁵ / ₁₆	7 ⁵ / ₁₆	9 ¹ / ₁₆	8	26
80AFU43.7	3	21 ¹ / ₁₆	13 ¹ / ₂	3 ⁷ / ₁₆	11 ³ / ₁₆	10 ⁵ / ₁₆	9 ¹ / ₁₆	24 ¹ / ₁₆	27 ³ / ₁₆	5 ¹ / ₁₆	143/139	EB3-150A	3	5 ⁵ / ₁₆	7 ⁵ / ₁₆	9 ¹ / ₁₆	8	26

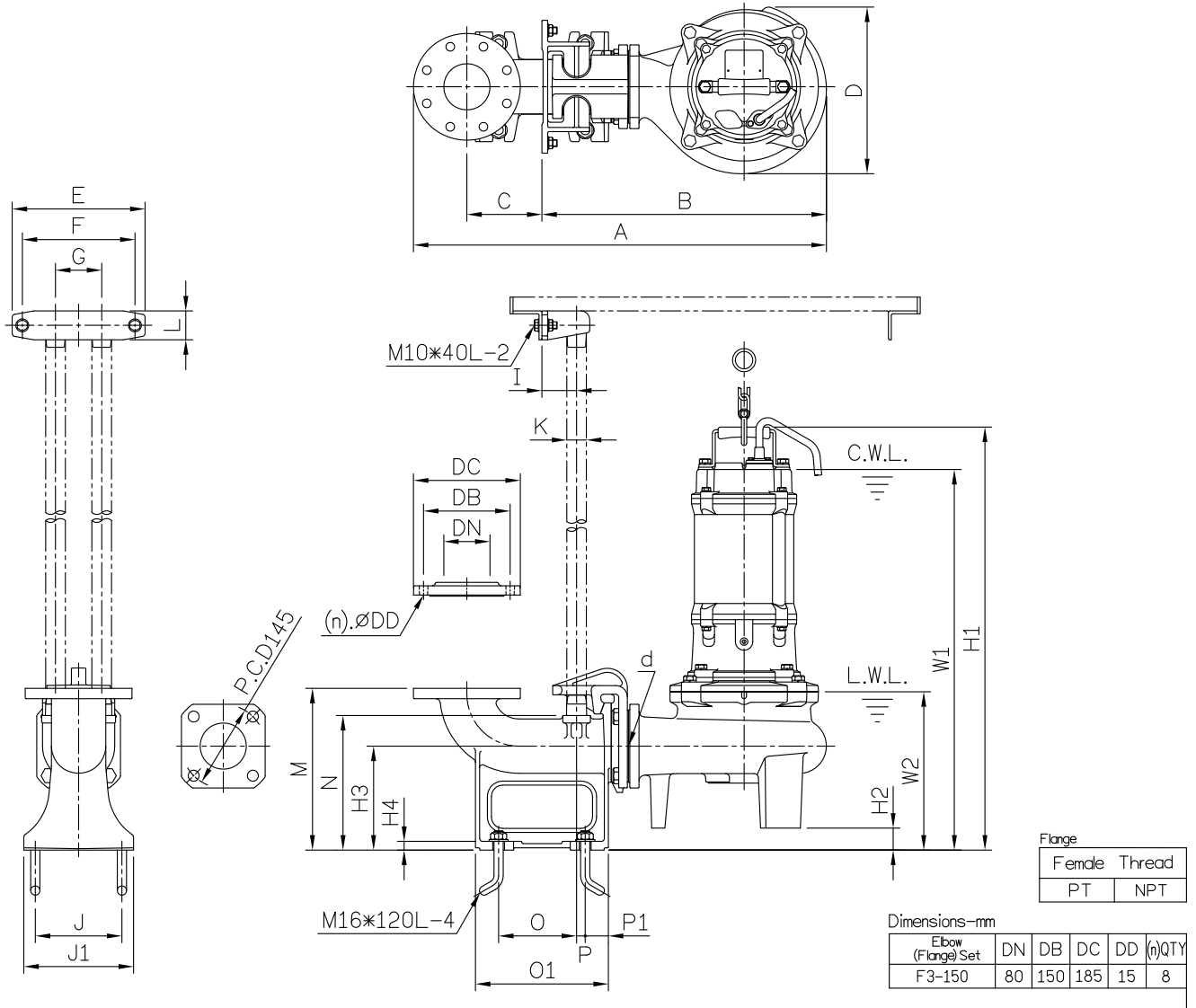
C.W.L.:Continuous Running Water Level WT1:Pump Weight(Without Cable)
 L.W.L.:Lowest Running Water Level WT2:Elbow Set Weight

DIMENSIONS

No: S3AFU43703T-00

MODEL: 80AFU42.2 & 80AFU43.7

30



Flange	
Female	Thread
PT	NPT

Dimensions-mm

Elbow (Flange) Set	DN	DB	DC	DD	(n)QTY
F3-150	80	150	185	15	8

Dimensions-inch

Elbow (Flange) Set	DN	DB	DC	DD	(n)QTY
F3-150	3	5 ¹⁵ / ₁₆	7 ⁵ / ₁₆	9 ¹⁵ / ₁₆	8

Dimensions-mm

Model	d	A	B	C	D	E	F	G	I	J	J1	K	L	M	N	O	O1	P	P1	W1	W2	H1	H2	H3	H4	Weight:Kg		
																										WT1 50Hz/60Hz	GRS Set	WT2
80AFU42.2	80	718	496	130	289	230	195	80	60	150	190	1 ¹ / ₄	50	280	233	135	230	15	40	619	274	693	38	180	15	57/56	T80D	27
80AFU43.7	80	718	496	130	289	230	195	80	60	150	190	1 ¹ / ₄	50	280	233	135	230	15	40	659	274	733	38	180	15	65/63	T80D	27

Dimensions-inch

Model	d	A	B	C	D	E	F	G	I	J	J1	K	L	M	N	O	O1	P	P1	W1	W2	H1	H2	H3	H4	Weight:Lbs		
																										WT1 50Hz/60Hz	GRS Set	WT2
80AFU42.2	3	28 ³ / ₄	19 ¹ / ₂	5 ¹ / ₈	11 ³ / ₈	9 ¹ / ₁₆	7 ¹¹ / ₁₆	3 ¹ / ₈	2 ³ / ₈	5 ⁵ / ₁₆	7 ¹ / ₂	1 ¹ / ₄	2	11	9 ³ / ₁₆	5 ⁵ / ₁₆	9 ¹ / ₁₆	1 ¹ / ₁₆	1 ¹ / ₁₆	24 ³ / ₈	10 ¹³ / ₁₆	27 ⁵ / ₁₆	1 ¹ / ₂	7 ¹ / ₁₆	9 ¹ / ₁₆	126/123	T80D	59
80AFU43.7	3	28 ³ / ₄	19 ¹ / ₂	5 ¹ / ₈	11 ³ / ₈	9 ¹ / ₁₆	7 ¹¹ / ₁₆	3 ¹ / ₈	2 ³ / ₈	5 ⁵ / ₁₆	7 ¹ / ₂	1 ¹ / ₄	2	11	9 ³ / ₁₆	5 ⁵ / ₁₆	9 ¹ / ₁₆	1 ¹ / ₁₆	1 ¹ / ₁₆	25 ⁵ / ₁₆	10 ¹³ / ₁₆	28 ⁵ / ₁₆	1 ¹ / ₂	7 ¹ / ₁₆	9 ¹ / ₁₆	143/139	T80D	59

C.W.L.:Continuous Running Water Level WT1:Pump Weight(Without Cable)
L.W.L.:Lowest Running Water Level WT2:GRS Set Weight