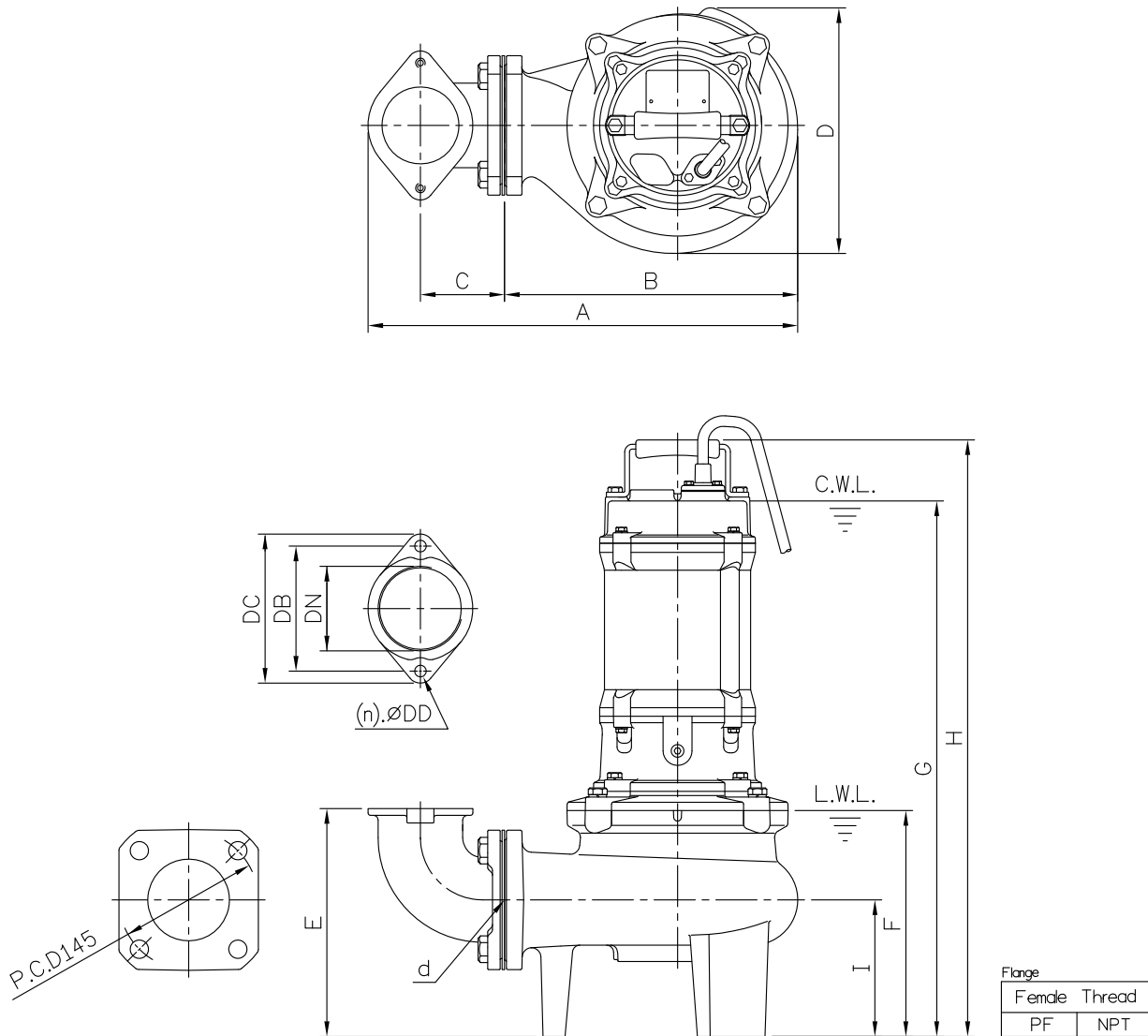


**DIMENSIONS**

**No: S3AFU415030-00**

**MODEL: 80AFU41.5**

**1 Ø & 3 Ø**



Dimensions—mm

Weight:kg

Model	d	A	B	C	D	E	F	G	H	I	WT1	Elbow (Flange) Set	DN	DB	DC	DD	(n)QTY	WT2
80AFU41.5 1Ø	80	447	305	88	255	237	235	635	698	142	47	EB3-130	80	130	155	12	2	5
80AFU41.5 3Ø	80	447	305	88	255	237	235	557	621	142	47	EB3-130	80	130	155	12	2	5

Dimensions—in

Weight:lb

Model	d	A	B	C	D	E	F	G	H	I	WT1	Elbow (Flange) Set	DN	DB	DC	DD	(n)QTY	WT2
80AFU41.5 1Ø	3	17 <sup>5</sup> / <sub>16</sub>	12	3 <sup>3</sup> / <sub>16</sub>	10 <sup>1</sup> / <sub>16</sub>	9 <sup>3</sup> / <sub>16</sub>	9 <sup>1</sup> / <sub>4</sub>	25	27 <sup>1</sup> / <sub>2</sub>	5 <sup>9</sup> / <sub>16</sub>	104	EB3-130	3	5 <sup>1</sup> / <sub>8</sub>	6 <sup>1</sup> / <sub>8</sub>	1/2	2	11
80AFU41.5 3Ø	3	17 <sup>5</sup> / <sub>16</sub>	12	3 <sup>3</sup> / <sub>16</sub>	10 <sup>1</sup> / <sub>16</sub>	9 <sup>3</sup> / <sub>16</sub>	9 <sup>1</sup> / <sub>4</sub>	21 <sup>1</sup> / <sub>16</sub>	24 <sup>1</sup> / <sub>16</sub>	5 <sup>9</sup> / <sub>16</sub>	104	EB3-130	3	5 <sup>1</sup> / <sub>8</sub>	6 <sup>1</sup> / <sub>8</sub>	1/2	2	11

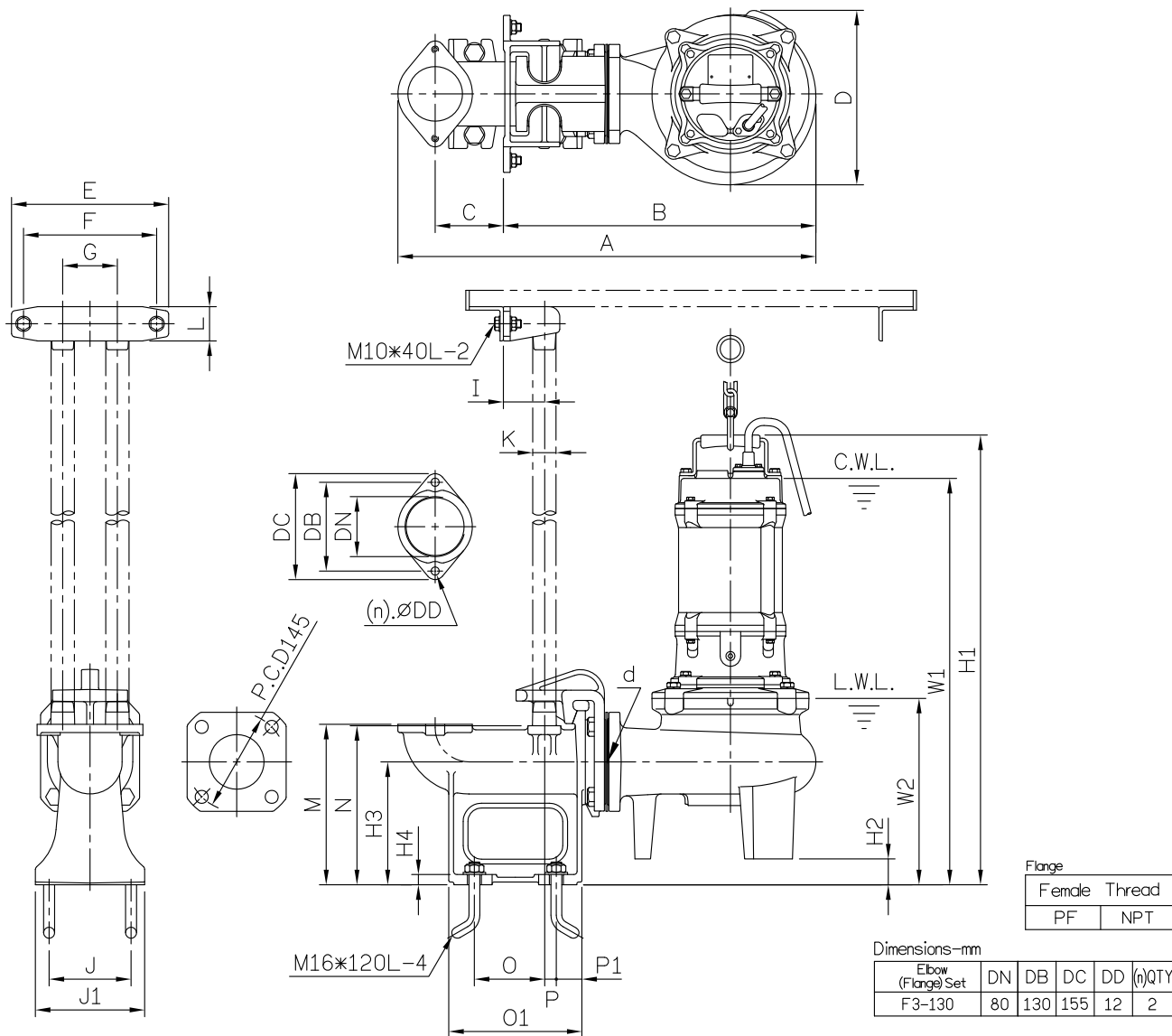
C.W.L.:Continuous Running Water Level WT1:Pump Weight(Without Cable)  
 L.W.L.:Lowest Running Water Level WT2:Elbow Set Weight

**DIMENSIONS**

**No: S3AFU41503T-00**

**MODEL: 80AFU41.5**

**1 Ø & 3 Ø**



Dimensions-mm

Model	d	A	B	C	D	E	F	G	I	J	J1	K	L	M	N	O	O1	P	P1	W1	W2	H1	H2	H3	H4	WT1	Weight:kg	
																											GRS Set	WT2
80AFU41.5 1Ø	80	612	458	100	255	230	195	80	60	120	160	1¼"	50	235	233	103	195	18	38	673	273	736	38	180	15	47	T2-80	20
80AFU41.5 3Ø	80	612	458	100	255	230	195	80	60	120	160	1¼"	50	235	233	103	195	18	38	595	273	658	38	180	15	47	T2-80	20

Dimensions-inch

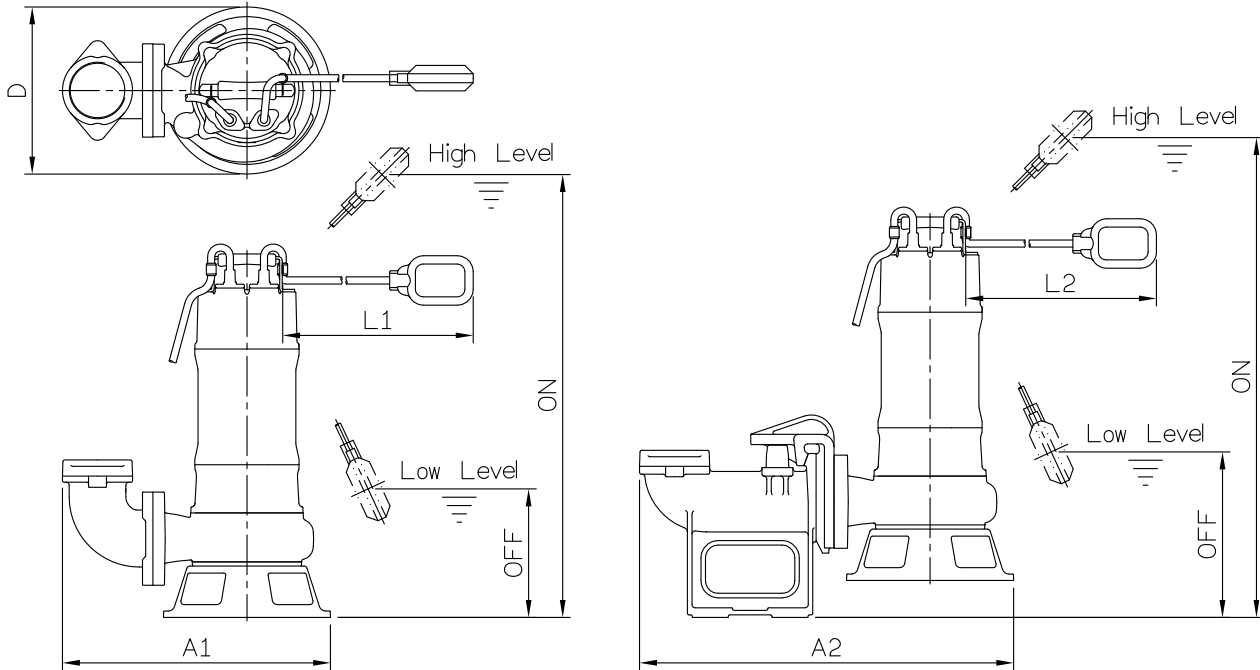
Model	d	A	B	C	D	E	F	G	I	J	J1	K	L	M	N	O	O1	P	P1	W1	W2	H1	H2	H3	H4	WT1	Weight:lb	
																											GRS Set	WT2
80AFU41.5 1Ø	3	24¾	18½	3⅝	10⅞	9⅞	7⅞	3⅞	2⅝	4¾	6⅝	1¼	1⅝	9¼	9⅜	4⅞	7⅞	1⅞	1½	26½	10¾	29	1½	7⅞	⅞	104	T2-80	43
80AFU41.5 3Ø	3	24¾	18½	3⅝	10⅞	9⅞	7⅞	3⅞	2⅝	4¾	6⅝	1¼	1⅝	9¼	9⅜	4⅞	7⅞	1⅞	1½	23⅞	10¾	25⅞	1½	7⅞	⅞	104	T2-80	43

C.W.L.:Continuous Running Water Level WT1:Pump Weight(Without Cable)  
 L.W.L.:Lowest Running Water Level WT2:GRS Set Weight

**DIMENSIONS**

**No: SOAF00000F-00**

**Float Switch Pumps Model**



Model	Pump Only														With GRS							
	Dimensions-mm					Weight-kg		Dimensions-inch					Weight-lb		Dimensions-mm				Dimensions-inch			
	A1	D	L1	ON	OFF	WT1 50Hz/60Hz	WT2	A1	D	L1	ON	OFF	WT1 50Hz/60Hz	WT2	A2	L2	ON	OFF	A2	L2	ON	OFF
50AFU2.4F 1Ø	235	154	380	570	240	19.5	0.5	9 3/4	6 1/8	14 15/16	22 7/16	9 7/16	43	1	415	380	589	259	16 5/16	14 15/16	23 3/16	10 3/16
50AFU2.8F 1Ø	235	154	380	570	240	20.5	0.5	9 3/4	6 1/8	14 15/16	22 7/16	9 7/16	45	1	415	380	589	259	16 5/16	14 15/16	23 3/16	10 3/16
50AFU2.4LF 1Ø	307	164	380	600	270	20.5	3	12 1/16	6 7/16	14 15/16	23 5/8	10 5/8	45	6.5	515	380	685	355	20 3/4	14 15/16	26 5/16	14
50AFU2.8LF 1Ø	307	164	380	600	270	22.5	3	12 1/16	6 7/16	14 15/16	23 5/8	10 5/8	49.5	6.5	515	380	685	355	20 3/4	14 15/16	26 5/16	14
50AFU21.5F 1Ø	288	202	455	605	155	33.5	0.5	11 1/16	7 15/16	17 15/16	23 3/16	6 1/8	74	1	582	455	632	182	22 3/16	17 15/16	24 7/8	7 3/16
80AFU21.5F 1Ø	397	202	455	645	195	35.5	5	15 5/8	7 15/16	17 15/16	25 3/4	7 11/16	78	11	567	455	744	294	22 3/16	17 15/16	29 1/8	11 1/16
80AFU22.2F 1Ø	397	202	455	680	230	38.5	5	15 5/8	7 15/16	17 15/16	26 3/4	9 1/16	85	11	567	455	779	329	22 3/16	17 15/16	30 1/4	12 3/16
80AFU21.5LF 1Ø	402	221	455	695	245	38.5	5	15 5/8	8 1/16	17 15/16	27 3/8	9 5/8	85	11	572	455	755	305	22 3/16	17 15/16	29 3/4	12
80AFU22.2LF 1Ø	402	221	455	730	280	40.5	5	15 5/8	8 1/16	17 15/16	28 3/4	11	89	11	572	455	790	340	22 3/16	17 15/16	31 1/4	13 3/8
80AFP21.5F 1Ø	417	260	455	645	195	37.5	5	16 1/16	10 3/4	17 15/16	25 3/8	7 11/16	83	11	582	455	702	252	22 3/16	17 15/16	27 5/8	9 15/16
80AFP22.2F 1Ø	417	260	455	680	230	40.5	5	16 1/16	10 3/4	17 15/16	26 3/4	9 1/16	89	11	582	455	737	287	22 3/16	17 15/16	29	11 1/16
50AFU2.4F 3Ø	235	154	380	570	240	19	0.5	9 3/4	6 1/8	14 15/16	22 7/16	9 7/16	42	1	415	380	589	259	16 5/16	14 15/16	23 3/16	10 3/16
50AFU2.8F 3Ø	235	154	380	570	240	20	0.5	9 3/4	6 1/8	14 15/16	22 7/16	9 7/16	44	1	415	380	589	259	16 5/16	14 15/16	23 3/16	10 3/16
50AFU2.4LF 3Ø	307	164	380	600	270	20	3	12 1/16	6 7/16	14 15/16	23 5/8	10 5/8	44	6.5	515	380	685	355	20 3/4	14 15/16	26 5/16	14
50AFU2.8LF 3Ø	307	164	380	600	270	22	3	12 1/16	6 7/16	14 15/16	23 5/8	10 5/8	48.5	6.5	515	380	685	355	20 3/4	14 15/16	26 5/16	14
50AFU21.5F 3Ø	288	202	510	437	149	31.5	0.5	11 1/16	7 15/16	20 1/16	17 15/16	5 7/8	69.5	1	582	510	464	176	22 3/16	20 1/16	18 1/4	6 15/16
80AFU21.5F 3Ø	397	202	510	477	189	34.5	5	15 5/8	7 15/16	20 1/16	18 3/4	7 7/16	76	11	567	510	576	288	22 3/16	20 1/16	22 1/4	11 1/16
80AFU22.2F 3Ø	397	202	510	477	189	36.5	5	15 5/8	7 15/16	20 1/16	18 3/4	7 7/16	80.5	11	567	510	576	288	22 3/16	20 1/16	22 1/4	11 1/16
80AFU21.5LF 3Ø	402	221	510	527	239	36.5	5	15 5/8	8 1/16	20 1/16	20 3/4	9 7/16	80.5	11	572	510	587	299	22 3/16	20 1/16	23 3/8	11 3/4
80AFU22.2LF 3Ø	402	221	510	527	239	38.5	5	15 5/8	8 1/16	20 1/16	20 3/4	9 7/16	85	11	572	510	587	299	22 3/16	20 1/16	23 3/8	11 3/4
80AFP21.5F 3Ø	417	260	510	620	250	35.5	5	16 1/16	10 3/4	20 1/16	24 7/16	9 13/16	78	11	582	510	677	307	22 3/16	20 1/16	26 5/8	12 3/16
80AFP22.2F 3Ø	417	260	510	620	250	37.5	5	16 1/16	10 3/4	20 1/16	24 7/16	9 13/16	83	11	582	510	677	307	22 3/16	20 1/16	26 5/8	12 3/16
50AFU4.4F 1Ø	347	204	470	750	200	30.5	3	13 3/16	8 3/16	18 1/2	29 1/2	7 7/8	67	6.5	555	470	825	275	21 1/8	18 1/2	32 1/2	10 13/16
50AFU4.8F 1Ø	347	204	470	750	200	30.5	3	13 3/16	8 3/16	18 1/2	29 1/2	7 7/8	67	6.5	555	470	825	275	21 1/8	18 1/2	32 1/2	10 13/16
80AFU41.5F 1Ø	447	255	455	780	300	47.5	5	17 3/8	10 1/16	17 15/16	30 3/16	11 13/16	105	11	612	455	818	338	24 3/8	17 15/16	32 3/16	13 3/16
80AFP41.5F 1Ø	474	280	455	727	247	47.5/46.5	5	18 1/16	11 1/16	17 15/16	28 3/8	9 3/4	105/102.5	11	639	455	776	296	25 3/16	17 15/16	30 3/16	11 5/8
50AFU4.4F 3Ø	347	204	470	750	200	29	3	13 3/16	8 3/16	18 1/2	29 1/2	7 7/8	64	6.5	555	470	825	275	21 1/8	18 1/2	32 1/2	10 13/16
50AFU4.8F 3Ø	347	204	470	750	200	30	3	13 3/16	8 3/16	18 1/2	29 1/2	7 7/8	66	6.5	555	470	825	275	21 1/8	18 1/2	32 1/2	10 13/16
80AFU41.5F 3Ø	447	255	510	770	280	49.5	5	17 3/8	10 1/16	20 1/16	30 3/16	11	109	11	612	510	808	318	24 3/8	20 1/16	31 1/8	12 1/2
80AFP41.5F 3Ø	474	280	510	717	227	49.5	5	18 1/16	11 1/16	20 1/16	28 3/4	8 15/16	109	11	639	510	766	276	25 3/16	20 1/16	30 3/16	10 7/8

WT1:Pump Weight(including float switch)  
WT2:Elbow Set Weight