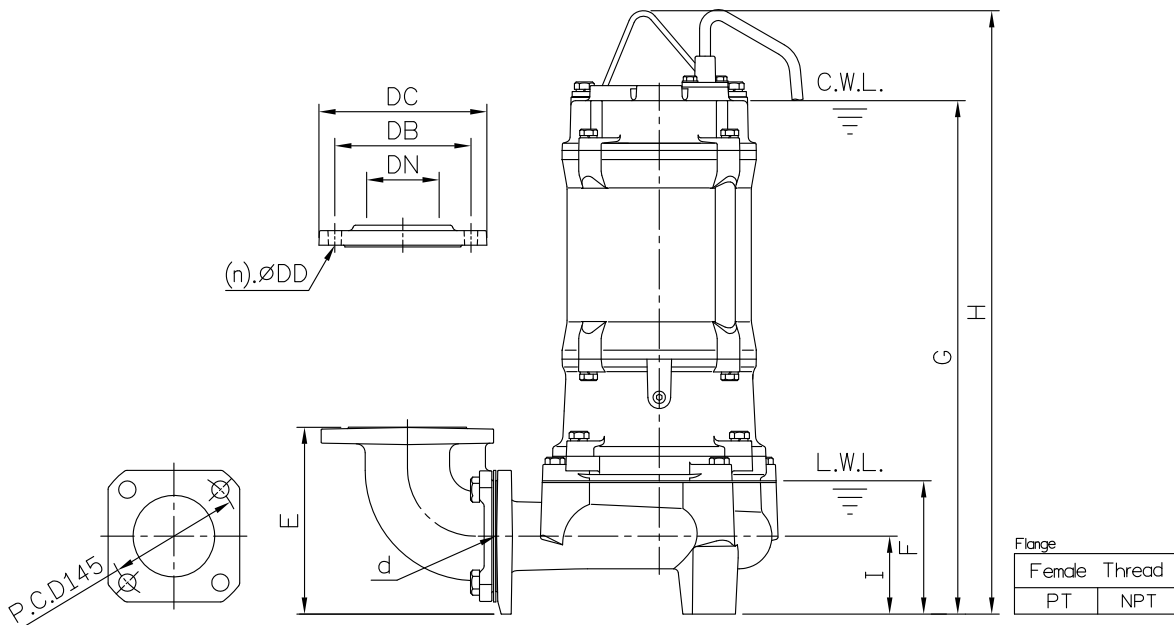
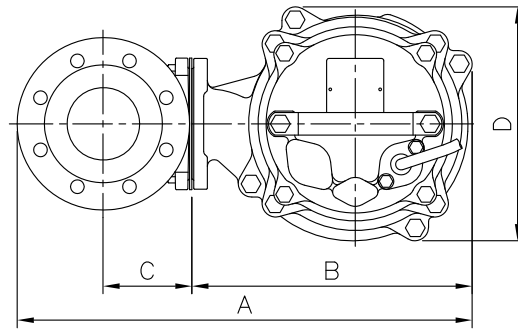


DIMENSIONS

No: S3AFU275030-00

MODEL: 80AFU25.5/27.5 & 80AFU25.5/27.5L

30



Dimensions-mm

Weight:Kg

Model	d	A	B	C	D	E	F	G	H	I	WT1 50Hz/60Hz	Elbow (Flange) Set	DN	DB	DC	DD	(n)QTY	WT2
80AFU25.5	80	501	309	98	258	206	147	566	665	86	68/67	EB3-150A	80	150	185	15	8	12
80AFU27.5	80	501	309	98	258	206	147	566	665	86	74/73	EB3-150A	80	150	185	15	8	12
80AFU25.5L	80	506	314	98	273	242	199	618	717	122	70/69	EB3-150A	80	150	185	15	8	12
80AFU27.5L	80	506	314	98	273	242	199	618	717	122	76/75	EB3-150A	80	150	185	15	8	12

Dimensions-inch

Weight:Lbs

Model	d	A	B	C	D	E	F	G	H	I	WT1 50Hz/60Hz	Elbow (Flange) Set	DN	DB	DC	DD	(n)QTY	WT2
80AFU25.5	3	19 ³ / ₄	12 ³ / ₁₆	3 ⁷ / ₈	10 ¹ / ₁₆	8 ¹ / ₈	5 ¹ / ₁₆	22 ⁵ / ₁₆	26 ⁵ / ₁₆	3 ³ / ₈	150/148	EB3-150A	3	5 ⁵ / ₁₆	7 ⁵ / ₁₆	9 ¹ / ₁₆	8	26
80AFU27.5	3	19 ³ / ₄	12 ³ / ₁₆	3 ⁷ / ₈	10 ¹ / ₁₆	8 ¹ / ₈	5 ¹ / ₁₆	22 ⁵ / ₁₆	26 ⁵ / ₁₆	3 ³ / ₈	163/161	EB3-150A	3	5 ⁵ / ₁₆	7 ⁵ / ₁₆	9 ¹ / ₁₆	8	26
80AFU25.5L	3	19 ⁹ / ₁₆	12 ³ / ₁₆	3 ⁷ / ₈	10 ³ / ₄	9 ¹ / ₂	7 ³ / ₁₆	24 ³ / ₁₆	28 ³ / ₄	4 ¹ / ₁₆	154/152	EB3-150A	3	5 ⁵ / ₁₆	7 ⁵ / ₁₆	9 ¹ / ₁₆	8	26
80AFU27.5L	3	19 ⁹ / ₁₆	12 ³ / ₁₆	3 ⁷ / ₈	10 ³ / ₄	9 ¹ / ₂	7 ³ / ₁₆	24 ³ / ₁₆	28 ³ / ₄	4 ¹ / ₁₆	168/165	EB3-150A	3	5 ⁵ / ₁₆	7 ⁵ / ₁₆	9 ¹ / ₁₆	8	26

C.W.L.:Continuous Running Water Level WT1:Pump Weight(Without Cable)
L.W.L.:Lowest Running Water Level WT2:Elbow Set Weight

