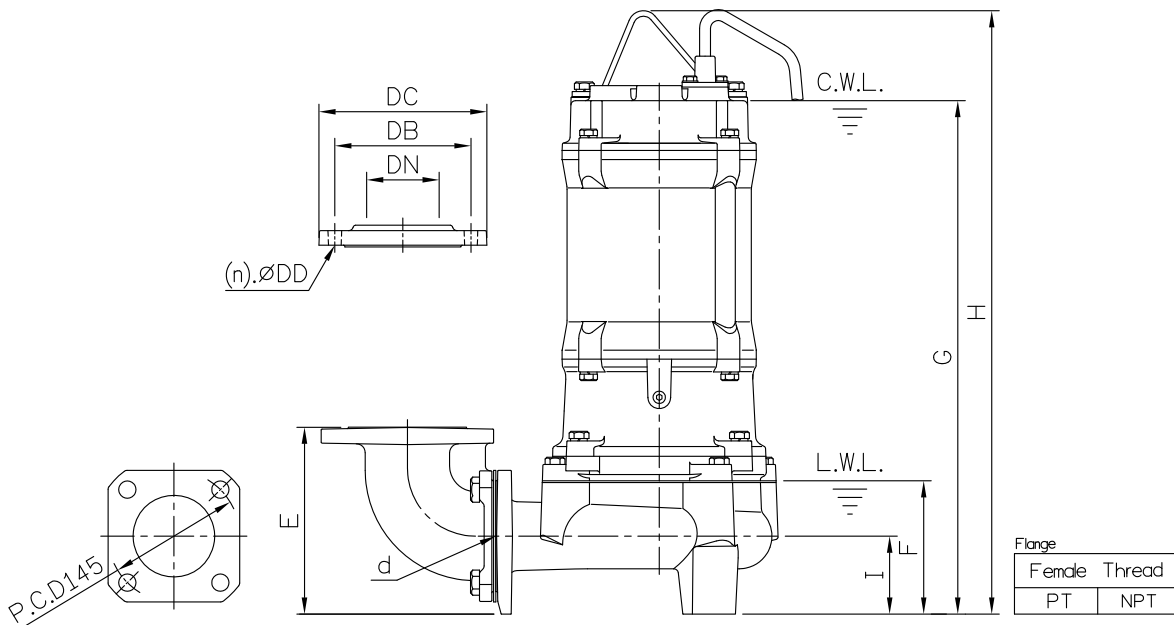
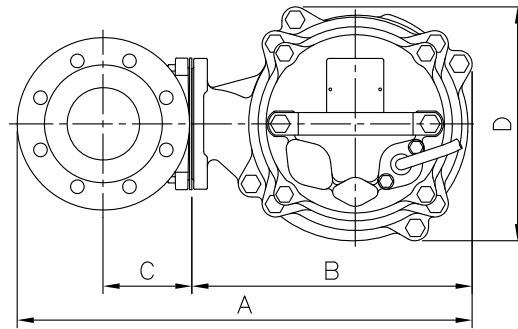


DIMENSIONS

No: S3AFU275030-00

MODEL: 80AFU25.5/27.5 & 80AFU25.5/27.5L

30



Dimensions-mm

Weight:Kg

Model	d	A	B	C	D	E	F	G	H	I	WT1 50Hz/60Hz	Elbow (Flange) Set	DN	DB	DC	DD	(n)QTY	WT2
80AFU25.5	80	501	309	98	258	206	147	566	665	86	68/67	EB3-150A	80	150	185	15	8	12
80AFU27.5	80	501	309	98	258	206	147	566	665	86	74/73	EB3-150A	80	150	185	15	8	12
80AFU25.5L	80	506	314	98	273	242	199	618	717	122	70/69	EB3-150A	80	150	185	15	8	12
80AFU27.5L	80	506	314	98	273	242	199	618	717	122	76/75	EB3-150A	80	150	185	15	8	12

Dimensions-inch

Weight:Lbs

Model	d	A	B	C	D	E	F	G	H	I	WT1 50Hz/60Hz	Elbow (Flange) Set	DN	DB	DC	DD	(n)QTY	WT2
80AFU25.5	3	19 ³ / ₄	12 ³ / ₁₆	3 ⁷ / ₈	10 ¹ / ₁₆	8 ¹ / ₈	5 ¹ / ₁₆	22 ⁵ / ₁₆	26 ⁵ / ₁₆	3 ³ / ₈	150/148	EB3-150A	3	5 ⁵ / ₁₆	7 ⁵ / ₁₆	9 ¹ / ₁₆	8	26
80AFU27.5	3	19 ³ / ₄	12 ³ / ₁₆	3 ⁷ / ₈	10 ¹ / ₁₆	8 ¹ / ₈	5 ¹ / ₁₆	22 ⁵ / ₁₆	26 ⁵ / ₁₆	3 ³ / ₈	163/161	EB3-150A	3	5 ⁵ / ₁₆	7 ⁵ / ₁₆	9 ¹ / ₁₆	8	26
80AFU25.5L	3	19 ⁹ / ₁₆	12 ³ / ₁₆	3 ⁷ / ₈	10 ³ / ₄	9 ¹ / ₂	7 ³ / ₁₆	24 ³ / ₁₆	28 ³ / ₄	4 ¹ / ₁₆	154/152	EB3-150A	3	5 ⁵ / ₁₆	7 ⁵ / ₁₆	9 ¹ / ₁₆	8	26
80AFU27.5L	3	19 ⁹ / ₁₆	12 ³ / ₁₆	3 ⁷ / ₈	10 ³ / ₄	9 ¹ / ₂	7 ³ / ₁₆	24 ³ / ₁₆	28 ³ / ₄	4 ¹ / ₁₆	168/165	EB3-150A	3	5 ⁵ / ₁₆	7 ⁵ / ₁₆	9 ¹ / ₁₆	8	26

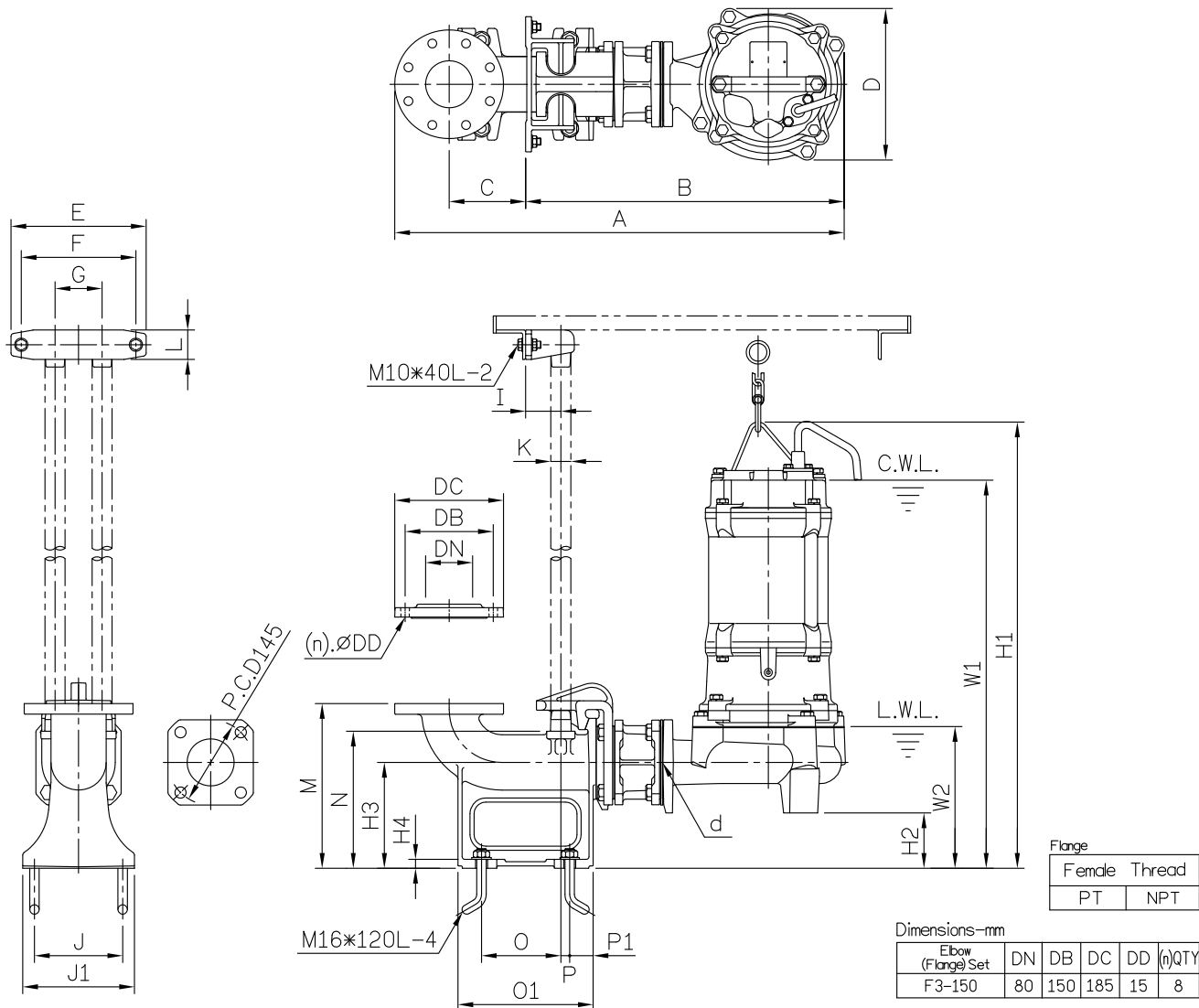
C.W.L.:Continuous Running Water Level WT1:Pump Weight(Without Cable)
L.W.L.:Lowest Running Water Level WT2:Elbow Set Weight

DIMENSIONS

No: S3AFU27503T-00

MODEL: 80AFU25.5/27.5 & 80AFU25.5/27.5L

3Ø



Flange	
Female Thread	
PT	NPT

Elbow (Flange) Set	DN	DB	DC	DD	(n)QTY
F3-150	80	150	185	15	8

Elbow (Flange) Set	DN	DB	DC	DD	(n)QTY
F3-150	3	5 15/16	7 5/16	9/16	8

Dimensions-mm

Weight:kg

Model	d	A	B	C	D	E	F	G	I	J	J1	K	L	M	N	O	O1	P	P1	W1	W2	H1	H2	H3	H4	WT1 50Hz/60Hz	GRS Set	WT2
80AFU25.5	80	764	542	130	258	230	195	80	60	150	190	1 1/4	50	280	233	135	230	15	40	660	241	759	94	180	15	68/67	T80DH	31
80AFU27.5	80	764	542	130	258	230	195	80	60	150	190	1 1/4	50	280	233	135	230	15	40	660	241	759	94	180	15	74/73	T80DH	31
80AFU25.5L	80	769	547	130	273	230	195	80	60	150	190	1 1/4	50	280	233	135	230	15	40	676	257	775	58	180	15	70/69	T80DH	31
80AFU27.5L	80	769	547	130	273	230	195	80	60	150	190	1 1/4	50	280	233	135	230	15	40	676	257	775	58	180	15	76/75	T80DH	31

Dimensions-inch

Weight:lb

Model	d	A	B	C	D	E	F	G	I	J	J1	K	L	M	N	O	O1	P	P1	W1	W2	H1	H2	H3	H4	WT1 50Hz/60Hz	GRS Set	WT2
80AFU25.5	3	30 1/16	21 1/16	5 1/8	10 3/16	9 1/16	7 1/16	3 1/8	2 3/8	5 7/8	7 1/2	1 1/4	2	11	9 1/16	5 1/16	9 1/16	3/16	1 1/16	26	9 1/2	29 3/8	3 3/8	7 1/8	9/16	150/148	T80DH	68
80AFU27.5	3	30 1/16	21 1/16	5 1/8	10 3/16	9 1/16	7 1/16	3 1/8	2 3/8	5 7/8	7 1/2	1 1/4	2	11	9 1/16	5 1/16	9 1/16	3/16	1 1/16	26	9 1/2	29 3/8	3 3/8	7 1/8	9/16	163/161	T80DH	68
80AFU25.5L	3	30 3/4	21 1/16	5 1/8	10 3/4	9 1/8	7 1/8	3 3/8	2 3/8	5 7/8	7 1/2	1 1/4	2	11	9 1/16	5 1/16	9 1/16	3/16	1 1/16	26 5/8	10 3/8	30 1/2	2 5/8	7 1/8	9/16	154/152	T80DH	68
80AFU27.5L	3	30 3/4	21 1/16	5 1/8	10 3/4	9 1/8	7 1/8	3 3/8	2 3/8	5 7/8	7 1/2	1 1/4	2	11	9 1/16	5 1/16	9 1/16	3/16	1 1/16	26 5/8	10 3/8	30 1/2	2 5/8	7 1/8	9/16	168/165	T80DH	68

C.W.L.:Continuous Running Water Level WT1:Pump Weight(Without Cable)
L.W.L.:Lowest Running Water Level WT2:GRS Set Weight