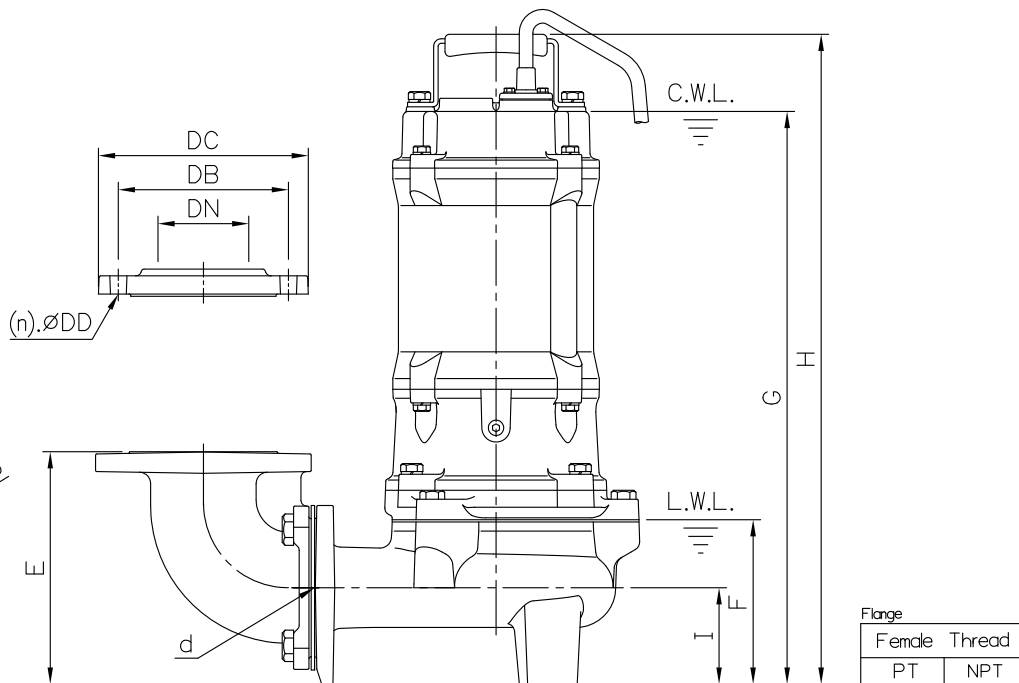
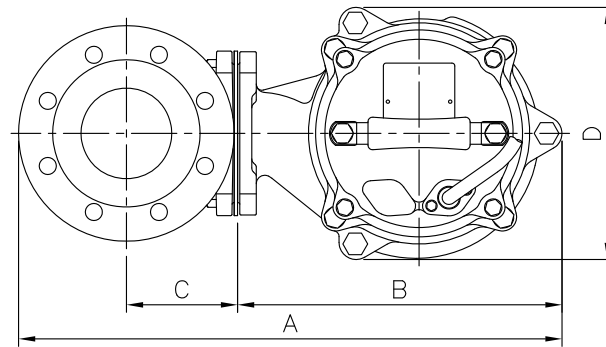


**DIMENSIONS**

**No: S3AFU237A30-00**

**MODEL: 80AFU23.7A & 80AFU23.7LA**

**3Ø**



Dimensions-mm

Weight:Kg

Model	d	A	B	C	D	E	F	G	H	I	WT1 50Hz/60Hz	Elbow (Flange) Set	DN	DB	DC	DD	(n)QTY	WT2
80AFU23.7A	80	481	286	103	222	210	145	505	573	85	46/45	EB3-150A	80	150	185	15	8	12
80AFU23.7LA	80	481	286	103	235	246	197	557	625	121	48	EB3-150A	80	150	185	15	8	12

Dimensions-inch

Weight:Lbs

Model	d	A	B	C	D	E	F	G	H	I	WT1 50Hz/60Hz	Elbow (Flange) Set	DN	DB	DC	DD	(n)QTY	WT2
80AFU23.7A	3	18 <sup>15</sup> / <sub>16</sub>	11 <sup>1</sup> / <sub>4</sub>	4 <sup>1</sup> / <sub>16</sub>	8 <sup>3</sup> / <sub>4</sub>	8 <sup>3</sup> / <sub>4</sub>	5 <sup>11</sup> / <sub>16</sub>	19 <sup>7</sup> / <sub>8</sub>	22 <sup>7</sup> / <sub>16</sub>	3 <sup>3</sup> / <sub>8</sub>	101/99	EB3-150A	3	5 <sup>7</sup> / <sub>8</sub>	7 <sup>5</sup> / <sub>16</sub>	<sup>9</sup> / <sub>16</sub>	8	26
80AFU23.7LA	3	18 <sup>15</sup> / <sub>16</sub>	11 <sup>1</sup> / <sub>4</sub>	4 <sup>1</sup> / <sub>16</sub>	9 <sup>1</sup> / <sub>4</sub>	9 <sup>9</sup> / <sub>16</sub>	7 <sup>3</sup> / <sub>4</sub>	21 <sup>15</sup> / <sub>16</sub>	24 <sup>3</sup> / <sub>8</sub>	4 <sup>3</sup> / <sub>4</sub>	106	EB3-150A	3	5 <sup>7</sup> / <sub>8</sub>	7 <sup>5</sup> / <sub>16</sub>	<sup>9</sup> / <sub>16</sub>	8	26

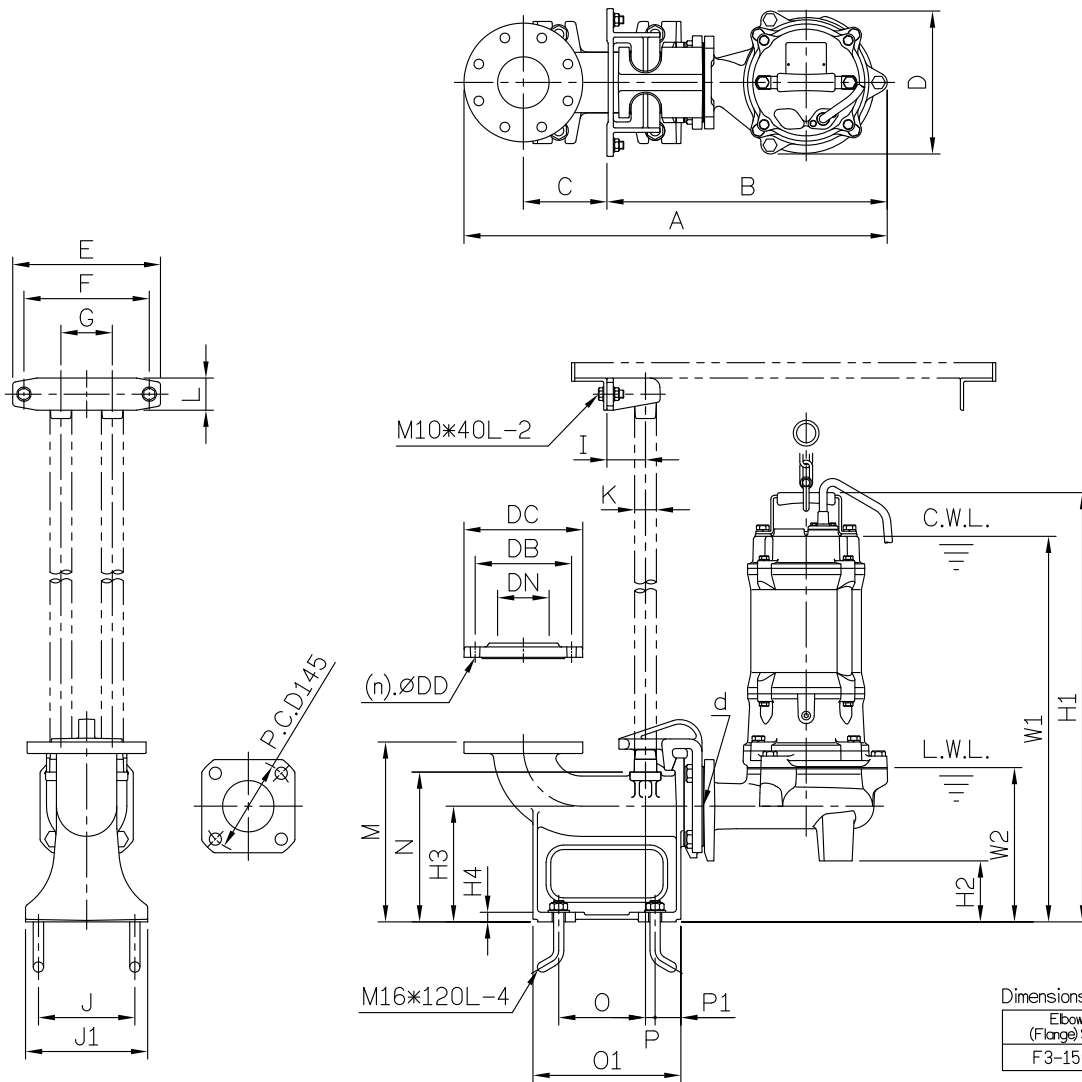
C.W.L.:Continuous Running Water Level WT1:Pump Weight(Without Cable)  
 L.W.L.:Lowest Running Water Level WT2:Elbow Set Weight

**DIMENSIONS**

**No: S3AFU237A3T-00**

**MODEL: 80AFU23.7A & 80AFU23.7LA**

**3Ø**



Flange	
Female Thread	
PT	NPT

Dimensions-mm

Elbow (Flange) Set	DN	DB	DC	DD	(n)QTY
F3-150	80	150	185	15	8

Dimensions-inch

Elbow (Flange) Set	DN	DB	DC	DD	(n)QTY
F3-150	3	5 15/16	7 3/16	9/16	8

Dimensions-mm

Model	d	A	B	C	D	E	F	G	I	J	J1	K	L	M	N	O	O1	P	P1	W1	W2	H1	H2	H3	H4	WT1 50Hz/60Hz	GRS Set	WT2
80AFU23.7A	80	662	439	130	222	230	195	80	60	150	190	1 1/4	50	280	233	135	230	15	40	600	240	668	95	180	15	46/45	T80D	27
80AFU23.7LA	80	662	439	130	235	230	195	80	60	150	190	1 1/4	50	280	233	135	230	15	40	616	256	684	59	180	15	48	T80D	27

Weight:Kg

Dimensions-inch

Model	d	A	B	C	D	E	F	G	I	J	J1	K	L	M	N	O	O1	P	P1	W1	W2	H1	H2	H3	H4	WT1 50Hz/60Hz	GRS Set	WT2
80AFU23.7A	3	26 1/16	17 5/16	5 1/8	8 3/4	9 1/16	7 1/2	3 1/8	2 3/8	5 15/16	7 1/2	1 1/4	2	11	9 3/16	5 1/16	9 1/16	9/16	1 1/16	23 3/8	9 7/16	26 5/16	3 3/4	7 1/16	9/16	101/99	T80D	59
80AFU23.7LA	3	26 1/16	17 5/16	5 1/8	9 1/4	9 1/16	7 1/2	3 1/8	2 3/8	5 15/16	7 1/2	1 1/4	2	11	9 3/16	5 1/16	9 1/16	9/16	1 1/16	24 3/4	10 1/16	26 1/16	2 5/16	7 1/16	9/16	106	T80D	59

Weight:Lbs

C.W.L.:Continuous Running Water Level WT1:Pump Weight(Without Cable)  
L.W.L.:Lowest Running Water Level WT2:GRS Set Weight