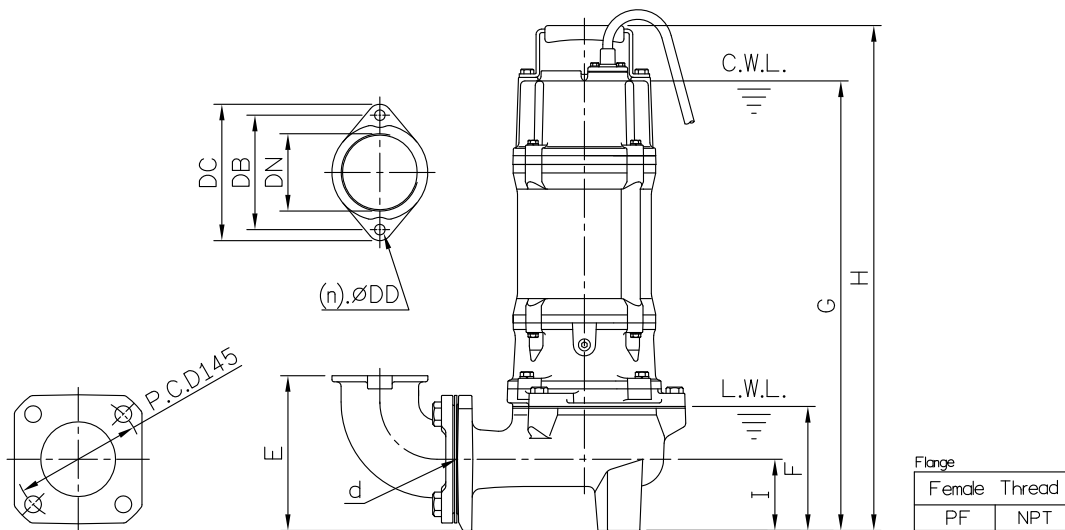
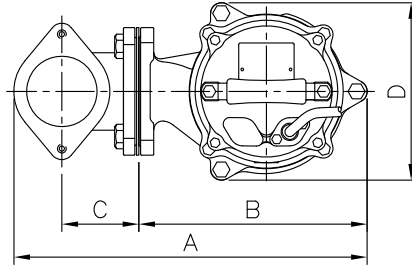


DIMENSIONS

No: S3AFU222010-00

MODEL: 80AFU21.5/22.2 & 80AFU21.5L/22.2L

10



Dimensions—mm

Weight:Kg

Model	d	A	B	C	D	E	F	G	H	I	WT1	Elbow (Flange) Set	DN	DB	DC	DD	(n)QTY	WT2
80AFU21.5	80	397	260	83	202	171	140	511	574	81	35	EB3-130	80	130	155	12	2	5
80AFU22.2	80	397	260	83	202	171	140	538	601	81	38	EB3-130	80	130	155	12	2	5
80AFU21.5L	80	402	265	83	221	210	190	563	626	120	38	EB3-130	80	130	155	12	2	5
80AFU22.2L	80	402	265	83	221	210	190	590	653	120	40	EB3-130	80	130	155	12	2	5

Dimensions—inch

Weight:Lbs

Model	d	A	B	C	D	E	F	G	H	I	WT1	Elbow (Flange) Set	DN	DB	DC	DD	(n)QTY	WT2
80AFU21.5	3	15 ⁵ / ₁₆	10 ¹ / ₄	3 ³ / ₄	7 ⁷ / ₁₆	6 ³ / ₄	5 ¹ / ₂	20 ⁷ / ₁₆	22 ³ / ₁₆	3 ³ / ₁₆	77	EB3-130	3	5 ¹ / ₈	6 ¹ / ₈	1/2	2	11
80AFU22.2	3	15 ⁵ / ₁₆	10 ¹ / ₄	3 ³ / ₄	7 ⁷ / ₁₆	6 ³ / ₄	5 ¹ / ₂	21 ¹ / ₁₆	23 ¹ / ₁₆	3 ³ / ₁₆	84	EB3-130	3	5 ¹ / ₈	6 ¹ / ₈	1/2	2	11
80AFU21.5L	3	15 ⁹ / ₁₆	10 ¹ / ₁₆	3 ³ / ₄	8 ¹ / ₁₆	8 ¹ / ₄	7 ¹ / ₂	22 ³ / ₁₆	24 ⁵ / ₁₆	4 ³ / ₄	84	EB3-130	3	5 ¹ / ₈	6 ¹ / ₈	1/2	2	11
80AFU22.2L	3	15 ⁹ / ₁₆	10 ¹ / ₁₆	3 ³ / ₄	8 ¹ / ₁₆	8 ¹ / ₄	7 ¹ / ₂	23 ¹ / ₄	25 ¹ / ₁₆	4 ³ / ₄	88	EB3-130	3	5 ¹ / ₈	6 ¹ / ₈	1/2	2	11

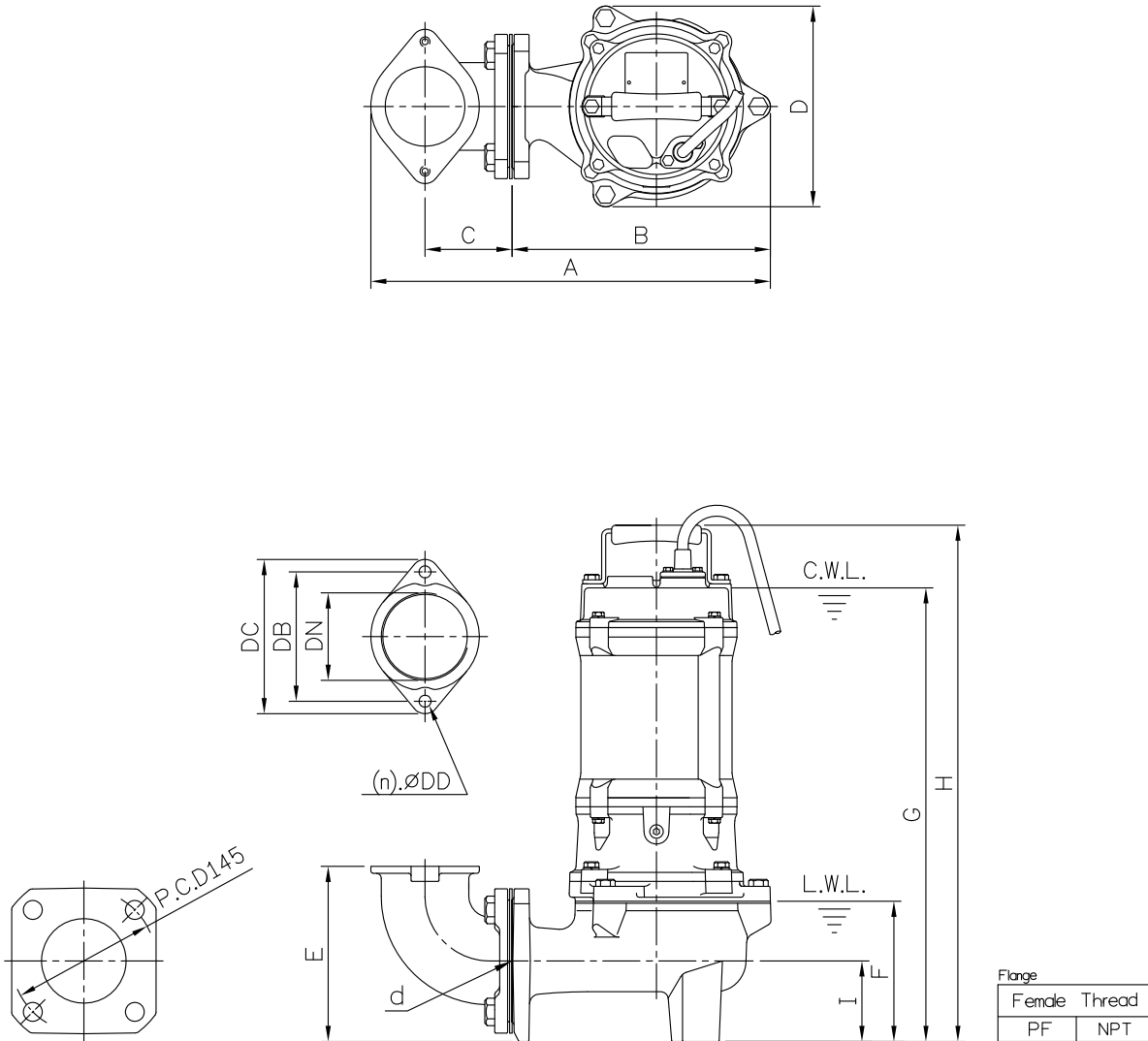
C.W.L.:Continuous Running Water Level WT1:Pump Weight(Without Cable)
L.W.L.:Lowest Running Water Level WT2:Elbow Set Weight

DIMENSIONS

No: S3AFU222030-00

MODEL: 80AFU21.5/22.2 & 80AFU21.5L/22.2L

3Ø



Dimensions—mm

Weight:Kg

Model	d	A	B	C	D	E	F	G	H	I	WT1	Elbow (Flange) Set	DN	DB	DC	DD	(n)QTY	WT2
80AFU21.5	80	397	260	83	202	171	140	456	519	81	32	EB3-130	80	130	155	12	2	5
80AFU22.2	80	397	260	83	202	171	140	456	519	81	34	EB3-130	80	130	155	12	2	5
80AFU21.5L	80	402	265	83	221	210	190	508	571	120	34	EB3-130	80	130	155	12	2	5
80AFU22.2L	80	402	265	83	221	210	190	508	571	120	36	EB3-130	80	130	155	12	2	5

Dimensions—inch

Weight:Lbs

Model	d	A	B	C	D	E	F	G	H	I	WT1	Elbow (Flange) Set	DN	DB	DC	DD	(n)QTY	WT2
80AFU21.5	3	15 ⁵ / ₁₆	10 ¹ / ₄	3 ³ / ₄	7 ⁷ / ₁₆	6 ³ / ₄	5 ¹ / ₂	17 ⁷ / ₁₆	20 ⁷ / ₁₆	3 ³ / ₁₆	71	EB3-130	3	5 ¹ / ₈	6 ¹ / ₈	1/2	2	11
80AFU22.2	3	15 ⁵ / ₁₆	10 ¹ / ₄	3 ³ / ₄	7 ⁷ / ₁₆	6 ³ / ₄	5 ¹ / ₂	17 ⁷ / ₁₆	20 ⁷ / ₁₆	3 ³ / ₁₆	75	EB3-130	3	5 ¹ / ₈	6 ¹ / ₈	1/2	2	11
80AFU21.5L	3	15 ⁹ / ₁₆	10 ³ / ₁₆	3 ³ / ₄	8 ¹ / ₁₆	8 ¹ / ₄	7 ¹ / ₂	20	22 ¹ / ₂	4 ³ / ₄	75	EB3-130	3	5 ¹ / ₈	6 ¹ / ₈	1/2	2	11
80AFU22.2L	3	15 ⁹ / ₁₆	10 ³ / ₁₆	3 ³ / ₄	8 ¹ / ₁₆	8 ¹ / ₄	7 ¹ / ₂	20	22 ¹ / ₂	4 ³ / ₄	79	EB3-130	3	5 ¹ / ₈	6 ¹ / ₈	1/2	2	11

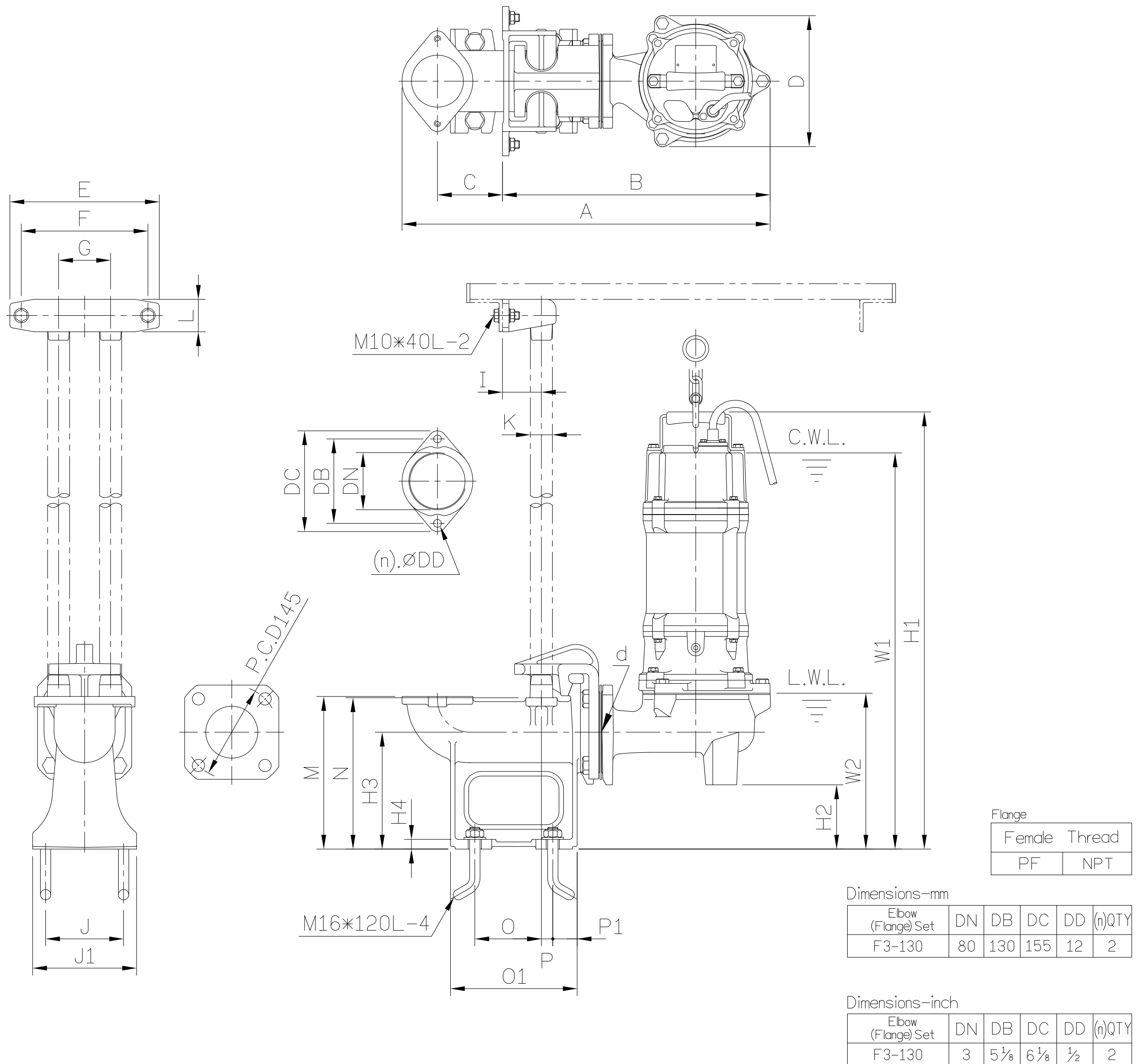
C.W.L.:Continuous Running Water Level WT1:Pump Weight(Without Cable)
 L.W.L.:Lowest Running Water Level WT2:Elbow Set Weight

DIMENSIONS

No:S3AFU22201T-00

MODEL: 80AFU21.5/22.2 & 80AFU21.5L/22.2L

10



Dimensions—mm

Weight:Kg

Model	d	A	B	C	D	E	F	G	I	J	J1	K	L	M	N	O	O1	P	P1	W1	W2	H1	H2	H3	H4	WT1	GRS Set	WT2
80AFU21.5	80	567	412	100	202	230	195	80	60	120	160	1 1/4"	50	235	233	103	195	18	38	610	239	673	99	180	15	35	T2-80	20
80AFU22.2	80	567	412	100	202	230	195	80	60	120	160	1 1/4"	50	235	233	103	195	18	38	637	239	700	99	180	15	38	T2-80	20
80AFU21.5L	80	572	417	100	221	230	195	80	60	120	160	1 1/4"	50	235	233	103	195	18	38	623	250	686	60	180	15	38	T2-80	20
80AFU22.2L	80	572	417	100	221	230	195	80	60	120	160	1 1/4"	50	235	233	103	195	18	38	650	250	713	60	180	15	40	T2-80	20

Dimensions—inch

Weight:Lbs

Model	d	A	B	C	D	E	F	G	I	J	J1	K	L	M	N	O	O1	P	P1	W1	W2	H1	H2	H3	H4	WT1	GRS Set	WT2
80AFU21.5	3	22 5/16	16 1/4	3 15/16	7 15/16	9 1/16	7 11/16	3 1/8	2 3/8	4 3/4	6 5/16	1 1/4	2	9 1/4	9 3/16	4 1/16	7 11/16	1 1/16	1 1/2	24	9 7/16	26 1/2	3 7/8	7 1/16	9/16	77	T2-80	43
80AFU22.2	3	22 5/16	16 1/4	3 15/16	7 15/16	9 1/16	7 11/16	3 1/8	2 3/8	4 3/4	6 5/16	1 1/4	2	9 1/4	9 3/16	4 1/16	7 11/16	1 1/16	1 1/2	25 1/16	9 7/16	27 9/16	3 7/8	7 1/16	9/16	84	T2-80	43
80AFU21.5L	3	22 1/2	16 7/16	3 15/16	8 11/16	9 1/16	7 11/16	3 1/8	2 3/8	4 3/4	6 5/16	1 1/4	2	29 1/4	9 3/16	4 1/16	7 11/16	1 1/16	1 1/2	24 1/2	9 13/16	27	2 3/8	7 1/16	9/16	84	T2-80	43
80AFU22.2L	3	22 1/2	16 7/16	3 15/16	8 11/16	9 1/16	7 11/16	3 1/8	2 3/8	4 3/4	6 5/16	1 1/4	2	9 1/4	9 3/16	4 1/16	7 11/16	1 1/16	1 1/2	25 9/16	9 13/16	28 1/16	2 3/8	7 1/16	9/16	88	T2-80	43

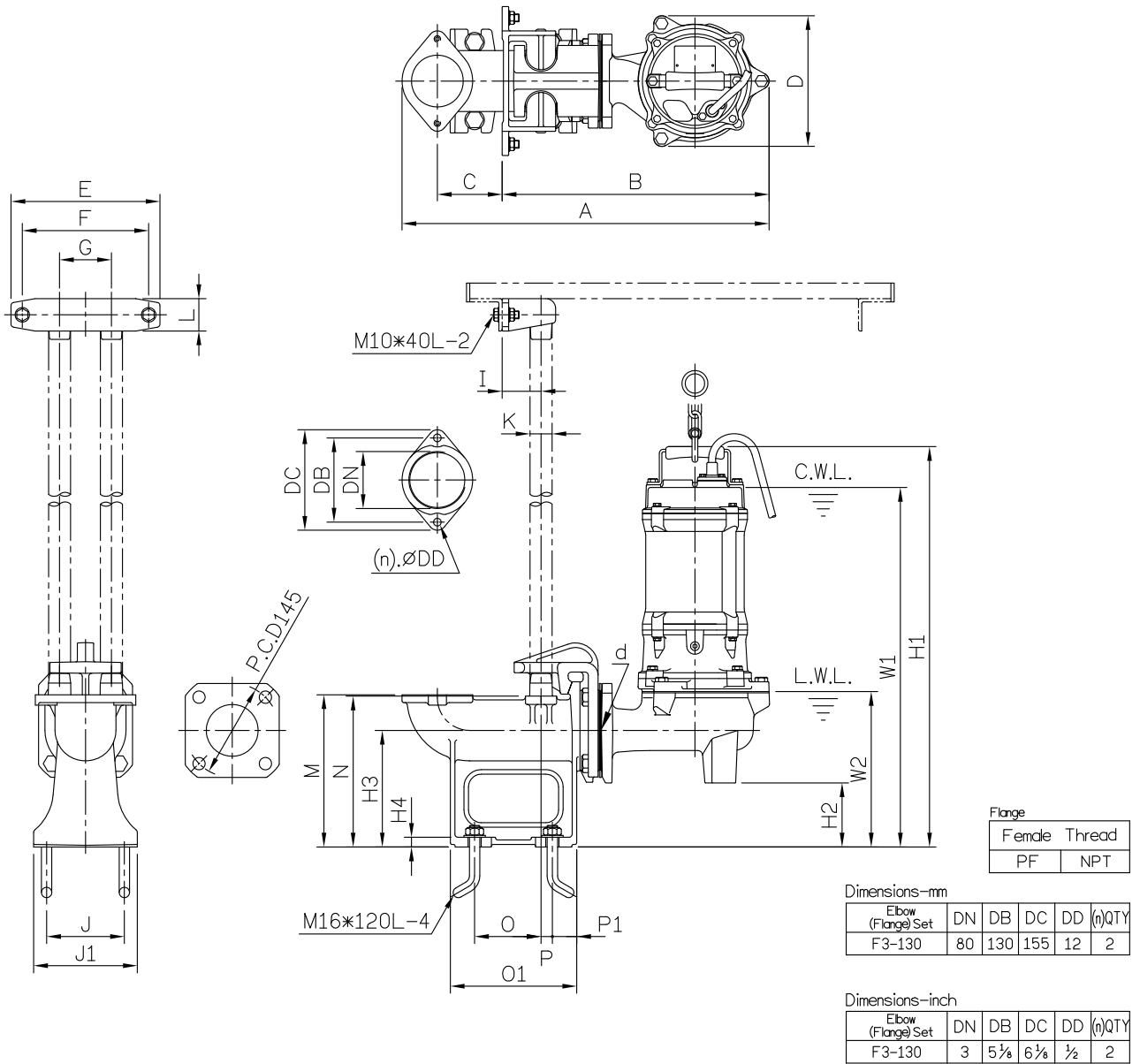
C.W.L.:Continuous Running Water Level WT1:Pump Weight(Without Cable)
L.W.L.:Lowest Running Water Level WT2:GRS Set Weight

DIMENSIONS

No:S3AFU22203T-00

MODEL: 80AFU21.5/22.2 & 80AFU21.5L/22.2L

30



Dimensions-mm

Weight:Kg

Model	d	A	B	C	D	E	F	G	I	J	J1	K	L	M	N	O	O1	P	P1	W1	W2	H1	H2	H3	H4	WT1	GRS Set	WT2
80AFU21.5	80	567	412	100	202	230	195	80	60	120	160	1 1/4"	50	235	233	103	195	18	38	555	239	618	99	180	15	32	T2-80	20
80AFU22.2	80	567	412	100	202	230	195	80	60	120	160	1 1/4"	50	235	233	103	195	18	38	555	239	618	99	180	15	34	T2-80	20
80AFU21.5L	80	572	417	100	221	230	195	80	60	120	160	1 1/4"	50	235	233	103	195	18	38	568	250	631	60	180	15	34	T2-80	20
80AFU22.2L	80	572	417	100	221	230	195	80	60	120	160	1 1/4"	50	235	233	103	195	18	38	568	250	631	60	180	15	36	T2-80	20

Dimensions-inch

Weight:Lbs

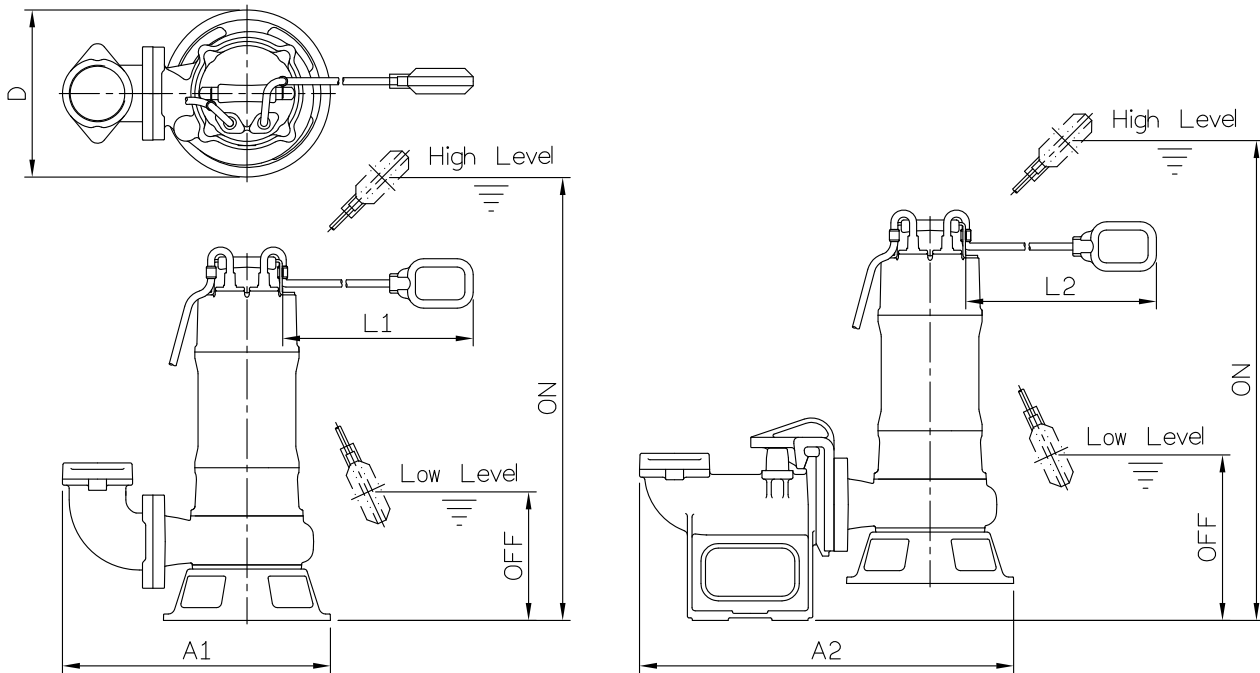
Model	d	A	B	C	D	E	F	G	I	J	J1	K	L	M	N	O	O1	P	P1	W1	W2	H1	H2	H3	H4	WT1	GRS Set	WT2
80AFU21.5	3	22 3/16	16 1/4	3 15/16	7 15/16	9 1/16	7 1/16	3 3/8	2 3/8	4 3/4	6 5/16	1 1/4	2	9 3/4	9 3/16	4 1/16	7 1/16	1 1/16	1 1/2	21 7/8	9 1/16	24 3/16	3 3/8	7 1/16	5/16	71	T2-80	43
80AFU22.2	3	22 3/16	16 1/4	3 15/16	7 15/16	9 1/16	7 1/16	3 3/8	2 3/8	4 3/4	6 5/16	1 1/4	2	9 3/4	9 3/16	4 1/16	7 1/16	1 1/16	1 1/2	21 7/8	9 1/16	24 3/16	3 3/8	7 1/16	5/16	75	T2-80	43
80AFU21.5L	3	22 1/2	16 1/8	3 15/16	8 1/2	9 1/16	7 1/16	3 3/8	2 3/8	4 3/4	6 5/16	1 1/4	2	9 3/4	9 3/16	4 1/16	7 1/16	1 1/16	1 1/2	22 3/8	9 1/16	24 3/16	2 3/8	7 1/16	5/16	75	T2-80	43
80AFU22.2L	3	22 1/2	16 1/8	3 15/16	8 1/2	9 1/16	7 1/16	3 3/8	2 3/8	4 3/4	6 5/16	1 1/4	2	9 3/4	9 3/16	4 1/16	7 1/16	1 1/16	1 1/2	22 3/8	9 1/16	24 3/16	2 3/8	7 1/16	5/16	79	T2-80	43

C.W.L.:Continuous Running Water Level WT1:Pump Weight(Without Cable)
L.W.L.:Lowest Running Water Level WT2:GRS Set Weight

DIMENSIONS

No: SOAF00000F-00

Float Switch Pumps Model



Model	Pump Only														With GRS							
	Dimensions-mm					Weight-kg		Dimensions-inch					Weight-lb		Dimensions-mm				Dimensions-inch			
	A1	D	L1	ON	OFF	WT1 50Hz/60Hz	WT2	A1	D	L1	ON	OFF	WT1 50Hz/60Hz	WT2	A2	L2	ON	OFF	A2	L2	ON	OFF
50AFU2.4F 1Ø	235	154	380	570	240	19.5	0.5	9 3/4	6 1/8	14 15/16	22 7/16	9 7/16	43	1	415	380	589	259	16 5/16	14 15/16	23 3/16	10 3/16
50AFU2.8F 1Ø	235	154	380	570	240	20.5	0.5	9 3/4	6 1/8	14 15/16	22 7/16	9 7/16	45	1	415	380	589	259	16 5/16	14 15/16	23 3/16	10 3/16
50AFU2.4LF 1Ø	307	164	380	600	270	20.5	3	12 1/16	6 7/16	14 15/16	23 3/8	10 5/8	45	6.5	515	380	685	355	20 3/4	14 15/16	26 5/16	14
50AFU2.8LF 1Ø	307	164	380	600	270	22.5	3	12 1/16	6 7/16	14 15/16	23 3/8	10 5/8	49.5	6.5	515	380	685	355	20 3/4	14 15/16	26 5/16	14
50AFU21.5F 1Ø	288	202	455	605	155	33.5	0.5	11 1/16	7 15/16	17 15/16	23 3/16	6 1/8	74	1	582	455	632	182	22 3/16	17 15/16	24 7/8	7 3/16
80AFU21.5F 1Ø	397	202	455	645	195	35.5	5	15 1/2	7 15/16	17 15/16	25 3/8	7 11/16	78	11	567	455	744	294	22 3/16	17 15/16	29 1/8	11 1/16
80AFU22.2F 1Ø	397	202	455	680	230	38.5	5	15 1/2	7 15/16	17 15/16	26 3/8	9 1/16	85	11	567	455	779	329	22 3/16	17 15/16	30 1/4	12 3/16
80AFU21.5LF 1Ø	402	221	455	695	245	38.5	5	15 1/2	8 1/16	17 15/16	27 3/8	9 5/8	85	11	572	455	755	305	22 3/16	17 15/16	29 3/4	12
80AFU22.2LF 1Ø	402	221	455	730	280	40.5	5	15 1/2	8 1/16	17 15/16	28 3/4	11	89	11	572	455	790	340	22 3/16	17 15/16	31 1/4	13 3/8
80AFP21.5F 1Ø	417	260	455	645	195	37.5	5	16 1/16	10 3/4	17 15/16	25 3/8	7 11/16	83	11	582	455	702	252	22 3/16	17 15/16	27 5/8	9 15/16
80AFP22.2F 1Ø	417	260	455	680	230	40.5	5	16 1/16	10 3/4	17 15/16	26 3/4	9 1/16	89	11	582	455	737	287	22 3/16	17 15/16	29	11 1/16
50AFU2.4F 3Ø	235	154	380	570	240	19	0.5	9 3/4	6 1/8	14 15/16	22 7/16	9 7/16	42	1	415	380	589	259	16 5/16	14 15/16	23 3/16	10 3/16
50AFU2.8F 3Ø	235	154	380	570	240	20	0.5	9 3/4	6 1/8	14 15/16	22 7/16	9 7/16	44	1	415	380	589	259	16 5/16	14 15/16	23 3/16	10 3/16
50AFU2.4LF 3Ø	307	164	380	600	270	20	3	12 1/16	6 7/16	14 15/16	23 3/8	10 5/8	44	6.5	515	380	685	355	20 3/4	14 15/16	26 5/16	14
50AFU2.8LF 3Ø	307	164	380	600	270	22	3	12 1/16	6 7/16	14 15/16	23 3/8	10 5/8	48.5	6.5	515	380	685	355	20 3/4	14 15/16	26 5/16	14
50AFU21.5F 3Ø	288	202	510	437	149	31.5	0.5	11 1/16	7 15/16	20 1/16	17 15/16	5 7/8	69.5	1	582	510	464	176	22 3/16	20 1/16	18 1/4	6 15/16
80AFU21.5F 3Ø	397	202	510	477	189	34.5	5	15 1/2	7 15/16	20 1/16	18 3/4	7 7/16	76	11	567	510	576	288	22 3/16	20 1/16	22 1/4	11 1/16
80AFU22.2F 3Ø	397	202	510	477	189	36.5	5	15 1/2	7 15/16	20 1/16	18 3/4	7 7/16	80.5	11	567	510	576	288	22 3/16	20 1/16	22 1/4	11 1/16
80AFU21.5LF 3Ø	402	221	510	527	239	36.5	5	15 1/2	8 1/16	20 1/16	20 3/4	9 7/16	80.5	11	572	510	587	299	22 3/16	20 1/16	23 3/8	11 3/4
80AFU22.2LF 3Ø	402	221	510	527	239	38.5	5	15 1/2	8 1/16	20 1/16	20 3/4	9 7/16	85	11	572	510	587	299	22 3/16	20 1/16	23 3/8	11 3/4
80AFP21.5F 3Ø	417	260	510	620	250	35.5	5	16 1/16	10 3/4	20 1/16	24 7/16	9 13/16	78	11	582	510	677	307	22 3/16	20 1/16	26 5/8	12 3/16
80AFP22.2F 3Ø	417	260	510	620	250	37.5	5	16 1/16	10 3/4	20 1/16	24 7/16	9 13/16	83	11	582	510	677	307	22 3/16	20 1/16	26 5/8	12 3/16
50AFU4.4F 1Ø	347	204	470	750	200	30.5	3	13 3/16	8 3/16	18 1/2	29 1/2	7 7/8	67	6.5	555	470	825	275	21 1/8	18 1/2	32 1/2	10 13/16
50AFU4.8F 1Ø	347	204	470	750	200	30.5	3	13 3/16	8 3/16	18 1/2	29 1/2	7 7/8	67	6.5	555	470	825	275	21 1/8	18 1/2	32 1/2	10 13/16
80AFU41.5F 1Ø	447	255	455	780	300	47.5	5	17 3/8	10 1/16	17 15/16	30 3/16	11 13/16	105	11	612	455	818	338	24 3/8	17 15/16	32 3/16	13 3/16
80AFP41.5F 1Ø	474	280	455	727	247	47.5/46.5	5	18 1/16	11 1/16	17 15/16	28 3/8	9 3/4	105/102.5	11	639	455	776	296	25 3/16	17 15/16	30 3/16	11 5/8
50AFU4.4F 3Ø	347	204	470	750	200	29	3	13 3/16	8 3/16	18 1/2	29 1/2	7 7/8	64	6.5	555	470	825	275	21 1/8	18 1/2	32 1/2	10 13/16
50AFU4.8F 3Ø	347	204	470	750	200	30	3	13 3/16	8 3/16	18 1/2	29 1/2	7 7/8	66	6.5	555	470	825	275	21 1/8	18 1/2	32 1/2	10 13/16
80AFU41.5F 3Ø	447	255	510	770	280	49.5	5	17 3/8	10 1/16	20 1/16	30 3/16	11	109	11	612	510	808	318	24 3/8	20 1/16	31 1/8	12 1/2
80AFP41.5F 3Ø	474	280	510	717	227	49.5	5	18 1/16	11 1/16	20 1/16	28 3/4	8 15/16	109	11	639	510	766	276	25 3/16	20 1/16	30 3/16	10 7/8

WT1:Pump Weight(including float switch)
WT2:Elbow Set Weight